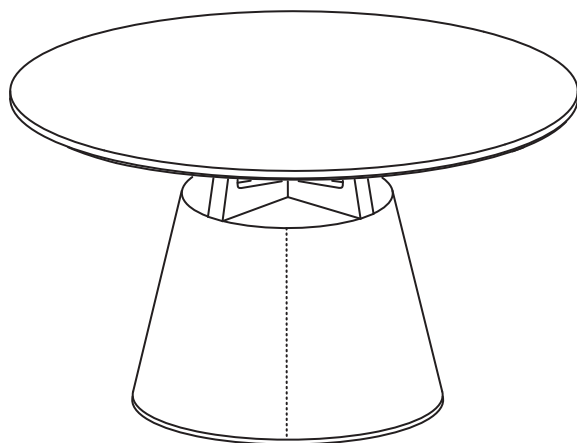


UNITY

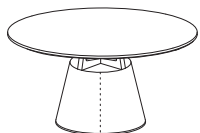
C05B0803. / C05B0806.

Installation Instruction

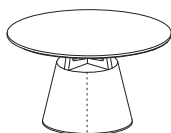


CAMERICH

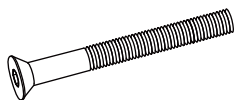
C05B0803.



C05B0806.

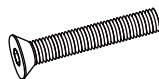


M8X70mm



4X

M8X50mm

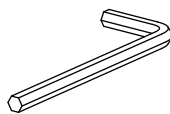


8X

M10X40mm



4X



M5

