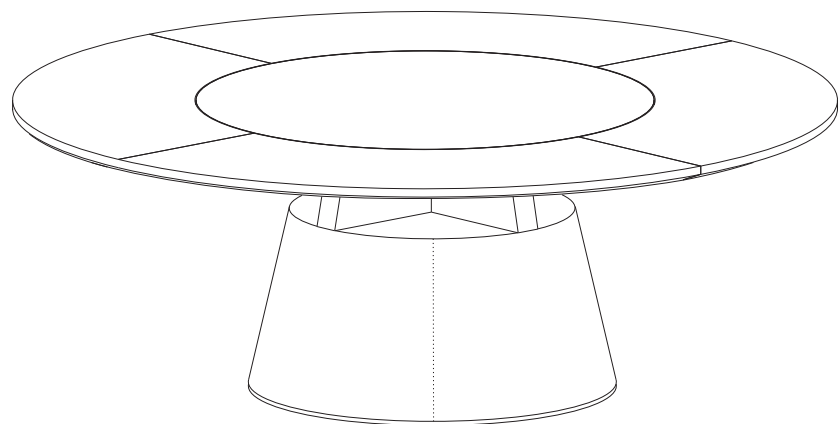


CAMRICH

北京全福凯旋家具有限公司
Beijing Triumph Furniture Co.,Ltd.

北京市通州区大杜社101103
DaDushe, TongZhou District, Beijing, China
Tel:86-10-61586106
www.camerich.com E-mail:info@camerich.com



CAMRICH

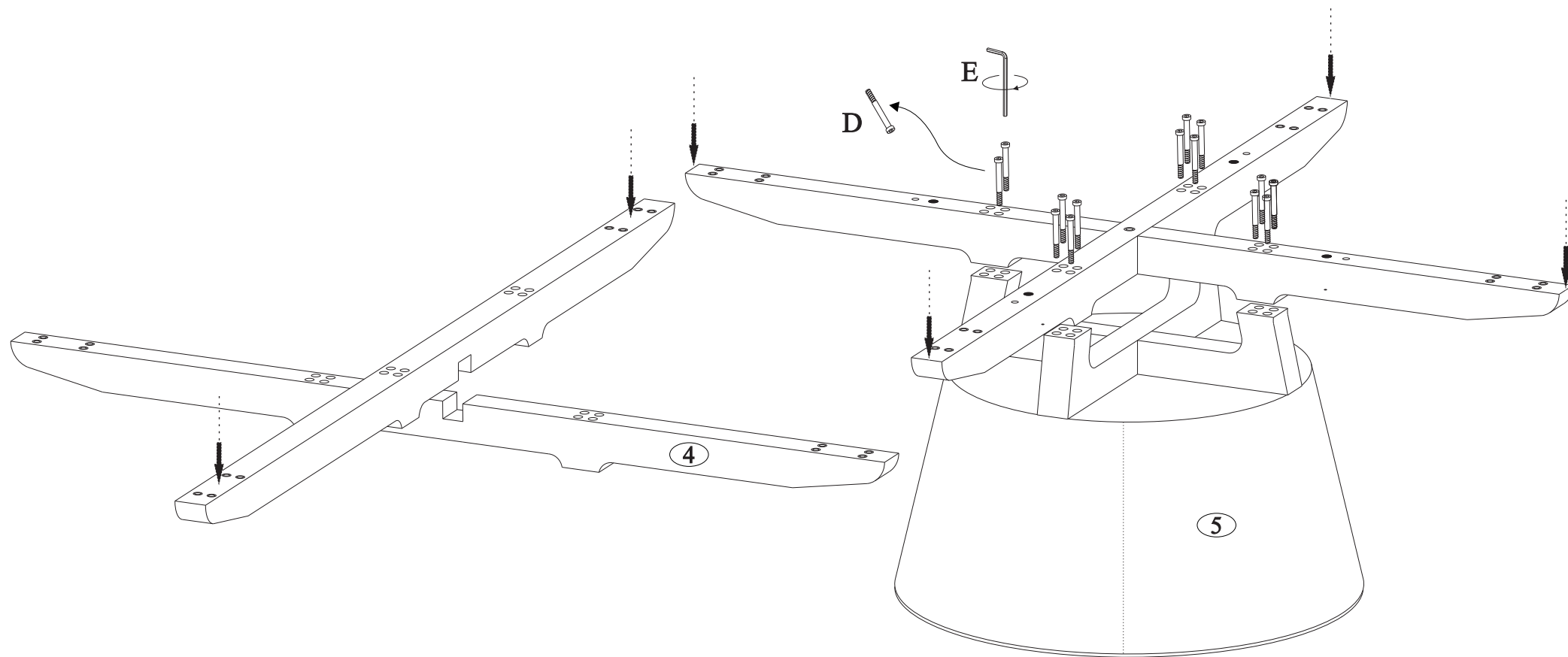
安装示意图

Install Instruction

UNITY-01/02
C05B0801./02

C05B0801/02

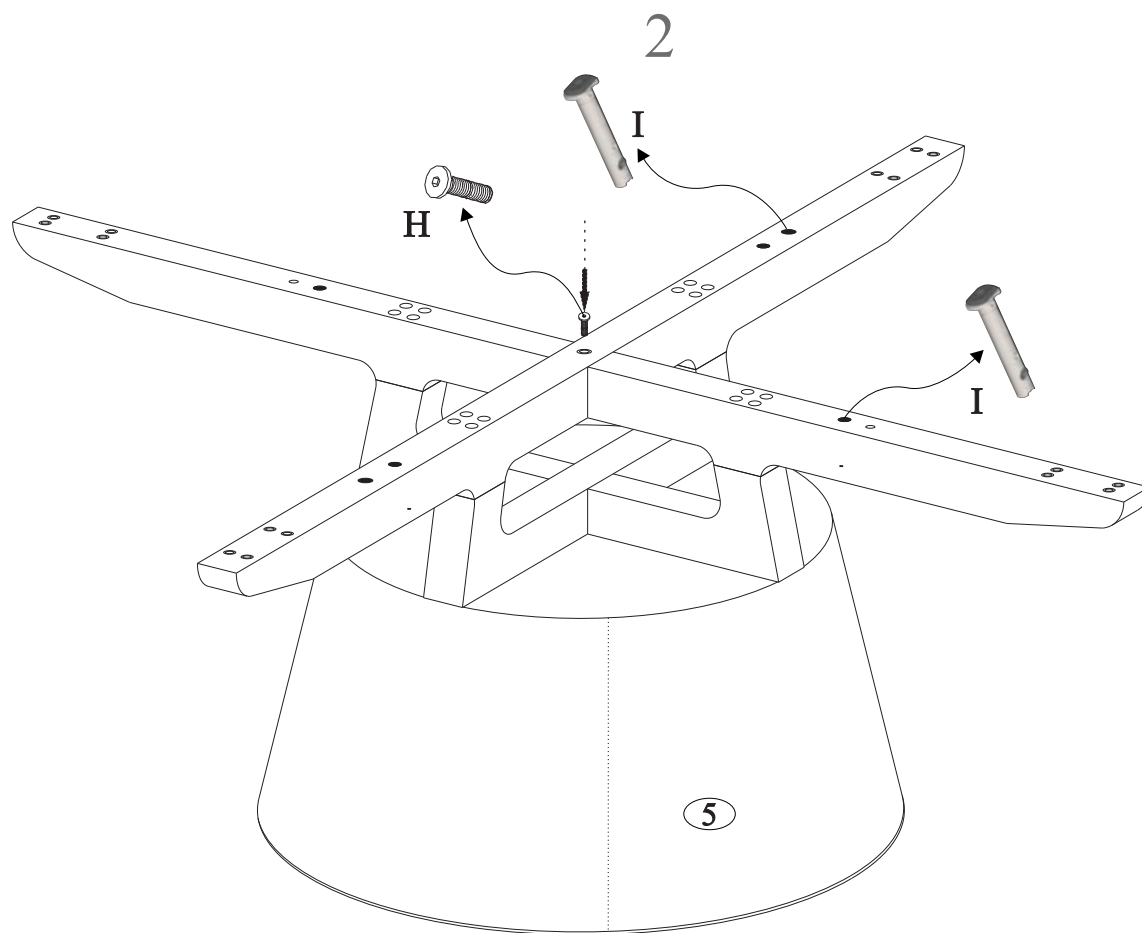
1



M8*20 Connection Part Ø12*40 M8*110 M5 M6 M10 Wrench M8*50 Lazy Swan Height Adjuster M8 Adjust Shim

A B C D E F G H I J K

C05B0801/02

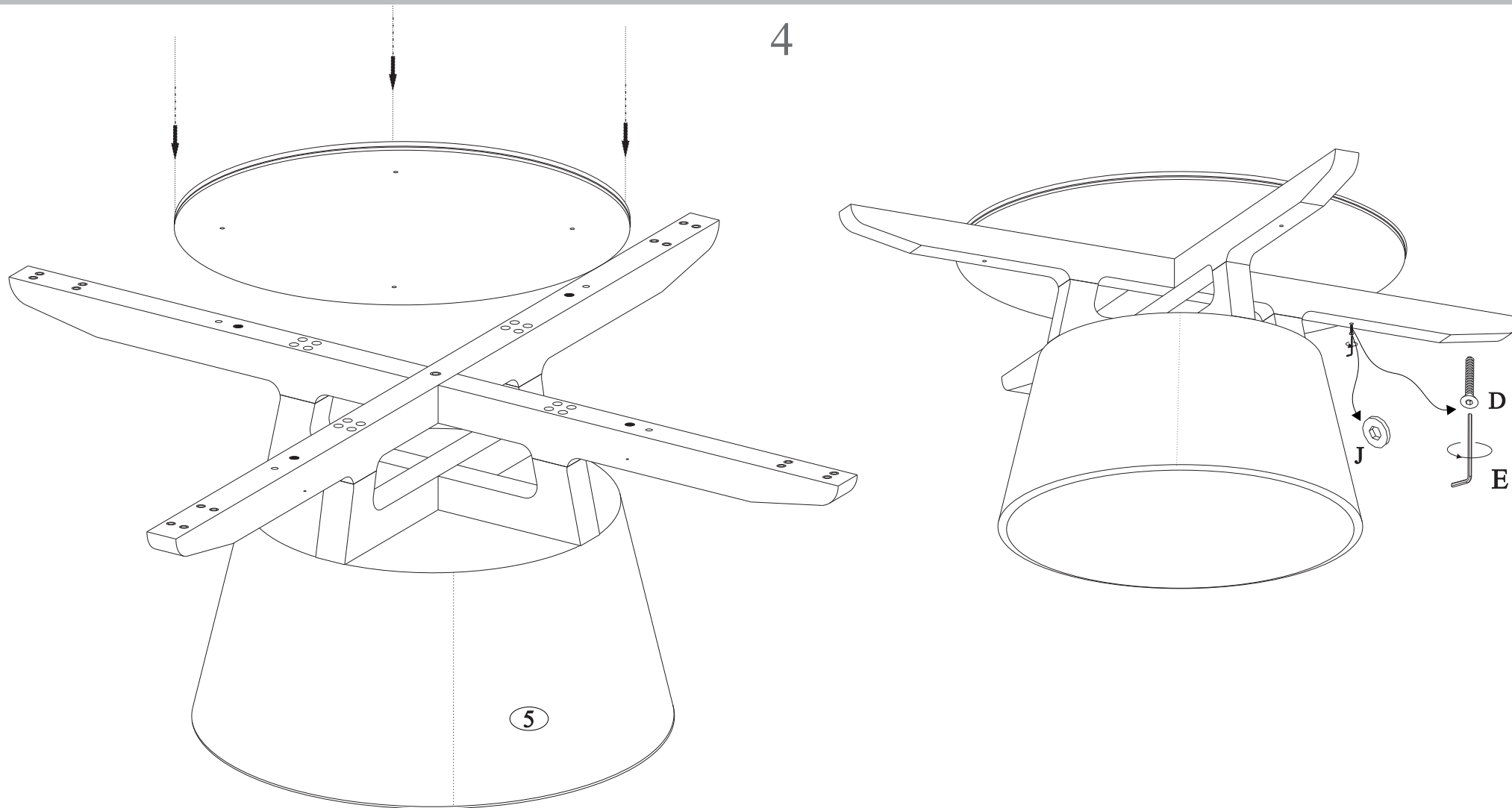





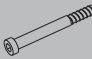






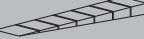
M8*20	Connection Part	Ø12*40	M8*110	M5	M6	M10Wrench	M8*50	Lazy Suan Height Adjuster	M8	Adjust Shim
-------	-----------------	--------	--------	----	----	-----------	-------	---------------------------	----	-------------

A	B	C	D	E	F	G	H	I	J	K
---	---	---	---	---	---	---	---	---	---	---

C05B0801/02

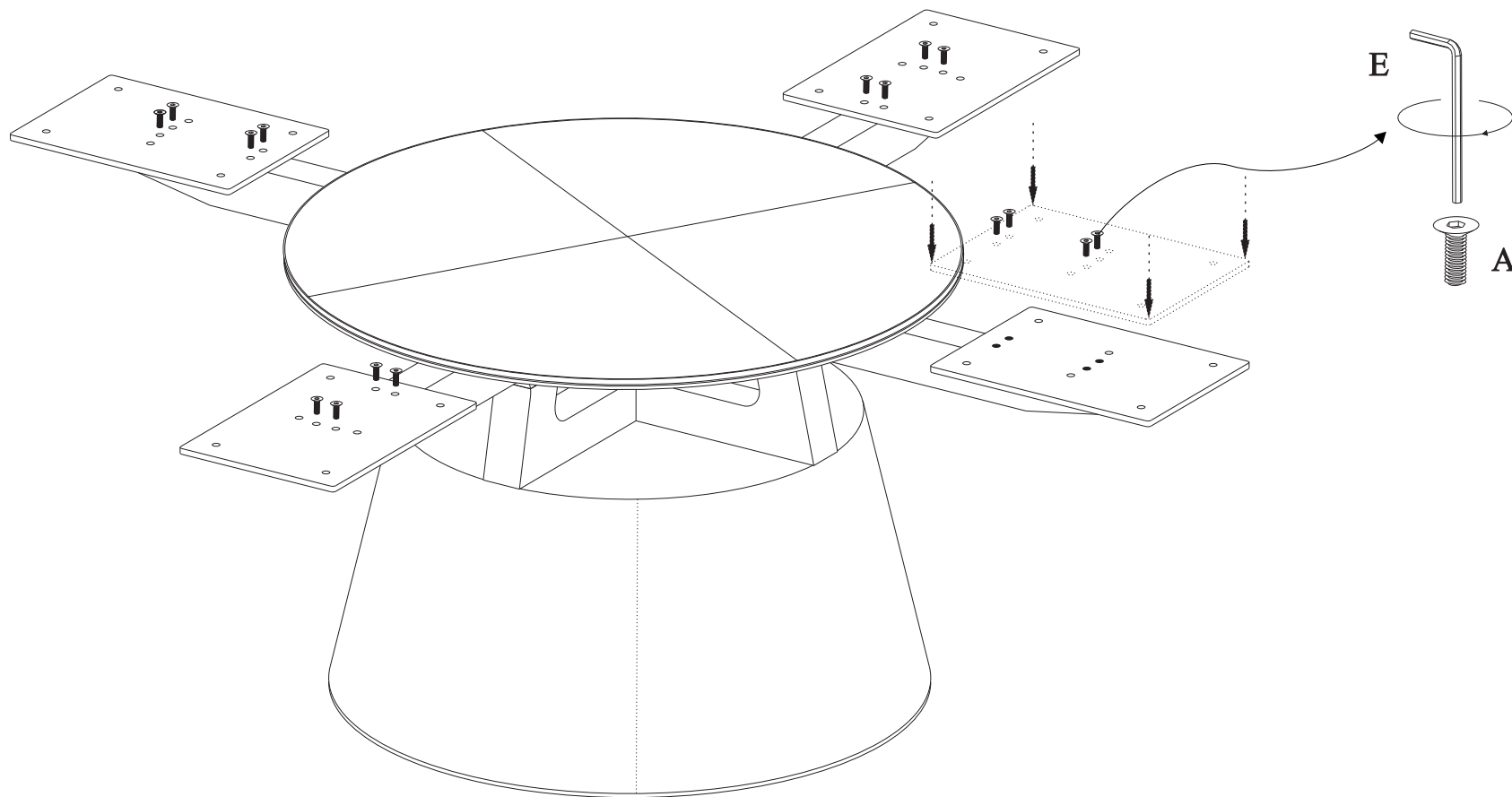
4



										
M8*20	Connection Part	Ø12*40	M8*110	M5	M6	M10Wrench	M8*50	Lazy Suan Height Adjuster	M8	Adjust Shim
A	B	C	D	E	F	G	H	I	J	K

C05B0801/02

5

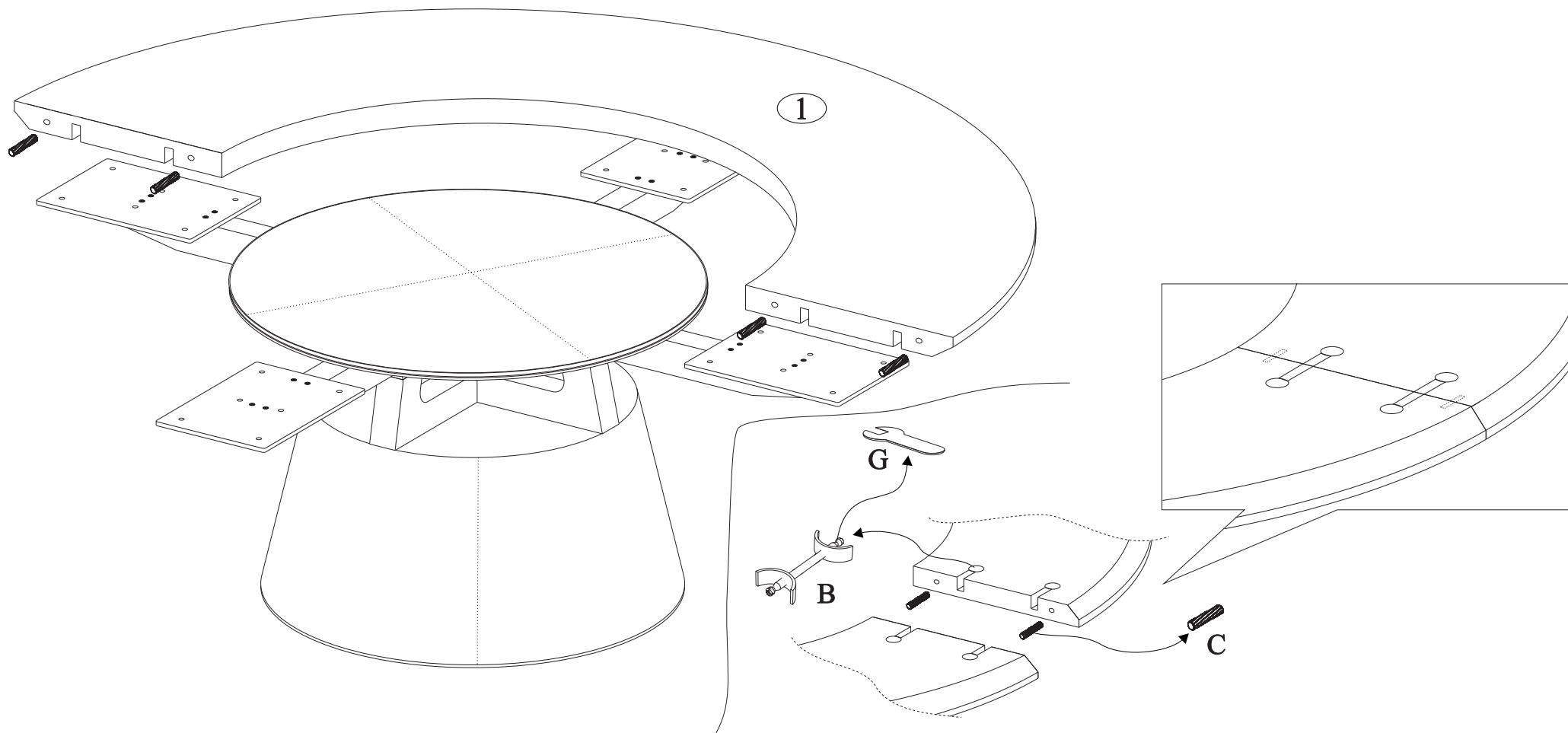





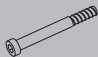






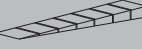
M8*20	Connection Part	Ø12*40	M8*110	M5	M6	M10Wrench	M8*50	Lazy Swan Height Adjuster	M8	Adjust Shim
-------	-----------------	--------	--------	----	----	-----------	-------	---------------------------	----	-------------

A	B	C	D	E	F	G	H	I	J	K
---	---	---	---	---	---	---	---	---	---	---

C05B0801/02

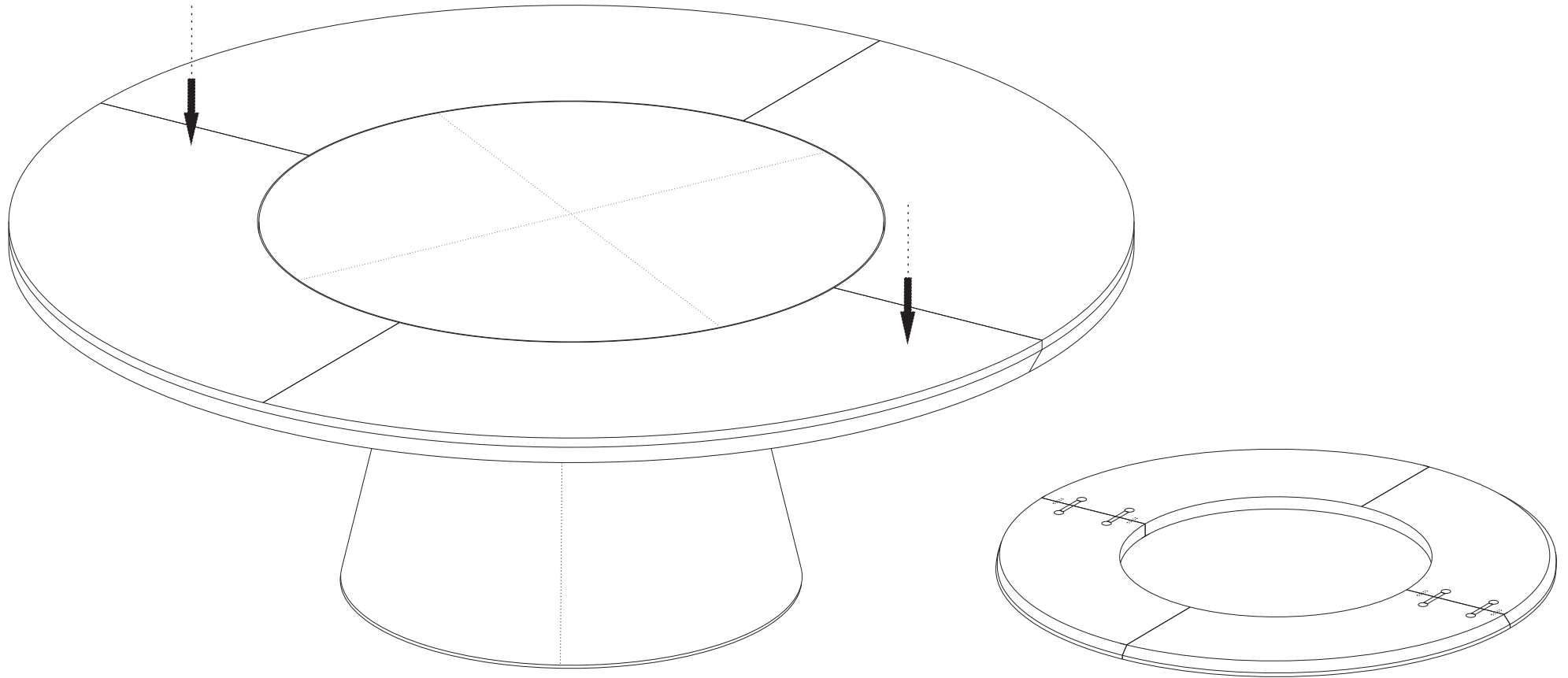
6



										
M8*20	Connection Part	Ø12*40	M8*110	M5	M6	M10Wrench	M8*50	Lazy Suan Height Adjuster	M8	Adjust Shim
A	B	C	D	E	F	G	H	I	J	K

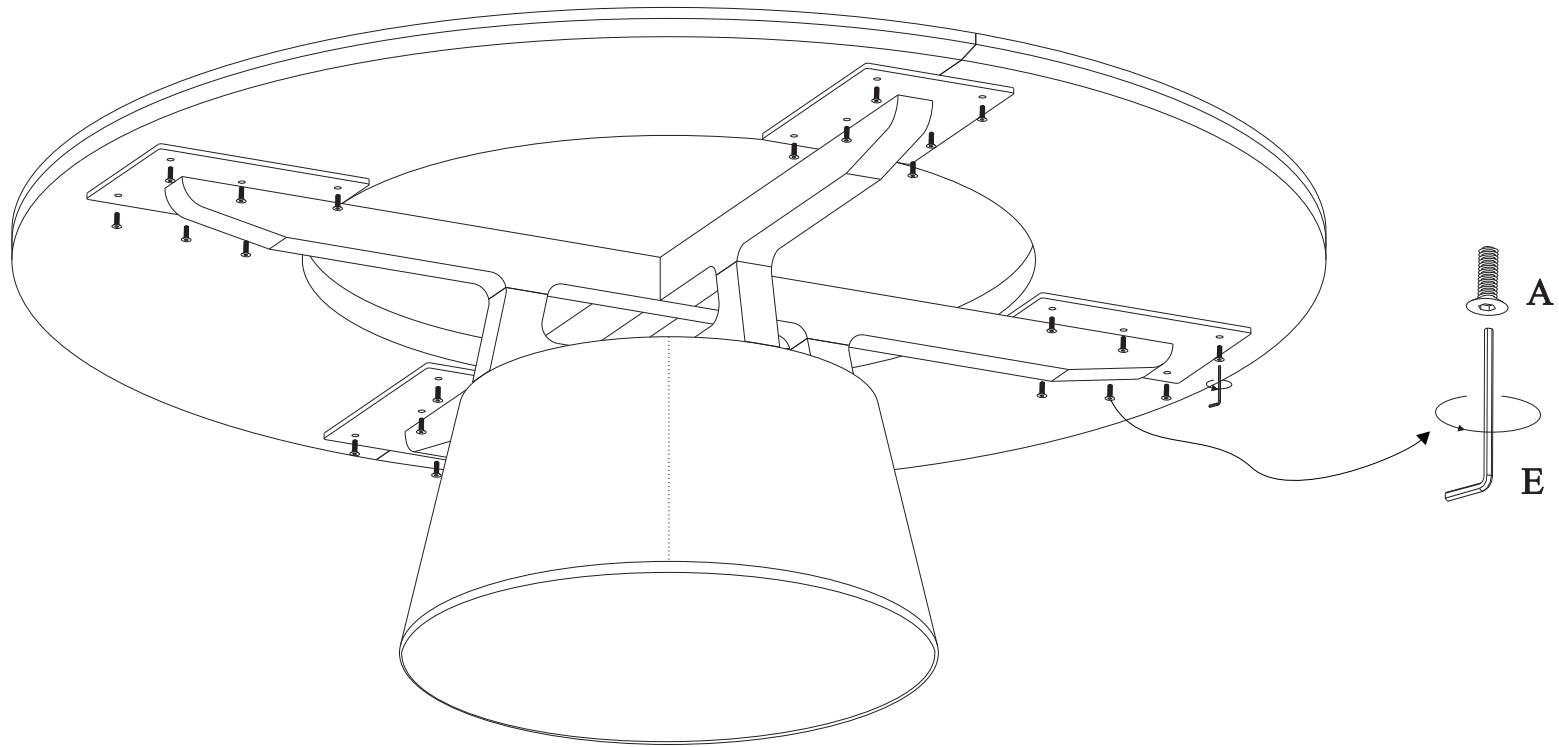
C05B0801/02











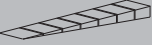
7

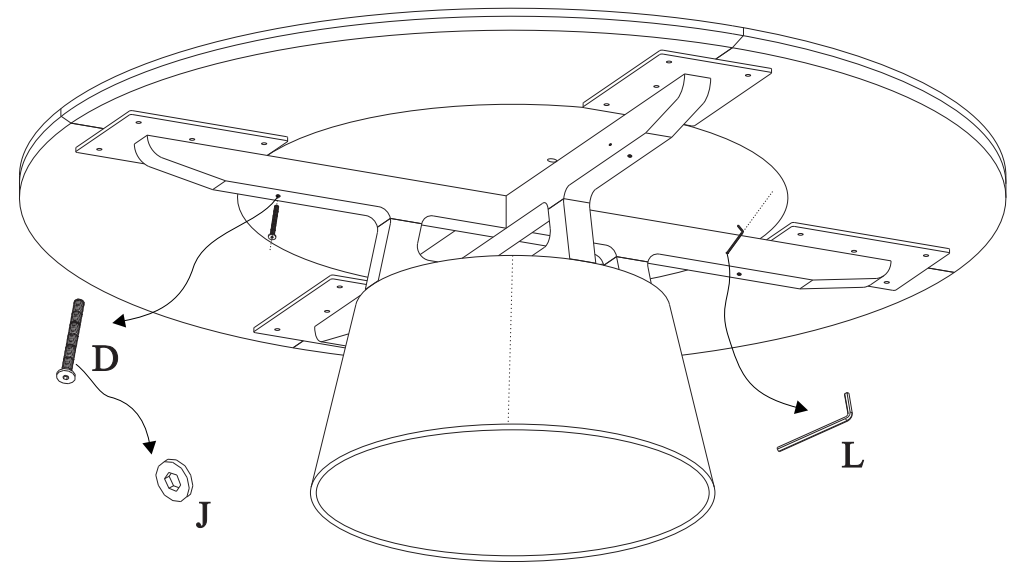
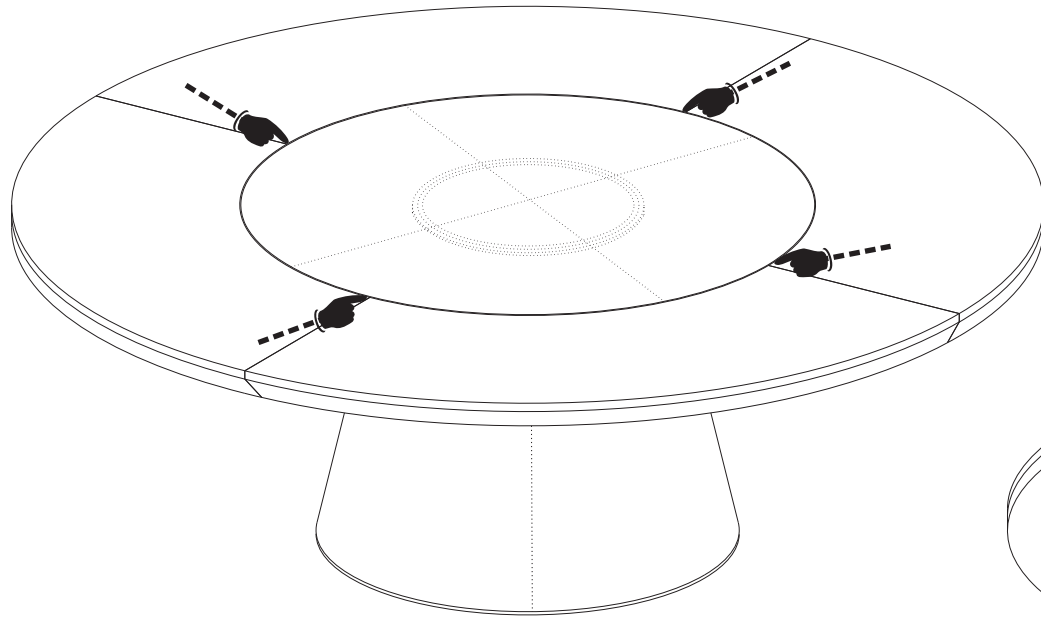












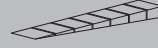
M8*20 Connection Part Ø12*40 M8*110 M5 M6 M10Wrench M8*50 Lazy Suan Height Adjuster M8 Adjust Shim

A B C D E F G H I J K



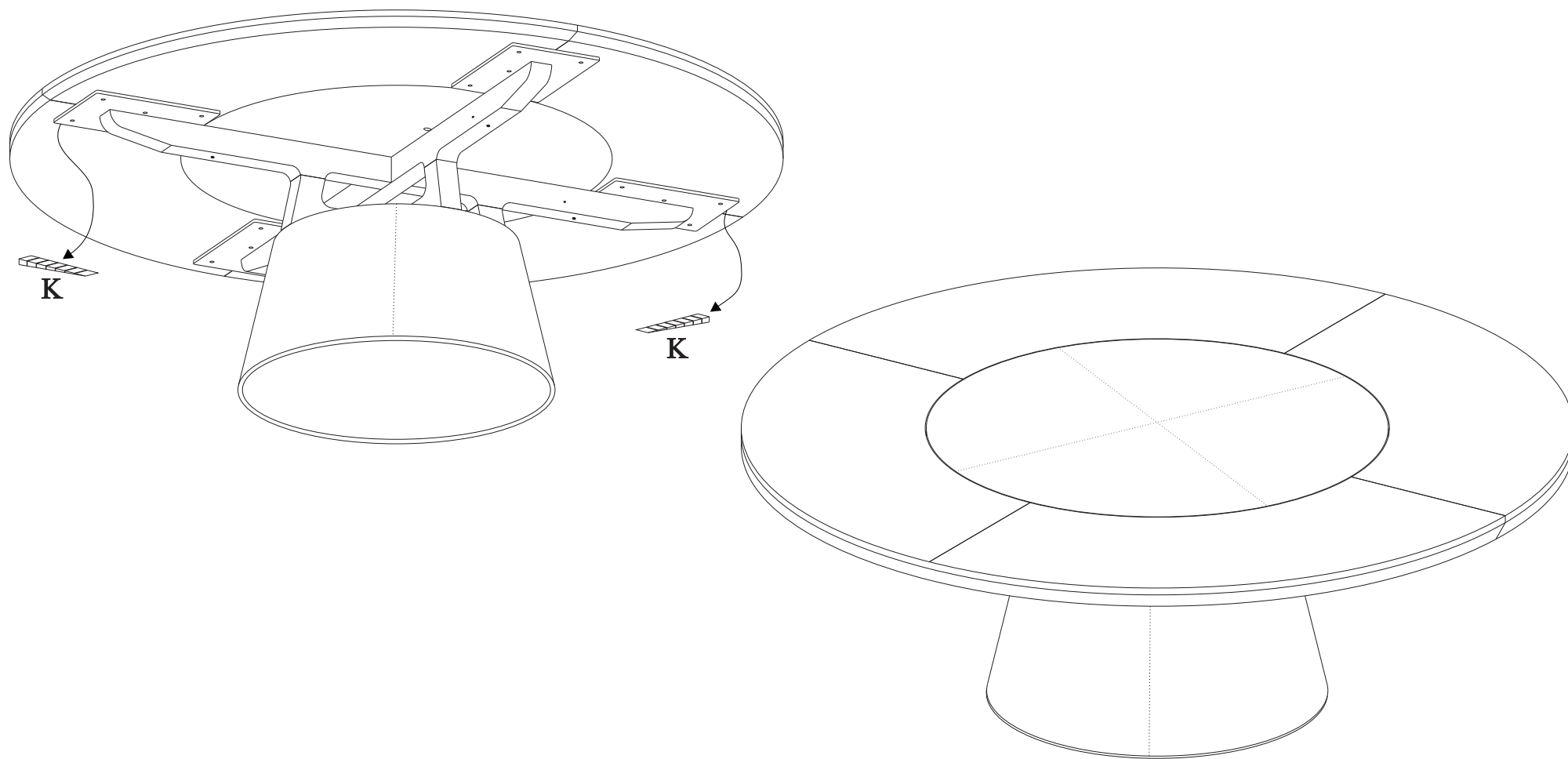
										
M8*20	Connection Part	Ø12*40	M8*110	M5	M6	M10Wrench	M8*50	Lazy Swan Height Adjuster	M8	Adjust Shim
A	B	C	D	E	F	G	H	I	J	K



										
M8*20	Connection Part	Ø12*40	M8*110	M5	M6	M10Wrench	M8*50	Lazy Suan Height Adjuster	M8	Adjust Shim
A	B	C	D	E	F	G	H	I	J	K

C05B0801/02

10



M8*20	Connection Part	Ø12*40	M8*110	M5	M6	M10Wrench	M8*50	Lazy Swan Height Adjuster	M8	Adjust Shim
-------	-----------------	--------	--------	----	----	-----------	-------	---------------------------	----	-------------

A	B	C	D	E	F	G	H	I	J	K
---	---	---	---	---	---	---	---	---	---	---