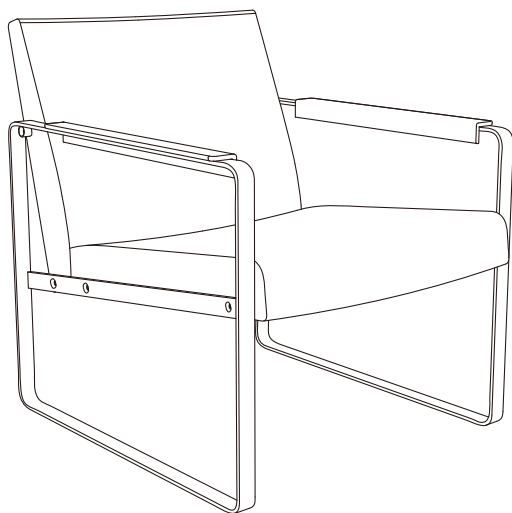


LEMAN SMALL

C02D1000.

Installation Instruction

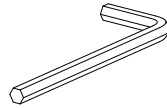


CAMERICH

M8X30mm



8X



M5

