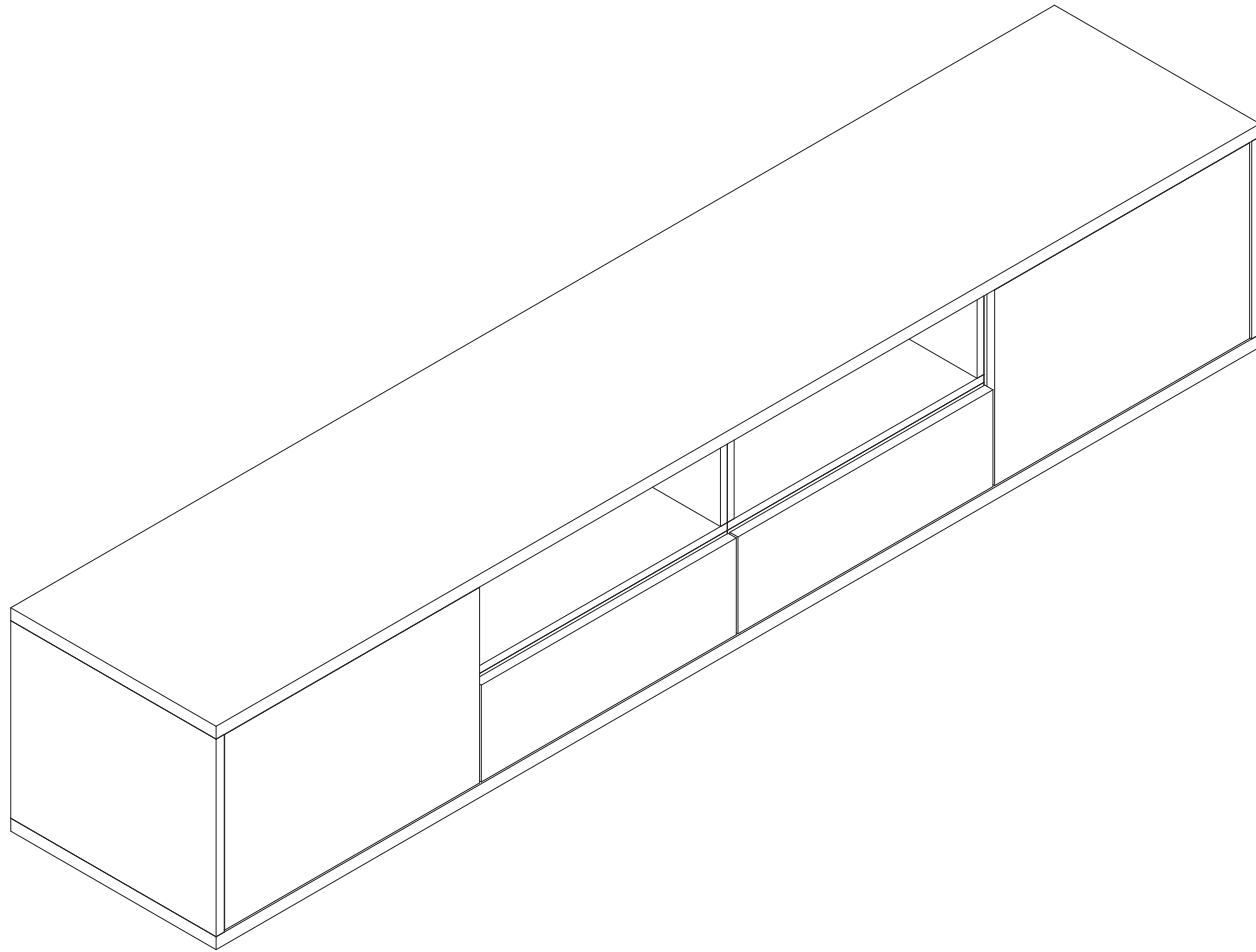


PIXEL-03



A M4 × 16 = 36pcs

B M4 × 30 = 6pcs

C M4 × 25 = 22pcs

D M4 × 30 = 6pcs

E 8 × 20 = 22pcs

F 8 × 40 = 8pcs

G L400 = 2pcs

H M4 × 35 = 5pcs

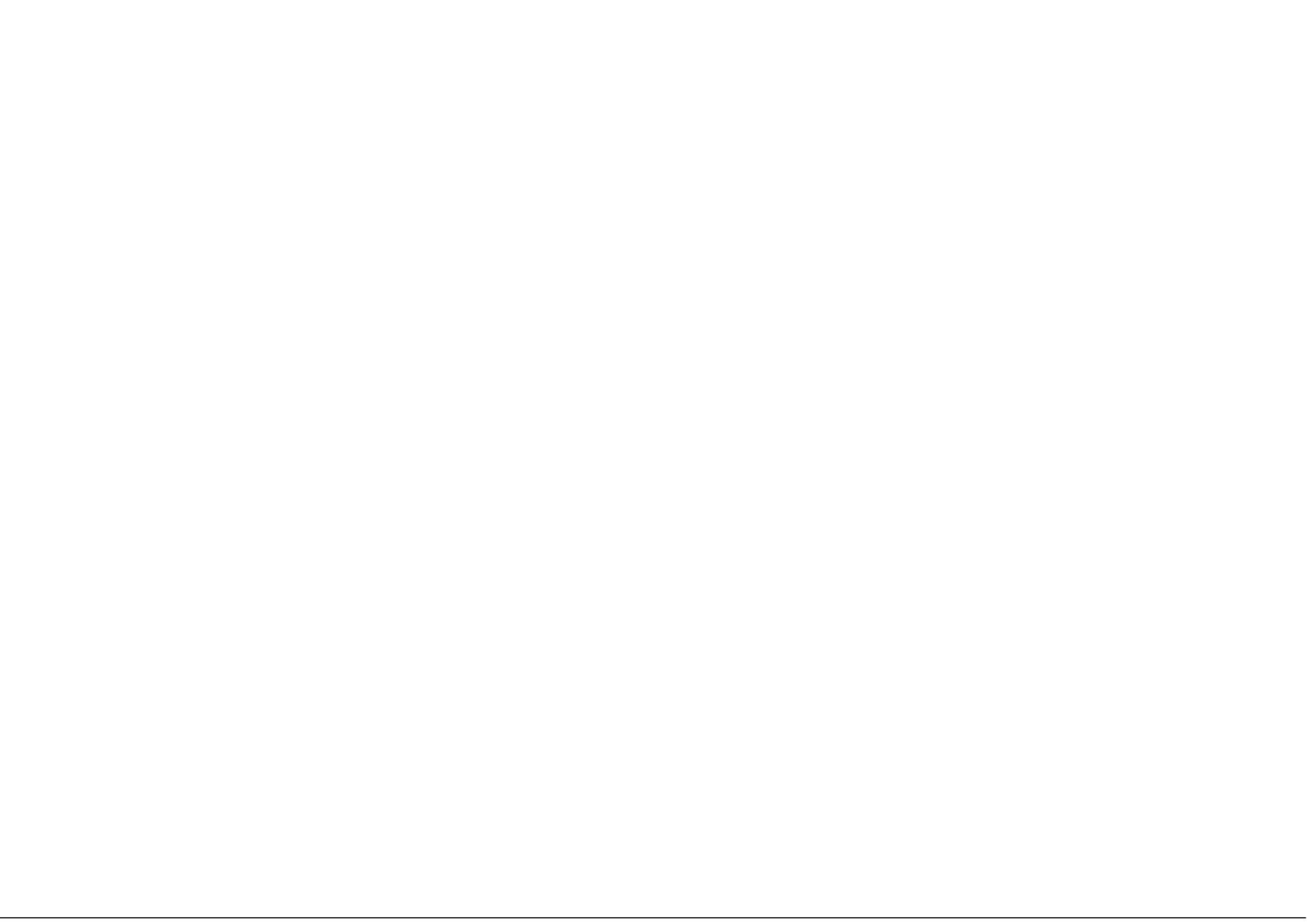
I = 4pcs

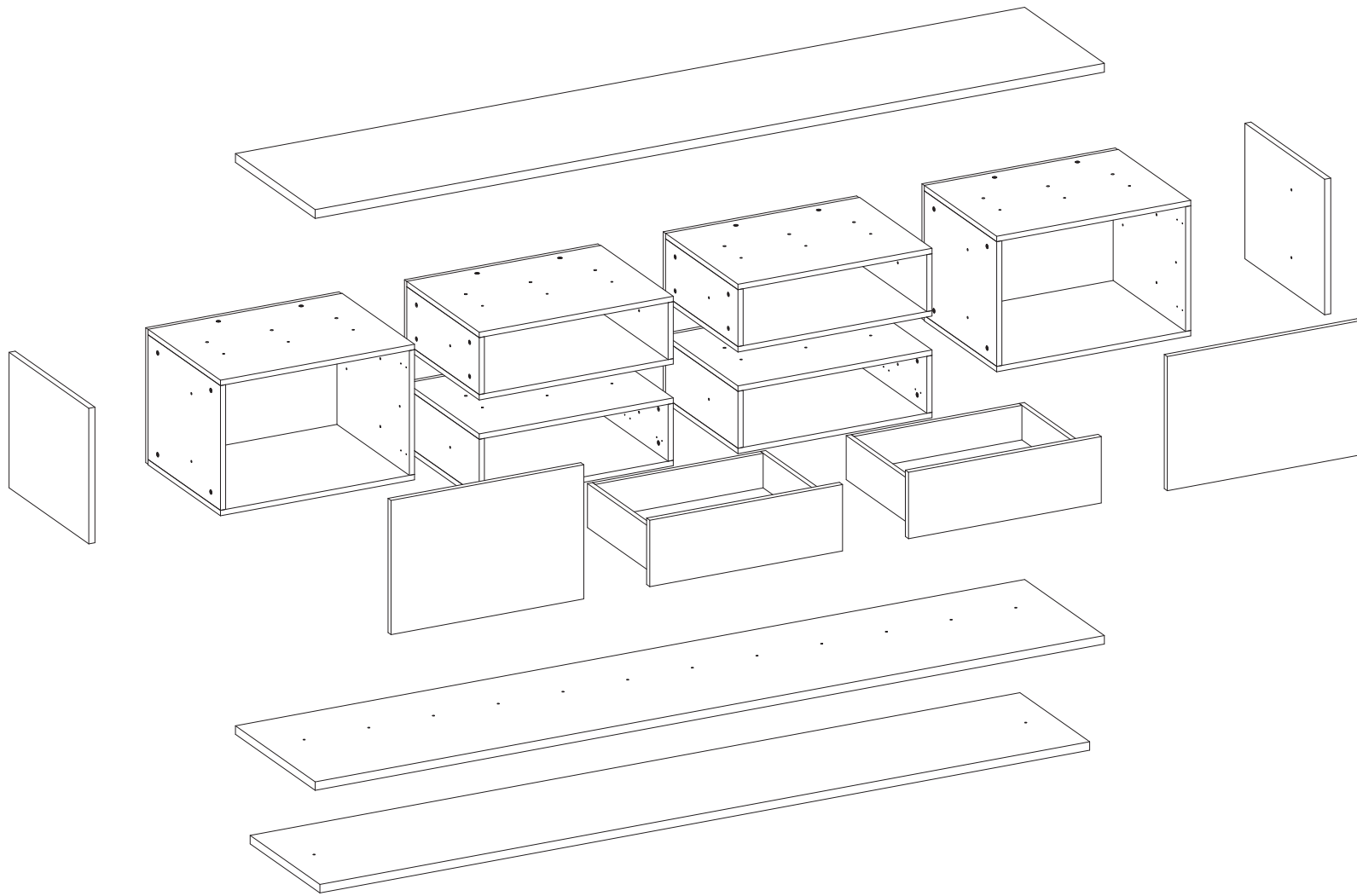
J = 4pcs

K = 4pcs

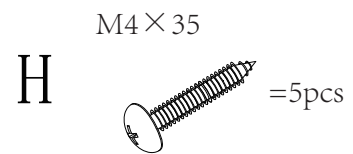
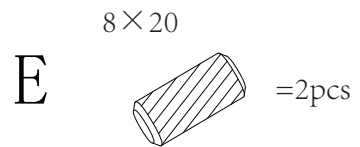
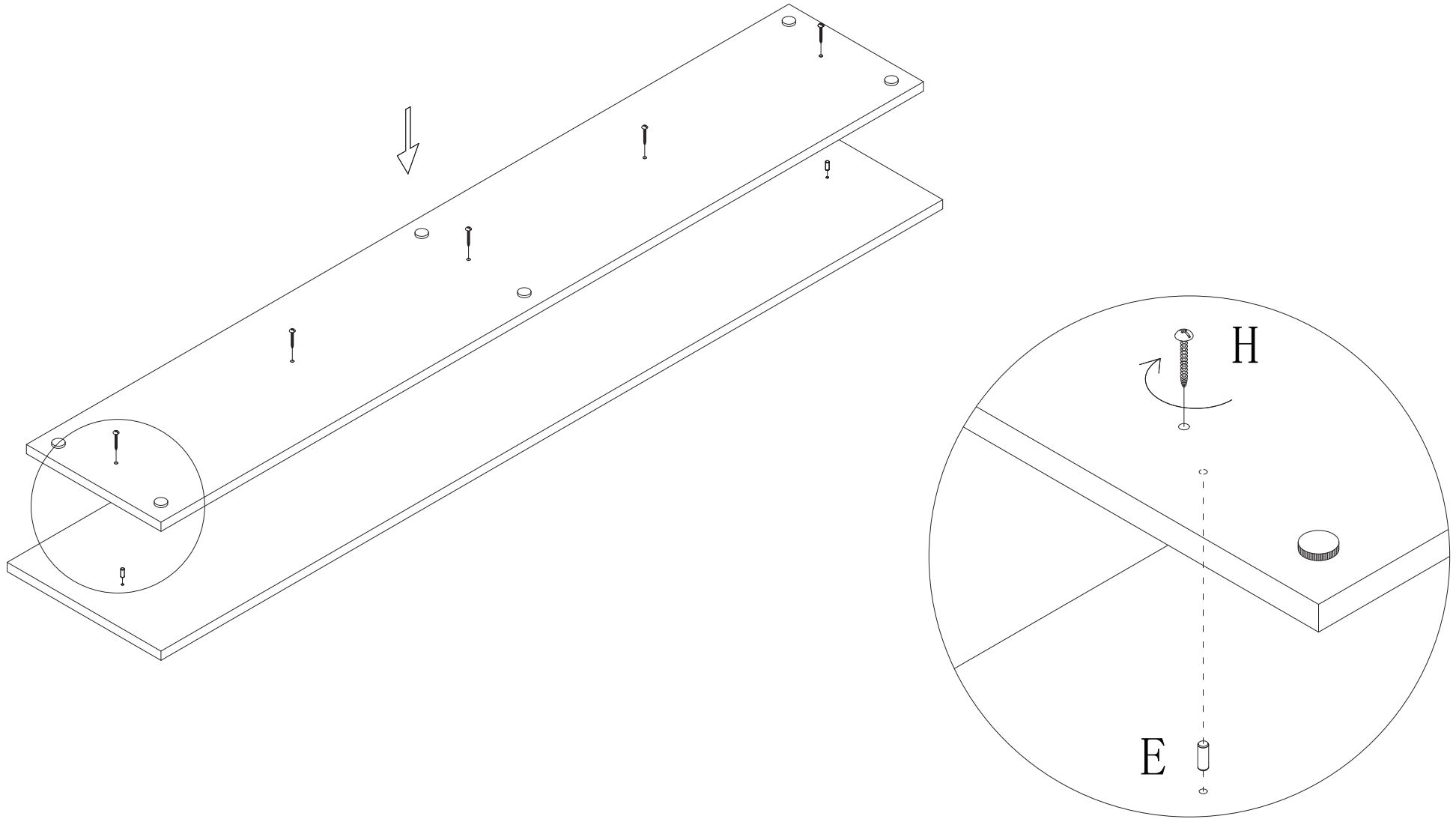
L = 4pcs

M = 2pcs

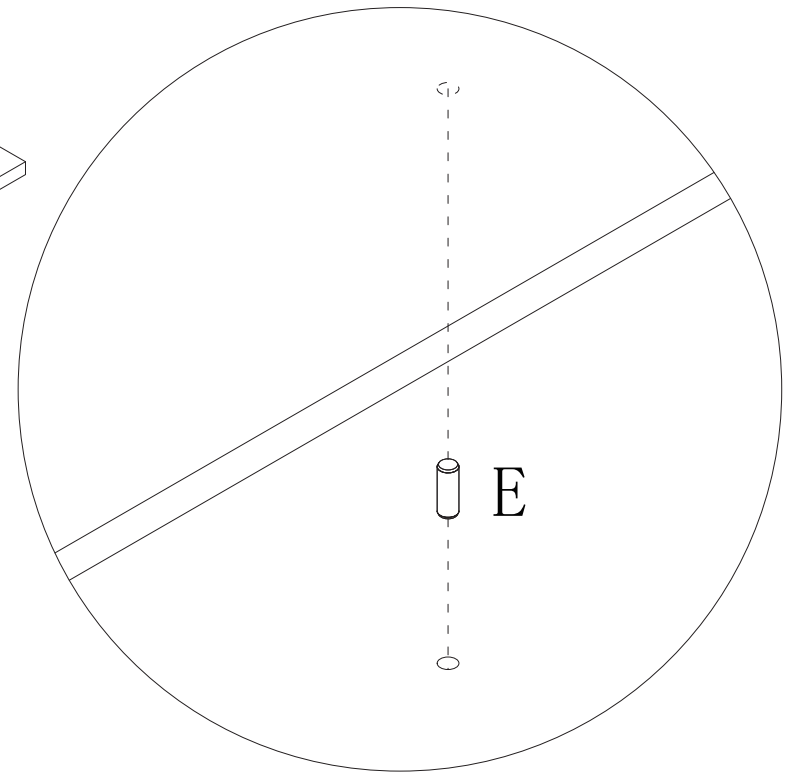
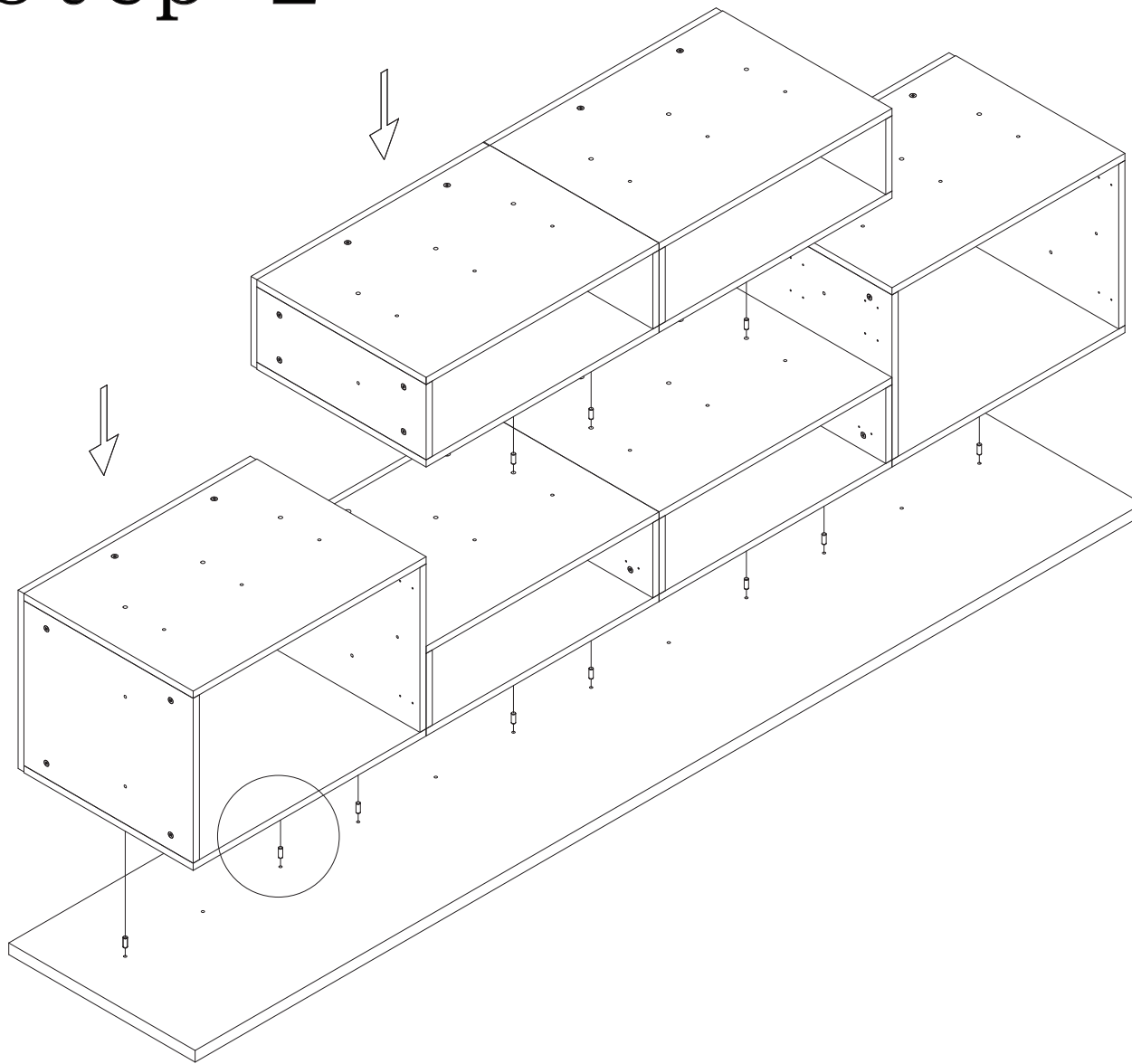




# Step 1

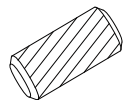


# Step 2



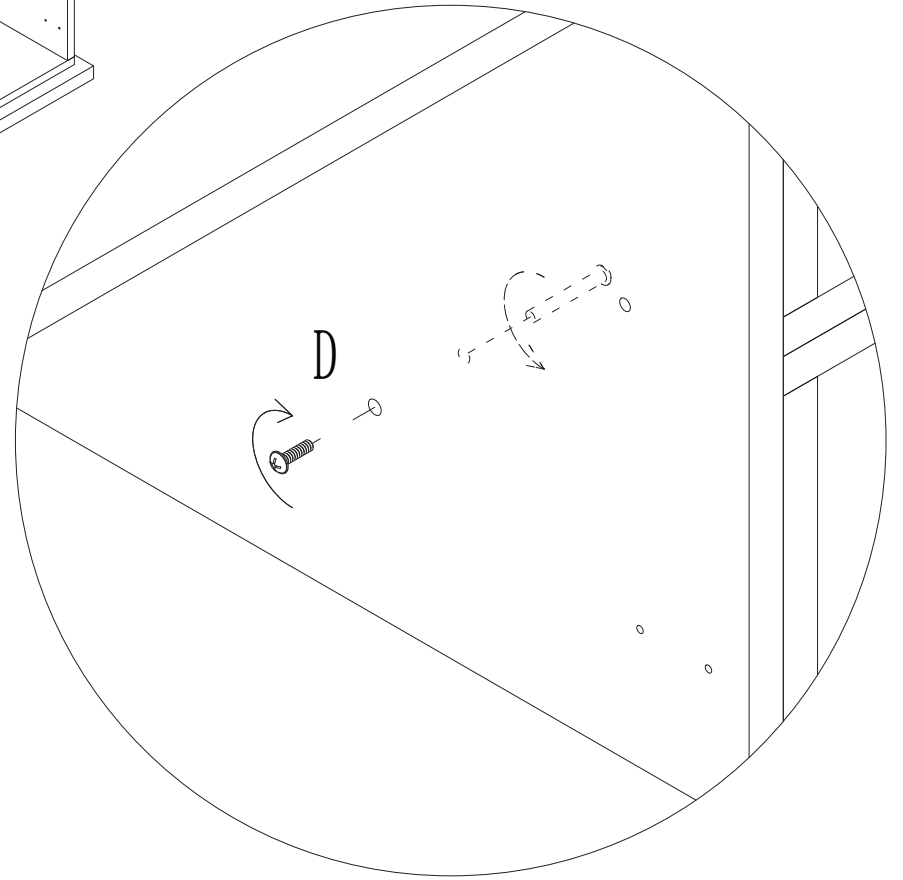
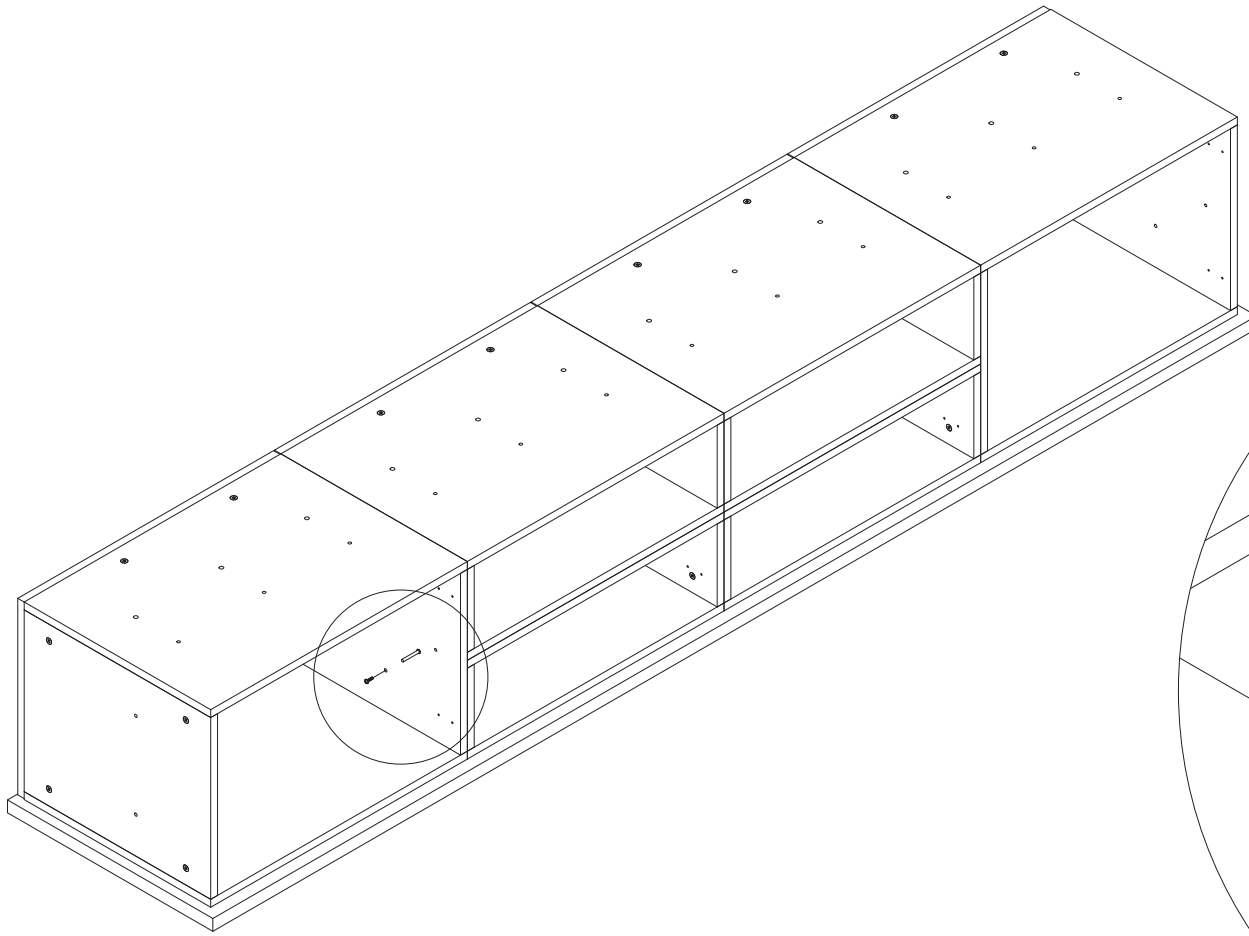
E

8 × 20



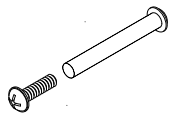
=12pcs

# Step 3



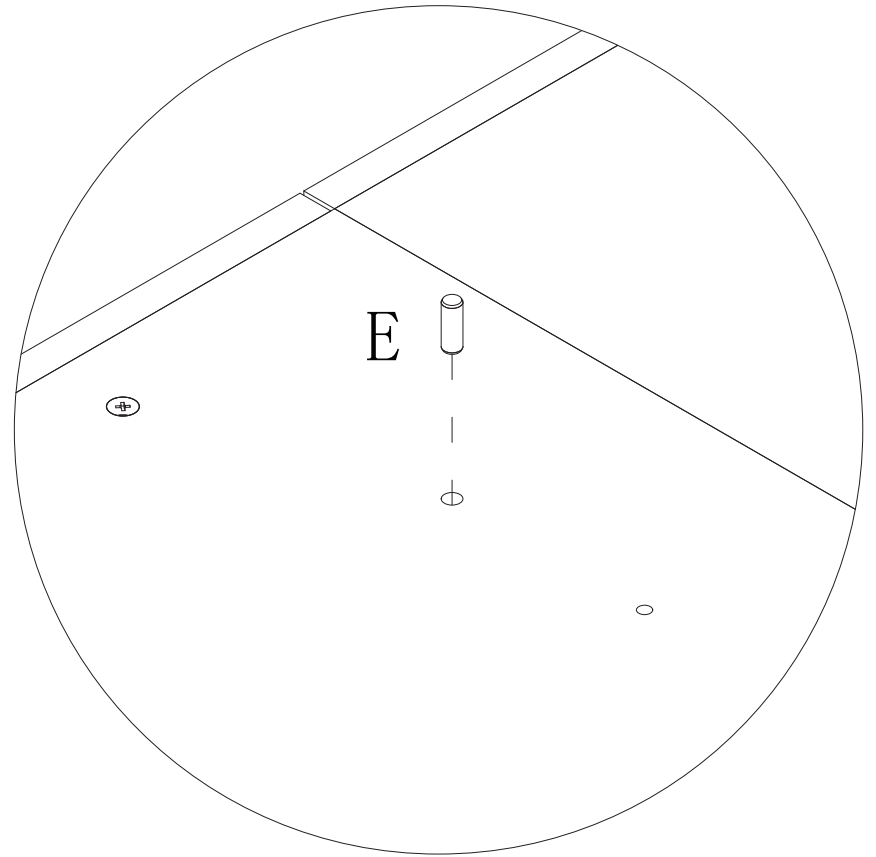
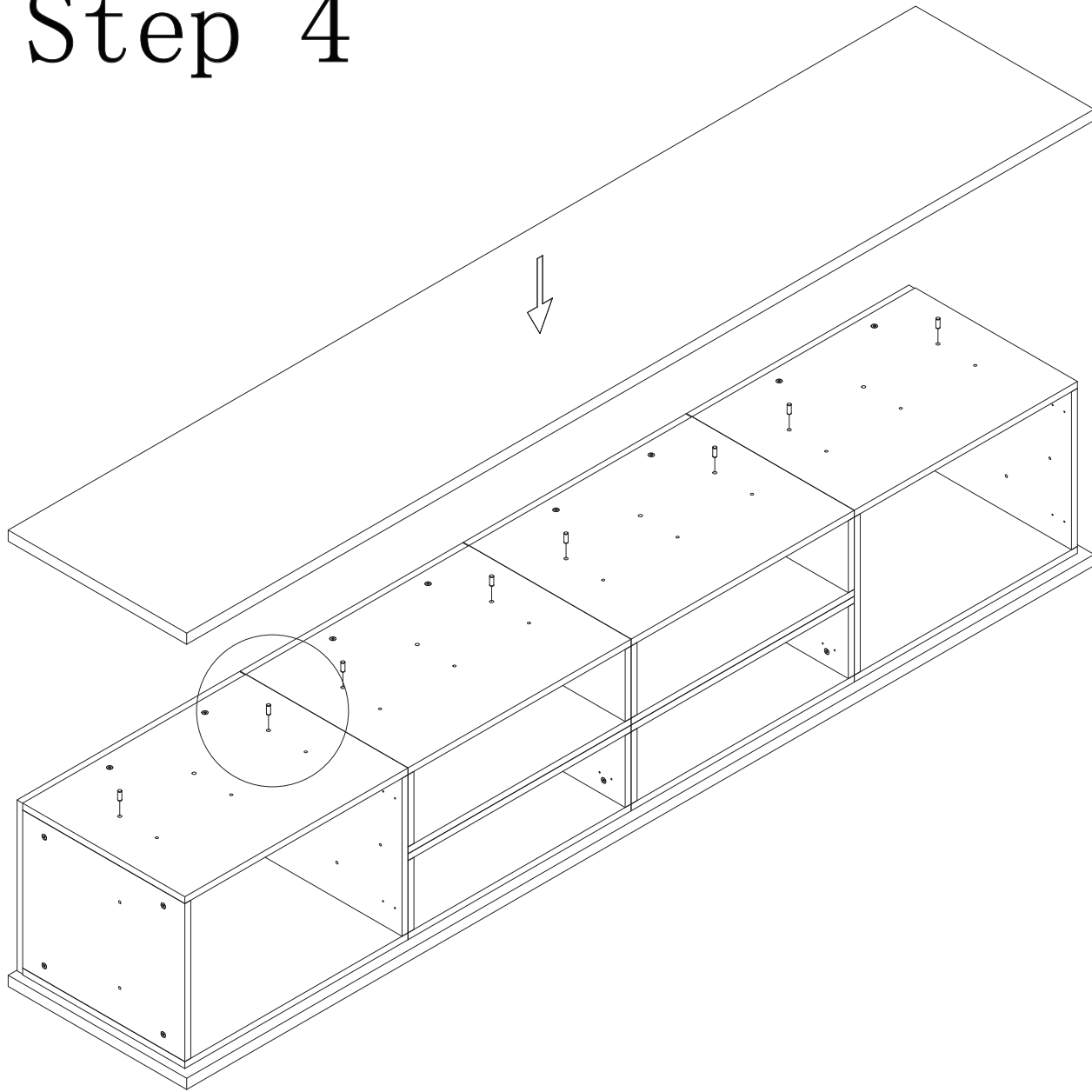
D

M4 × 30



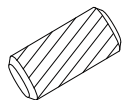
=6pcs

# Step 4



E

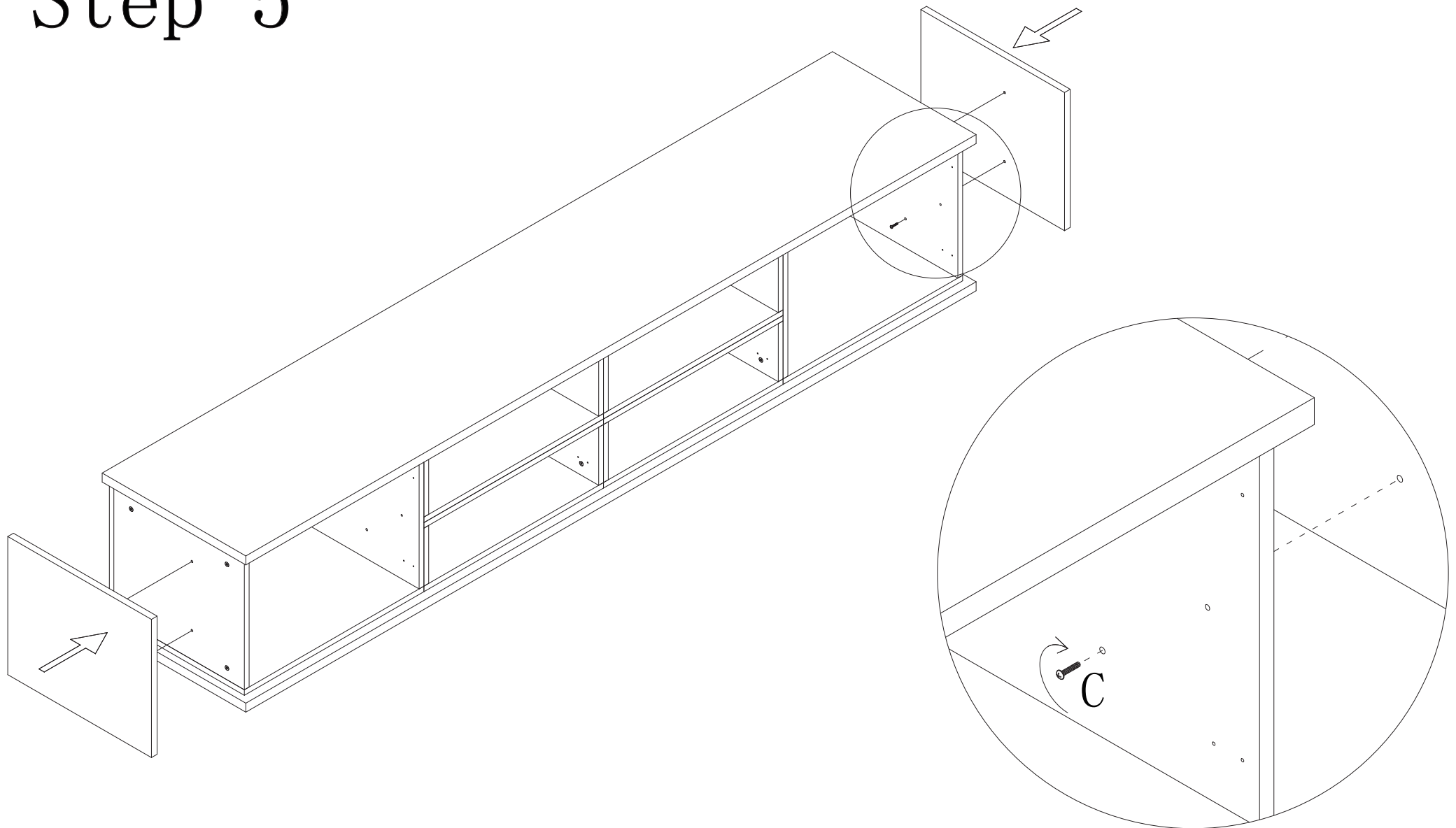
8 × 20



=8pcs

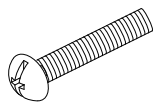


# Step 5



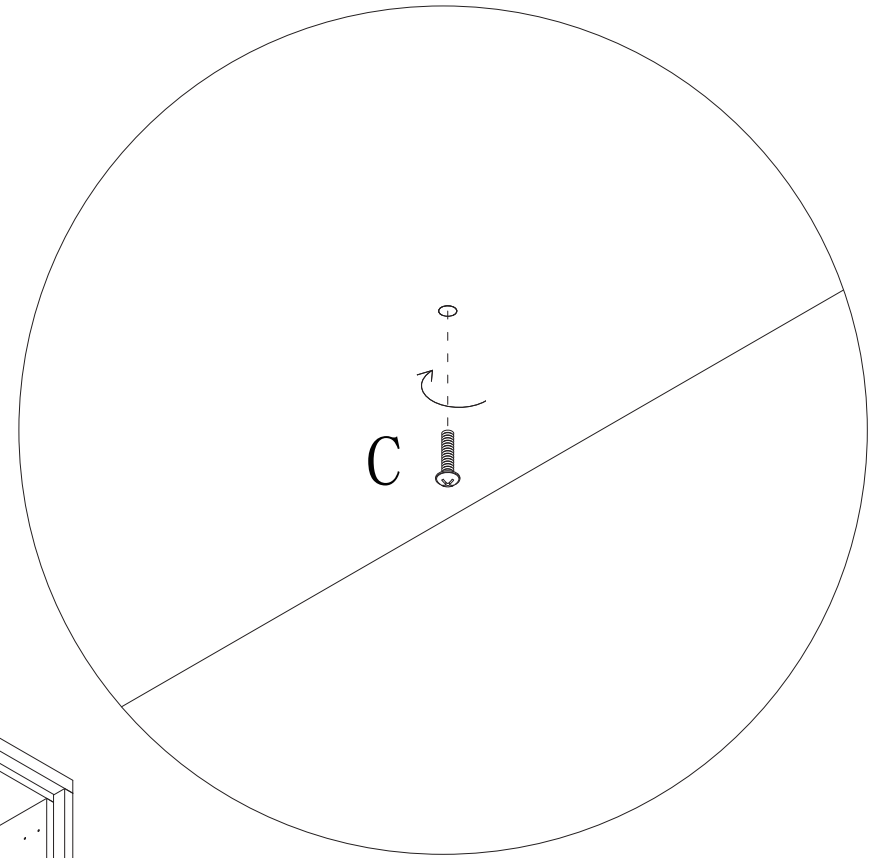
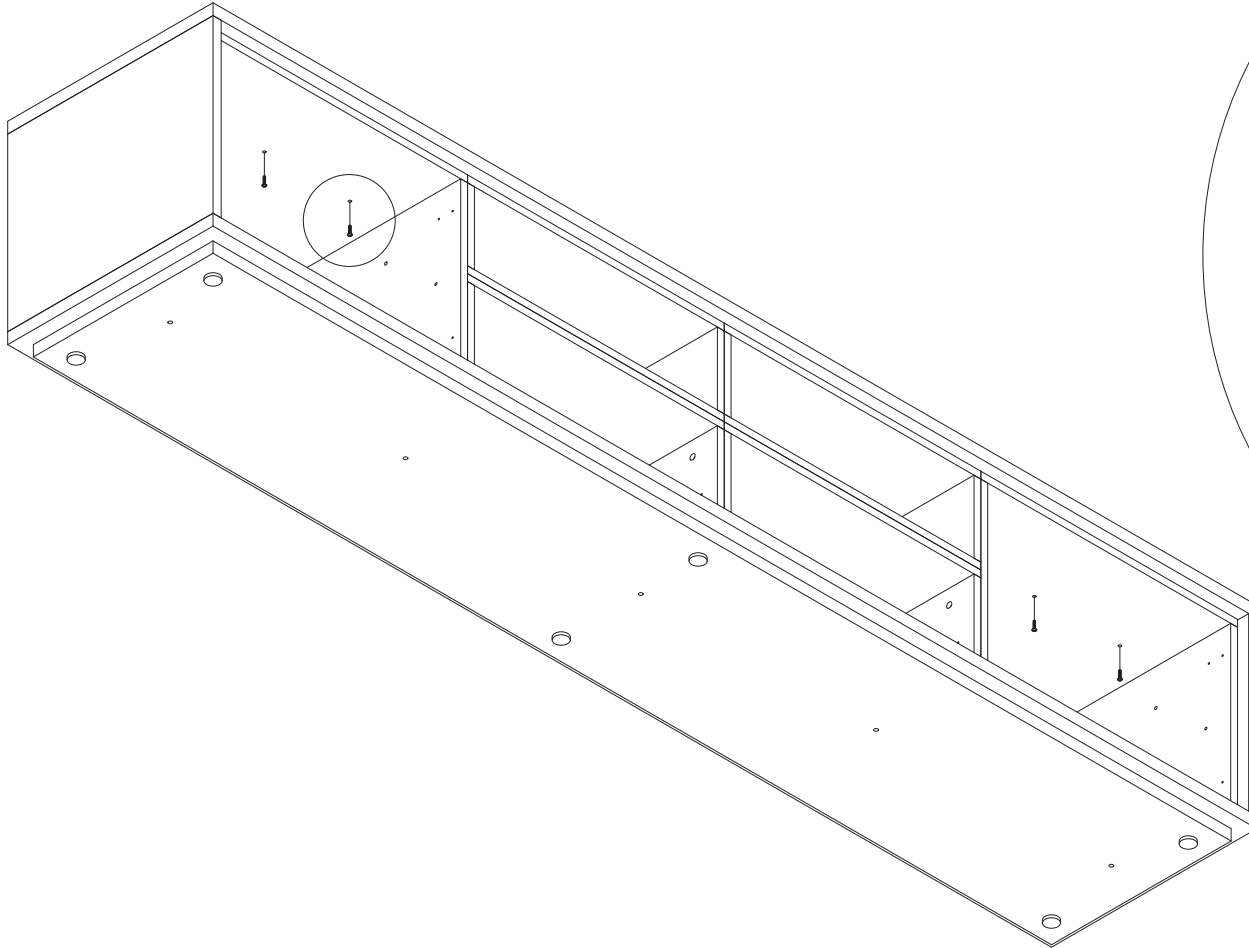
C

M4 × 25



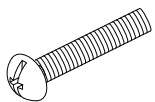
=4pcs

# Step 6



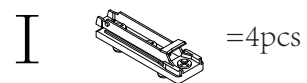
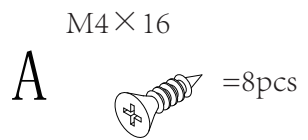
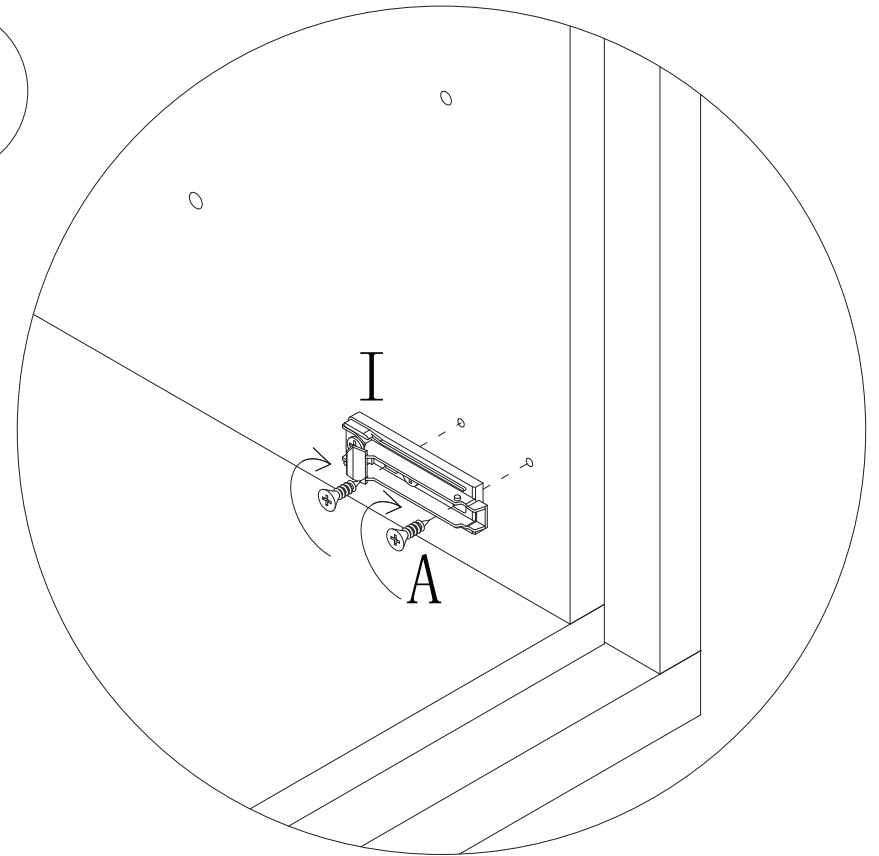
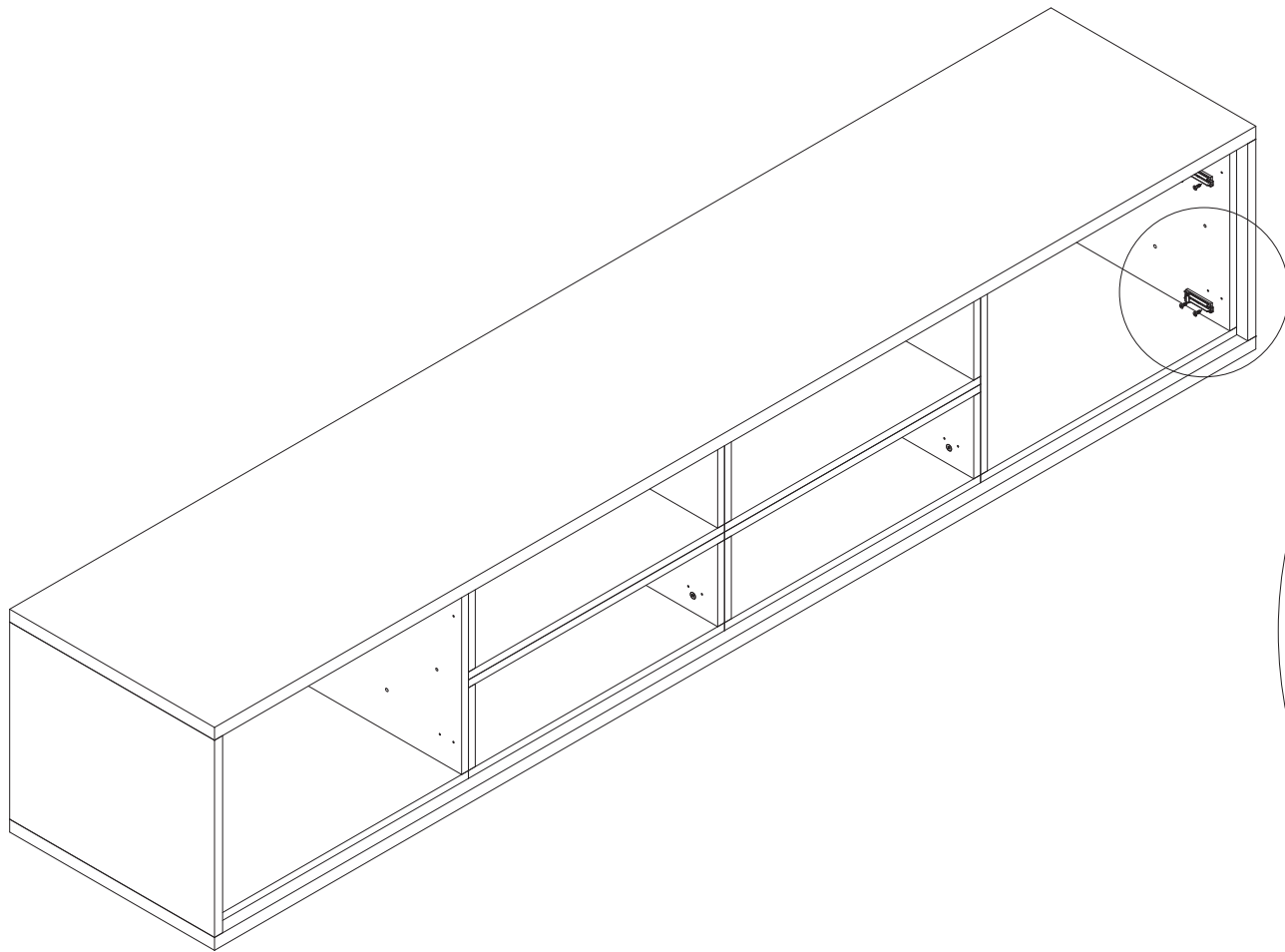
C

M4 × 25

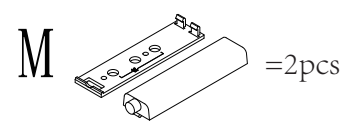
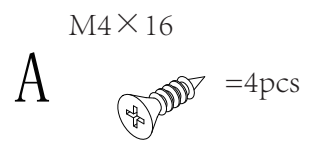
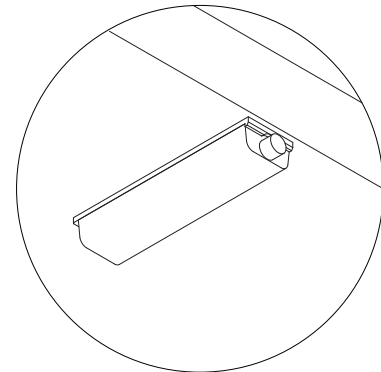
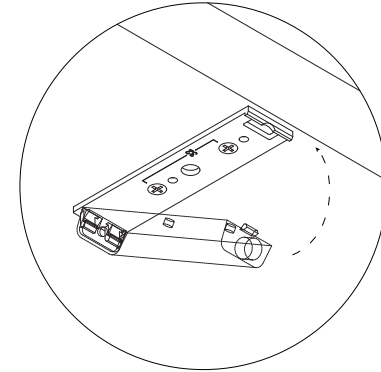
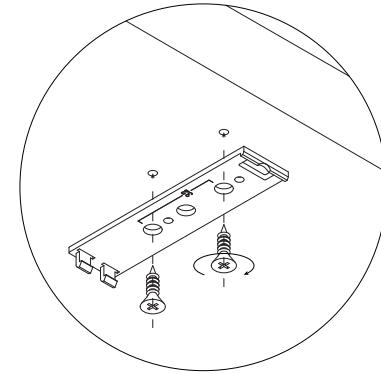
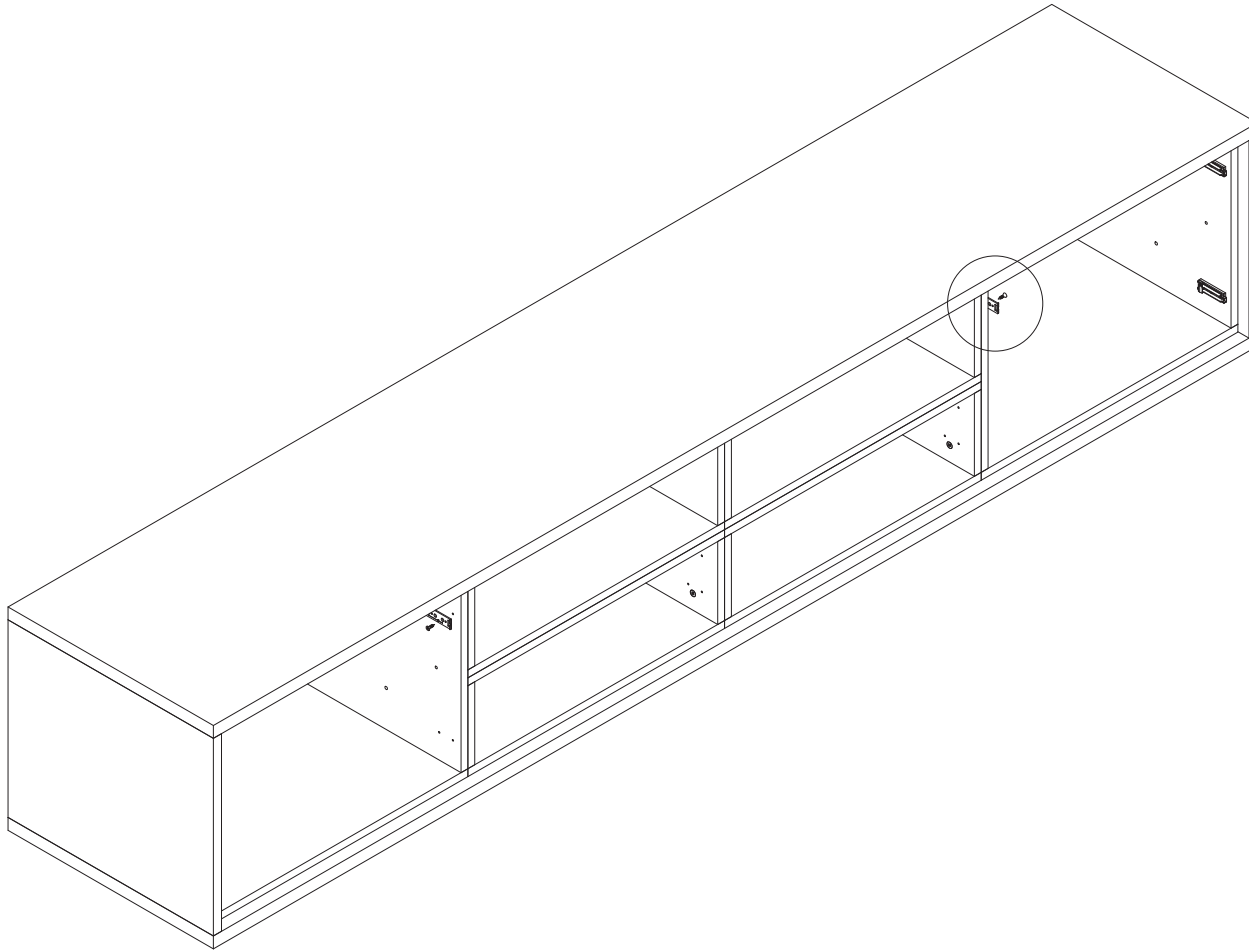


=18pcs

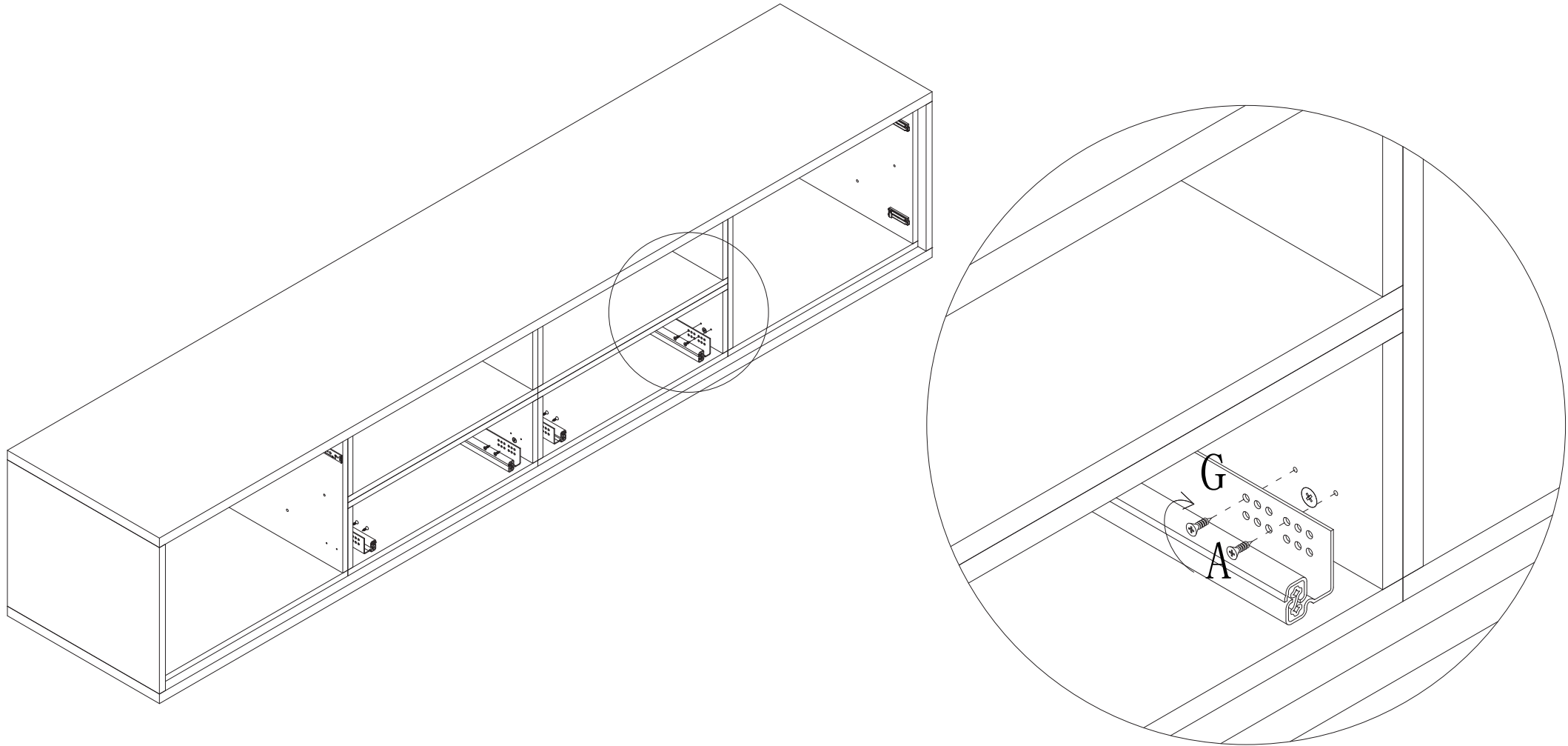
# Step 7



# Step 8



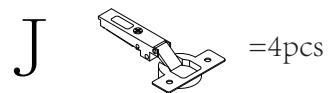
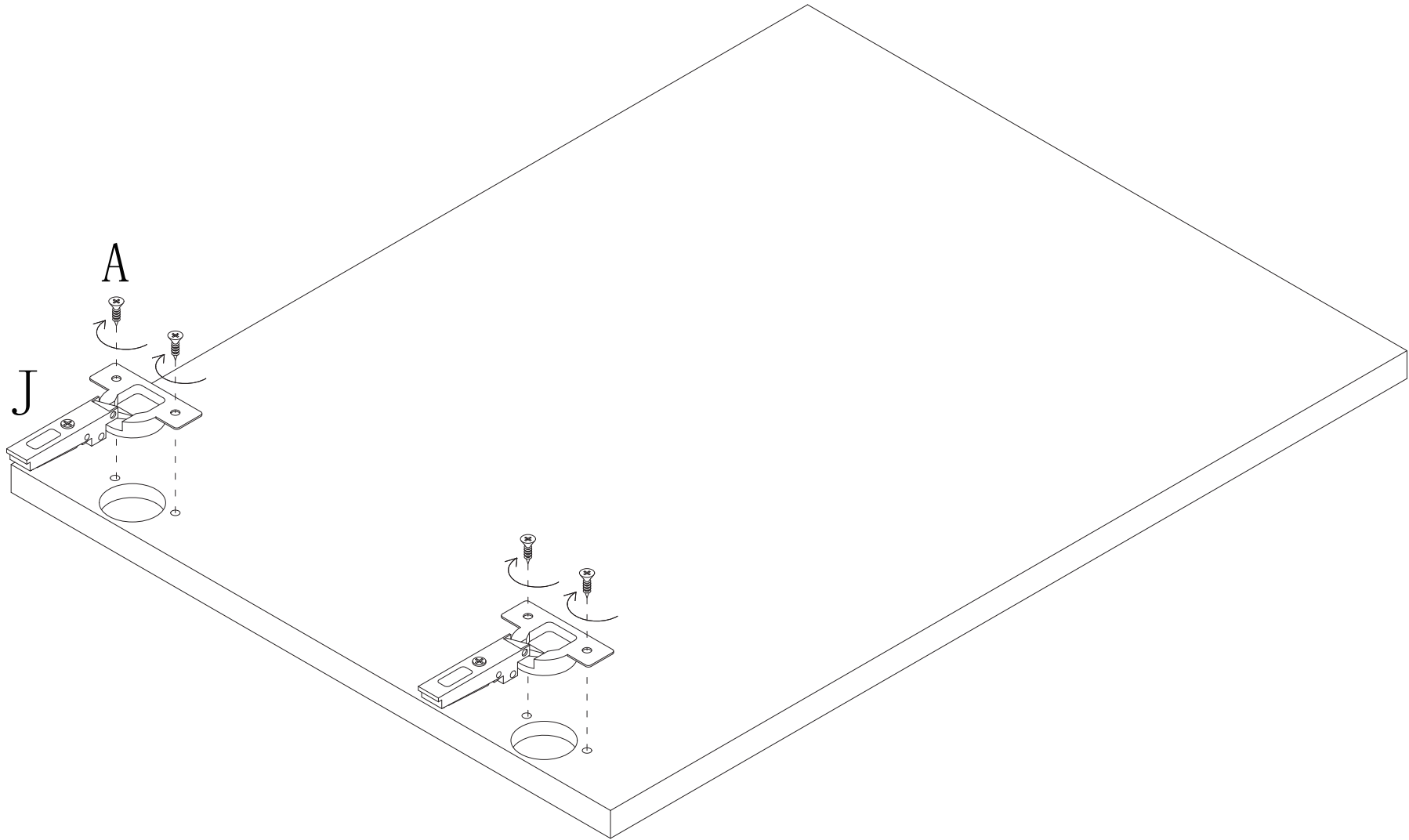
# Step 9



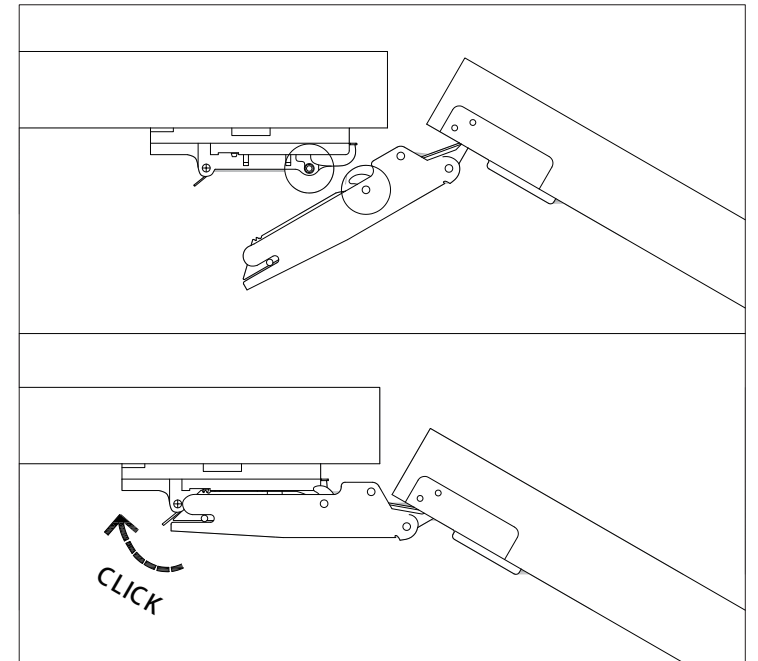
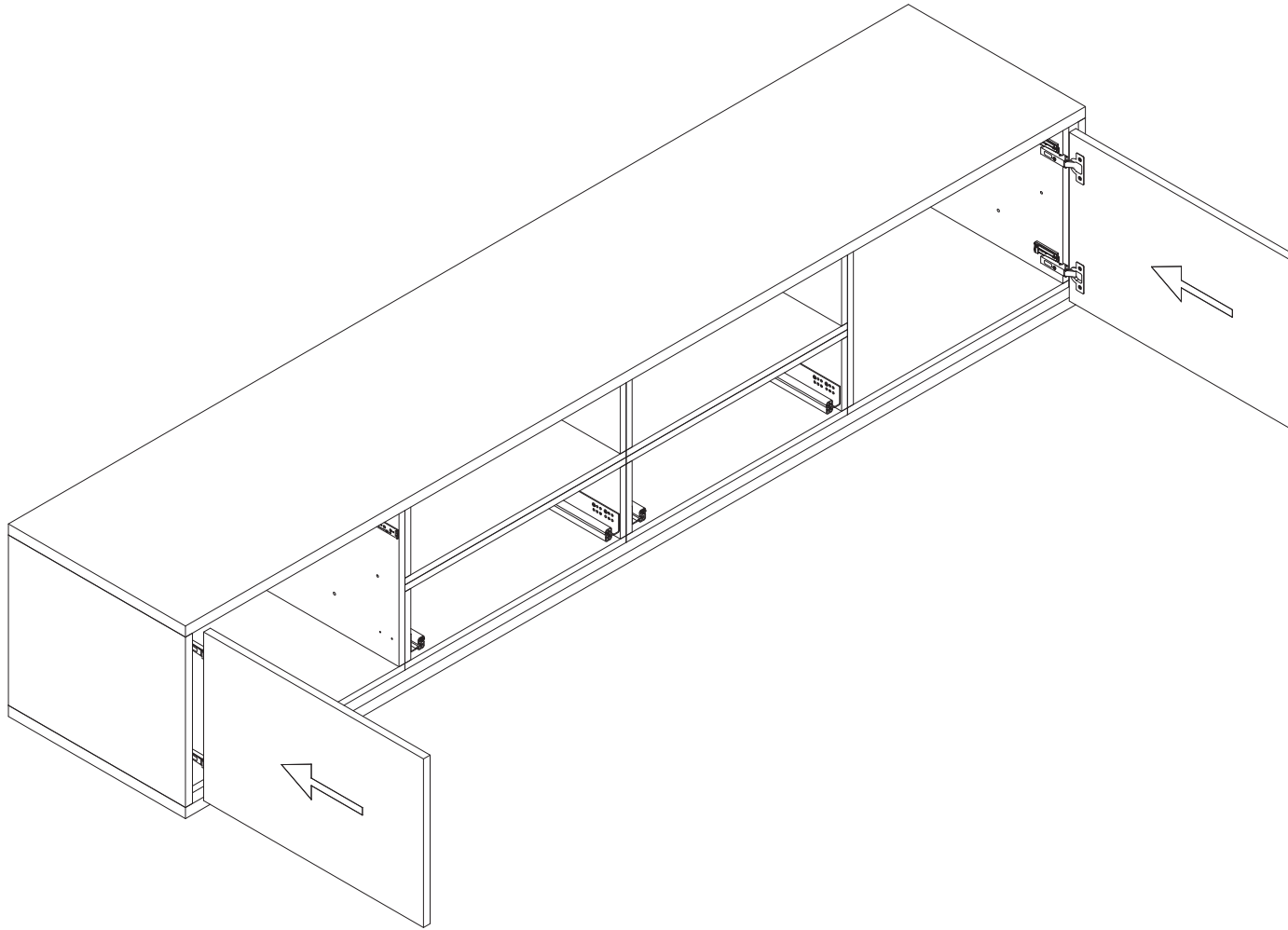
A M4×16  
=16pcs

G L400  
=2pcs

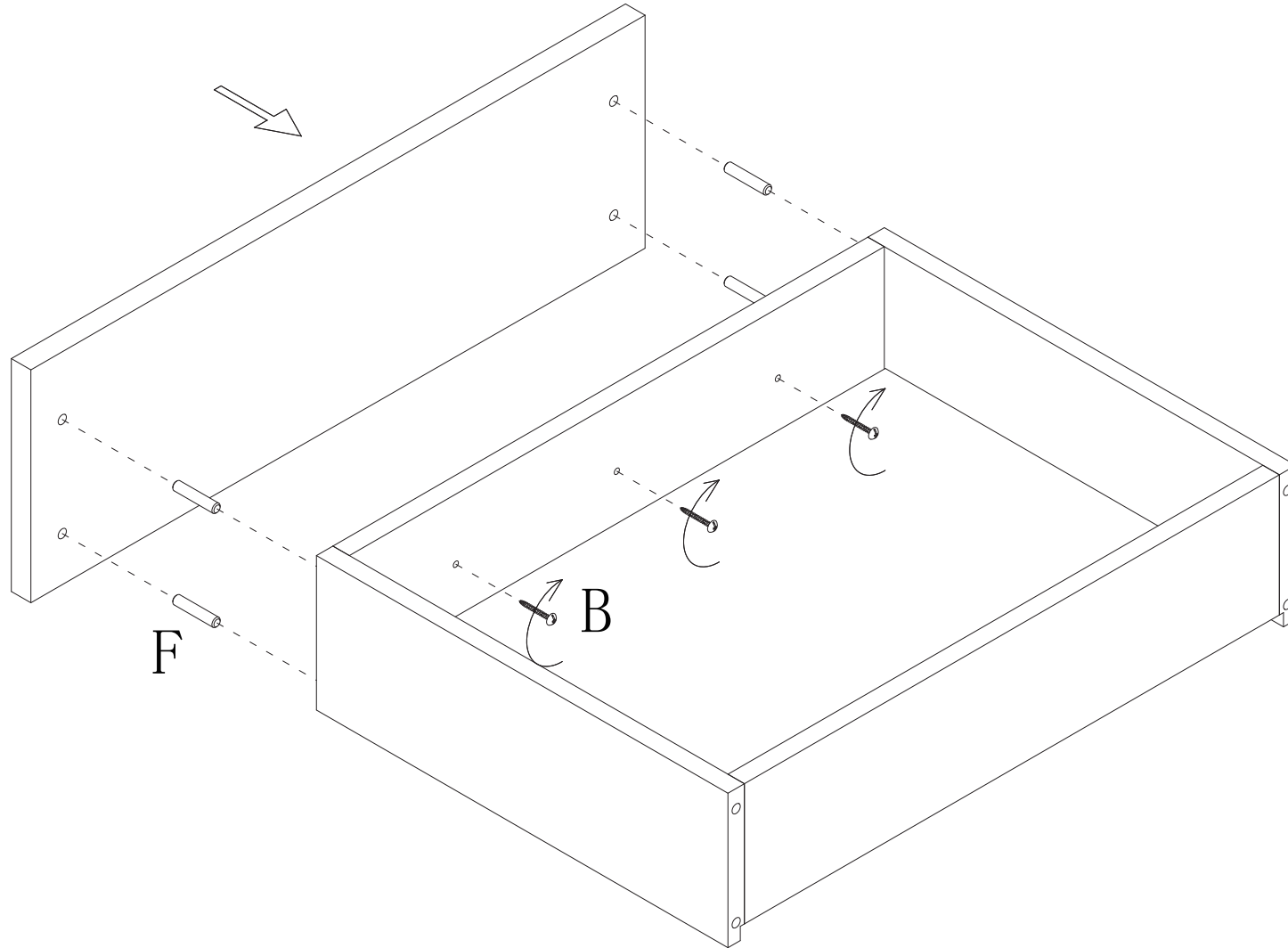
# Step 10



# Step 11



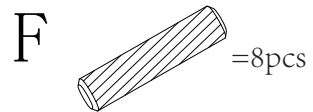
# Step 12



M4 × 30

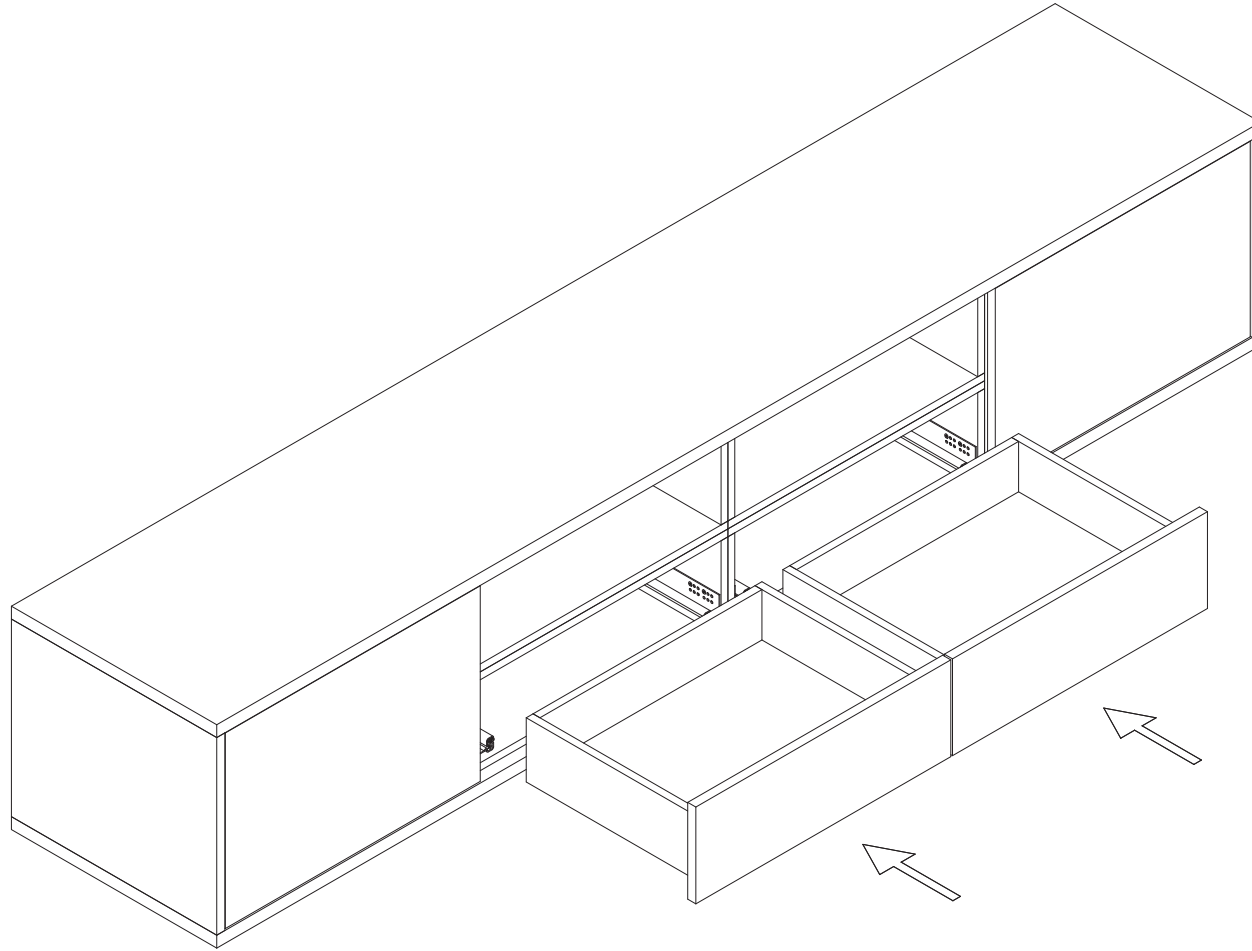


8 × 40

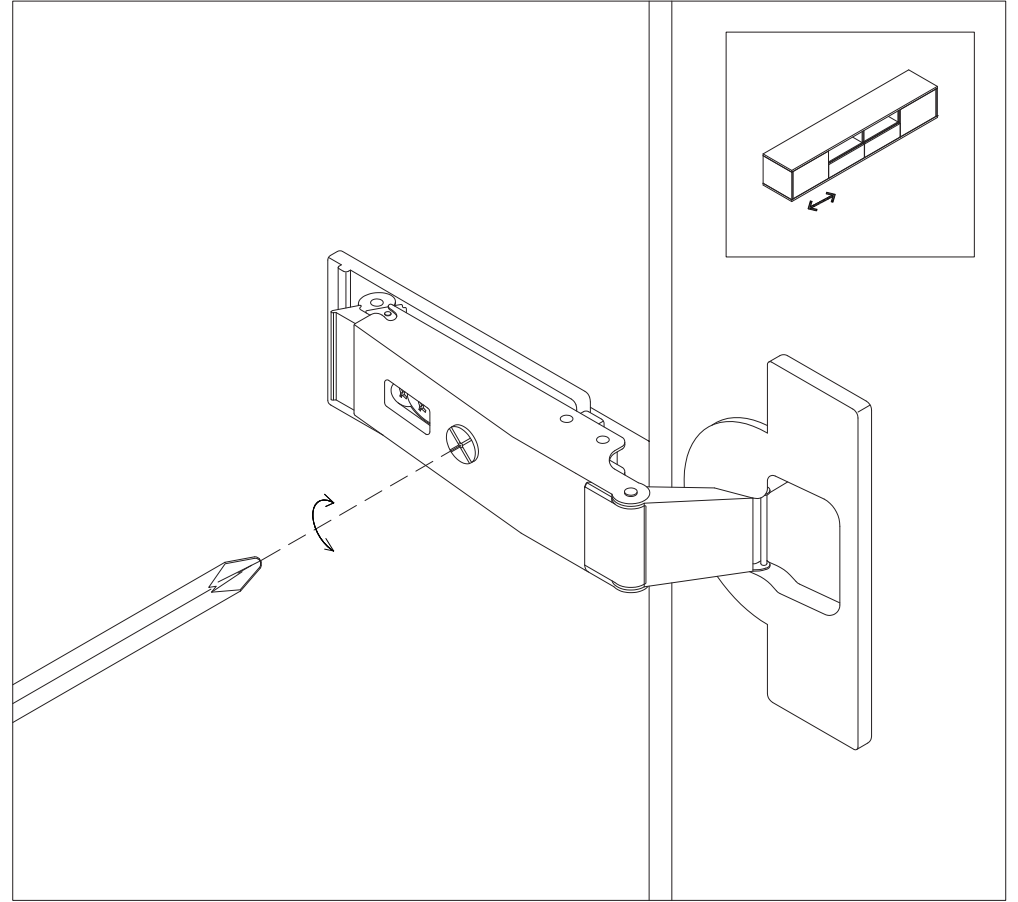
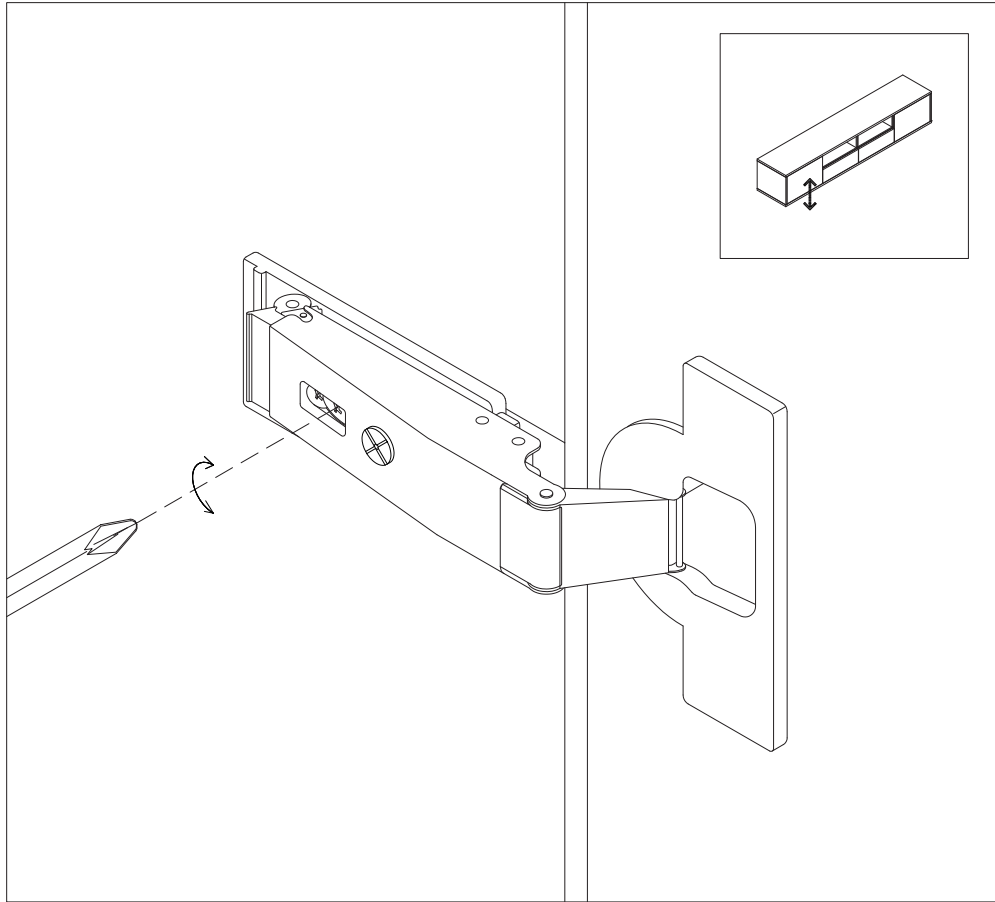




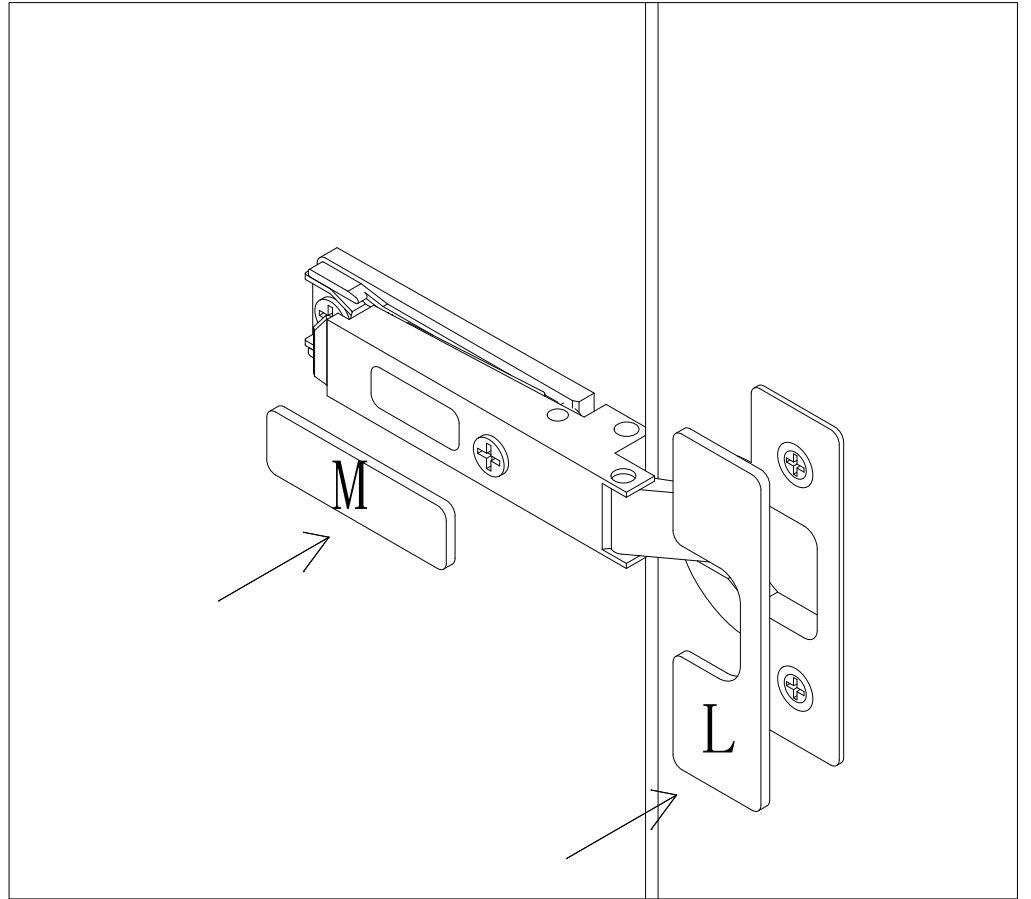
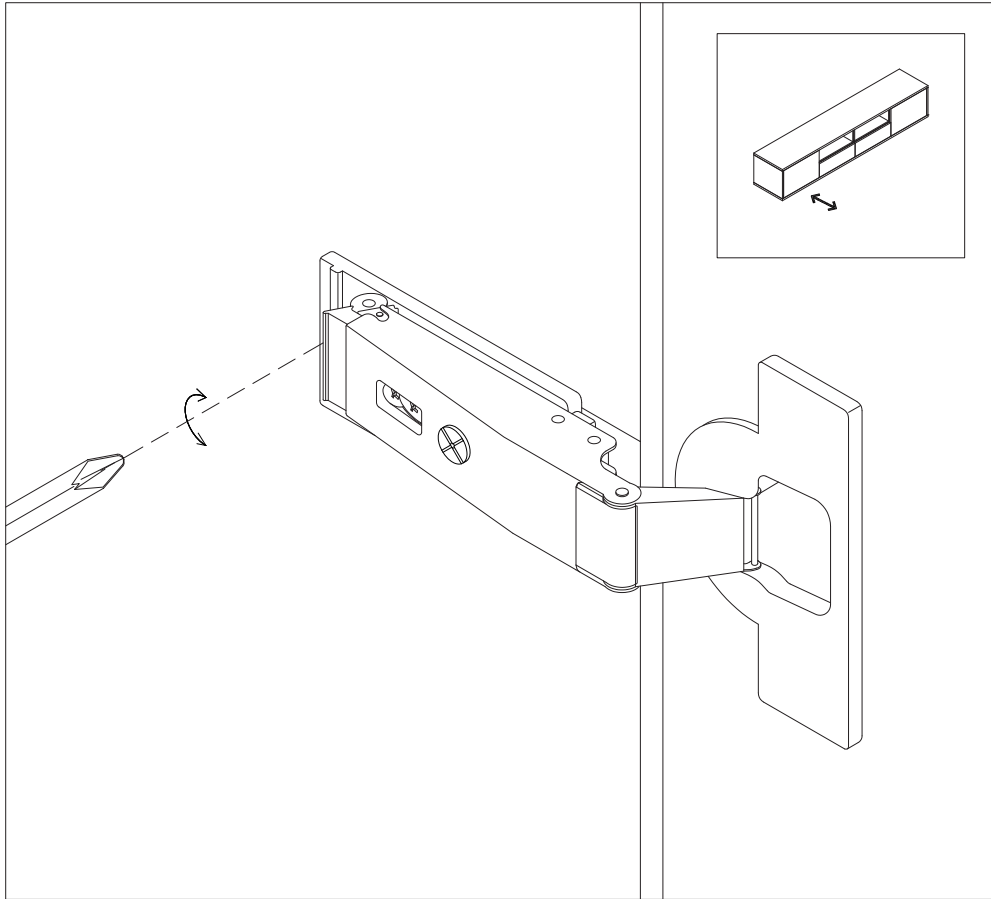
# Step 13





# Step 14



# Step 15



L  =4pcs

M  =4pcs

