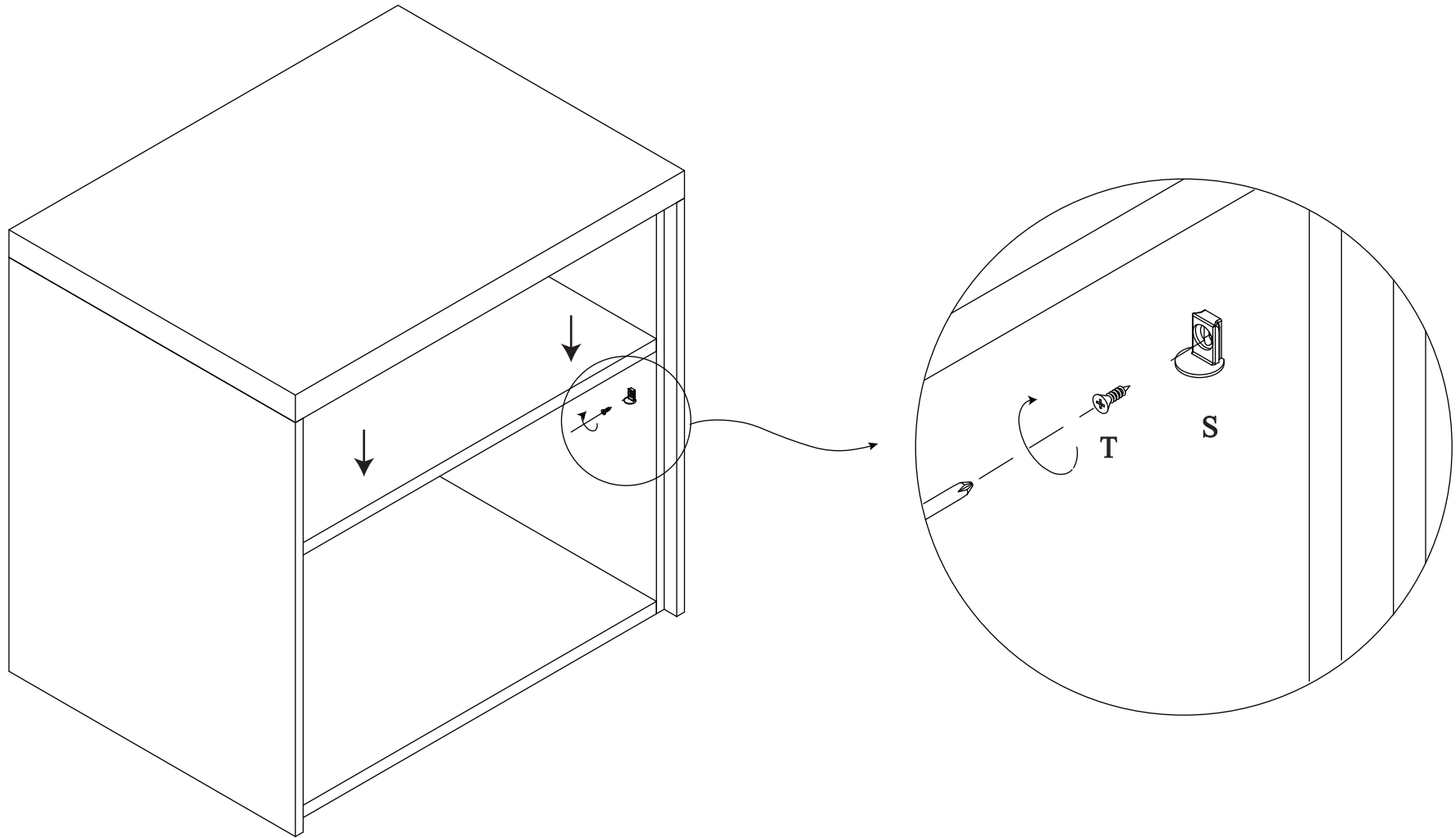


Updated Shelf Pegs Installation Instruction

新层板托安装说明



∅ 3

S (updated)



M4*12

T