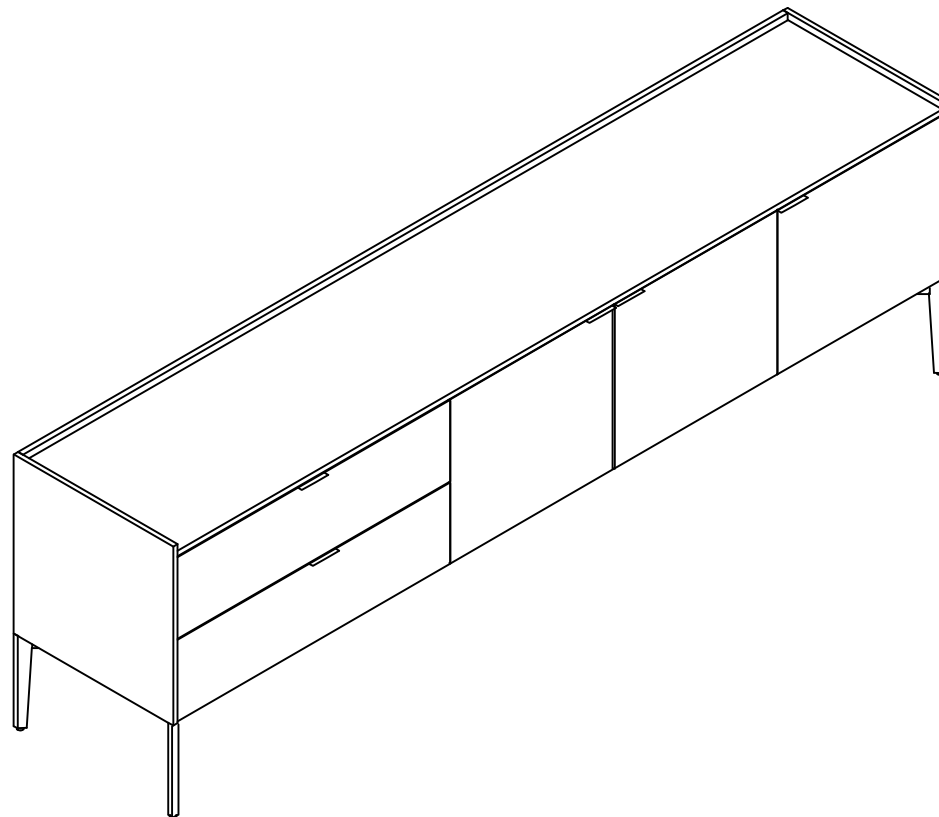


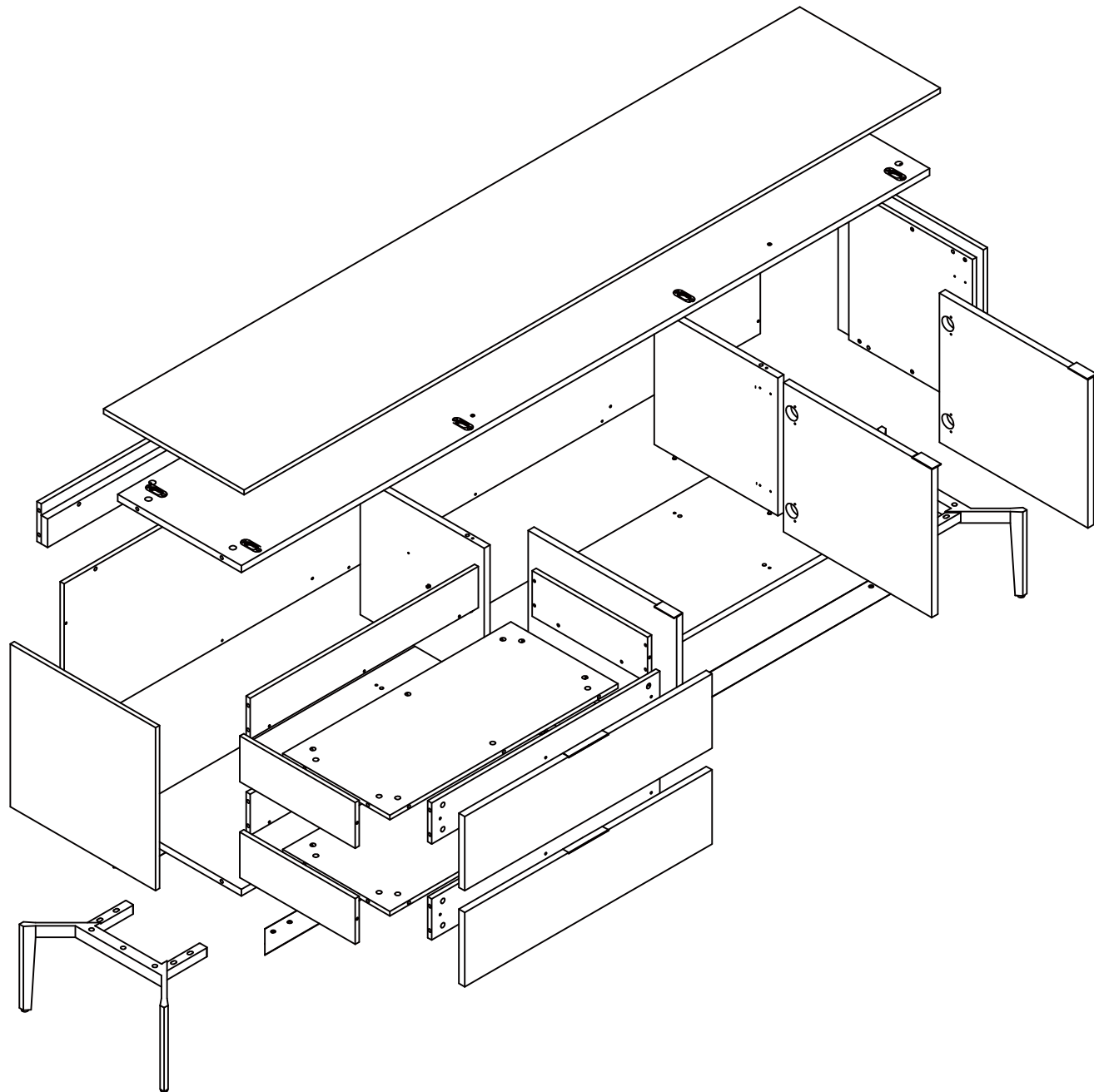
MATRIX


C04H0804.

Install Instruction




CAMERICH






A
 $\Phi 8*30=8$




B
M5*50=22



C
3mm=1



D1
15mm=14
D2
=14



E1
12mm=40
E2
=40




F
M8*35=13



G
5mm=1



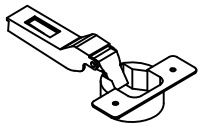
H
M8*40=19



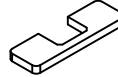
I
M4*12=40




J1
=6



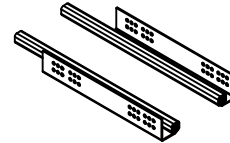
J2
=6




J3
=6



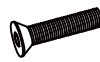
J4
=6



K
=2



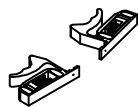
L
 $\Phi 6*30=4$



M
M4*25=6




N
2.5mm=1



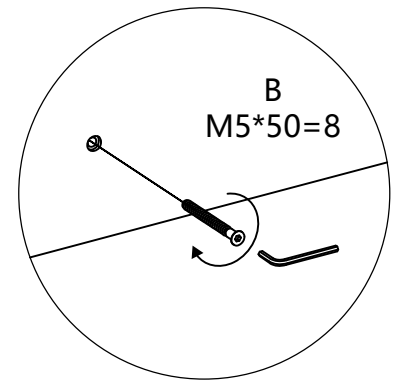
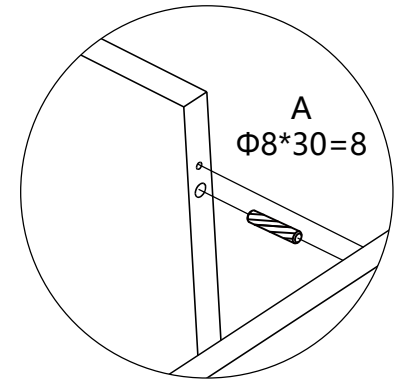
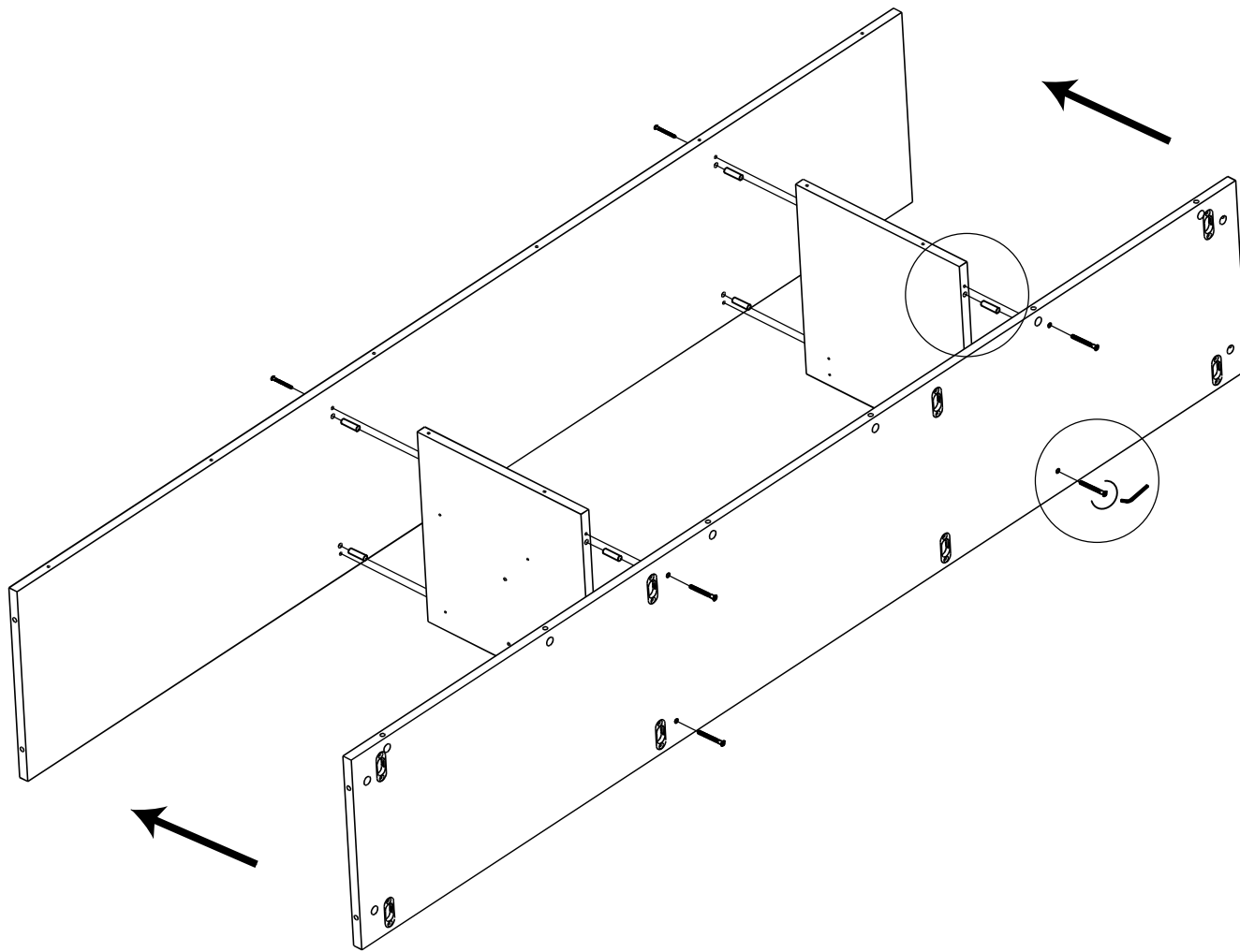
O
=2



P
=8



Q
M4*16=16

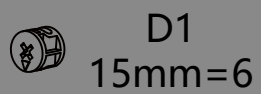
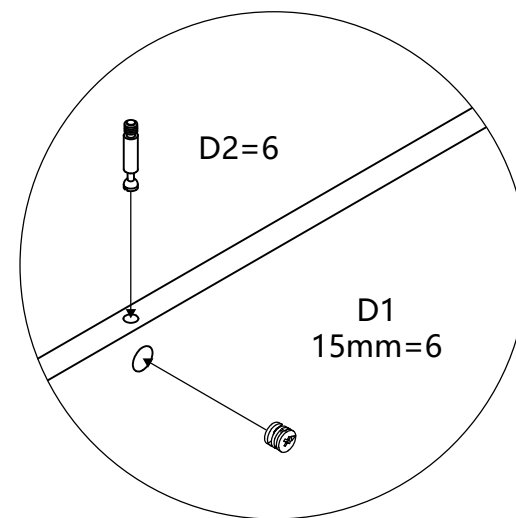
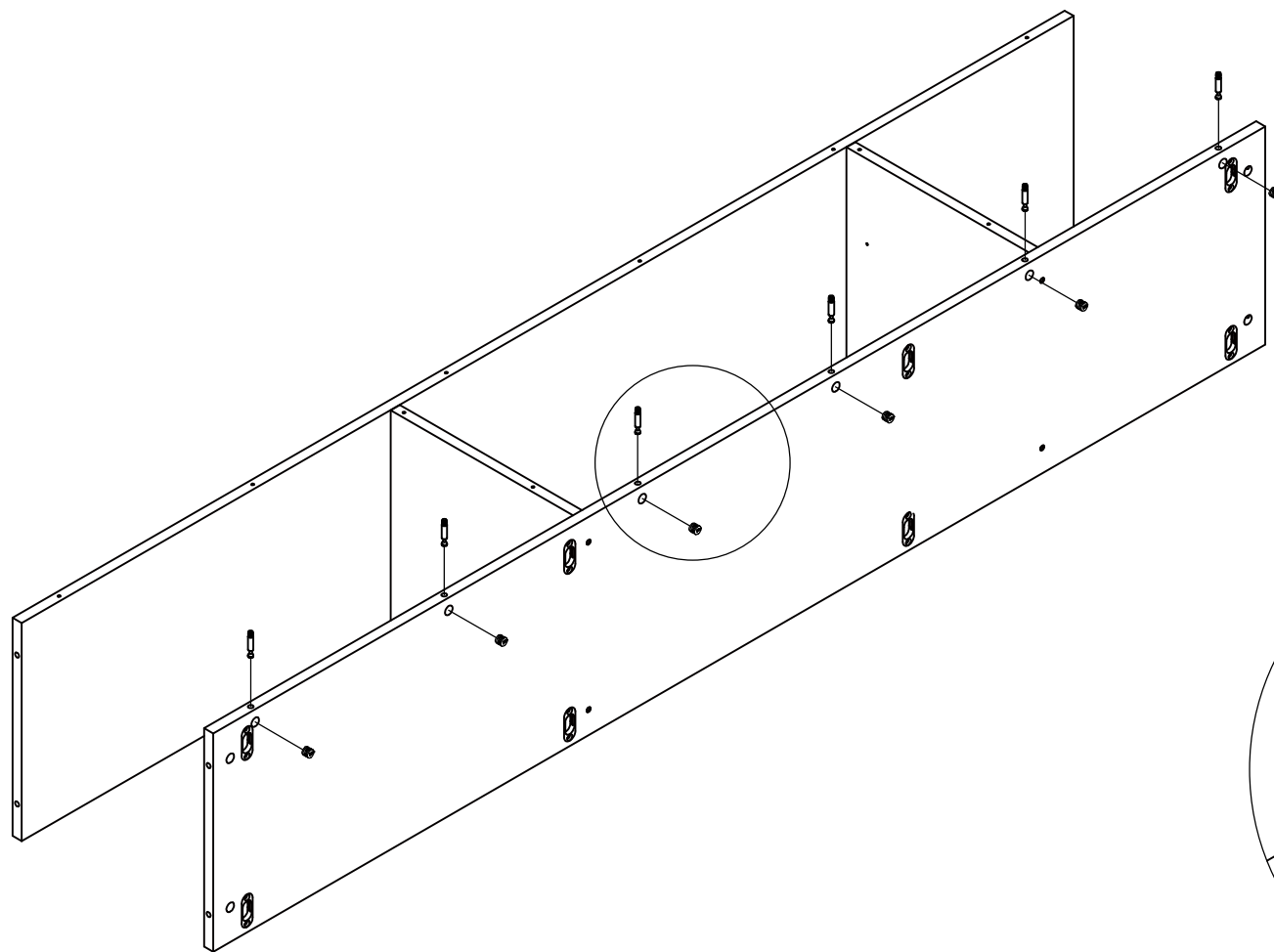


A
 $\Phi 8*30=8$

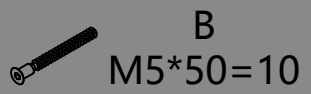
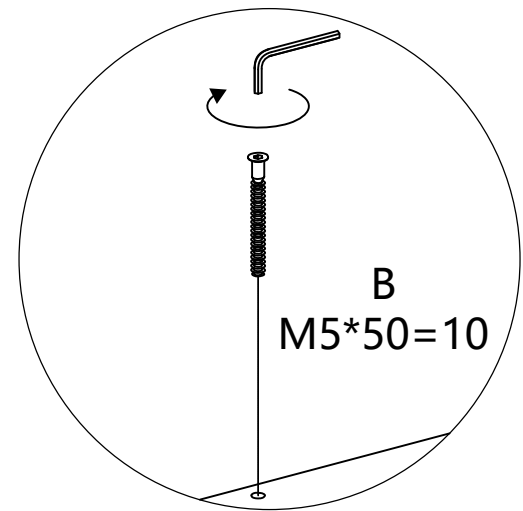
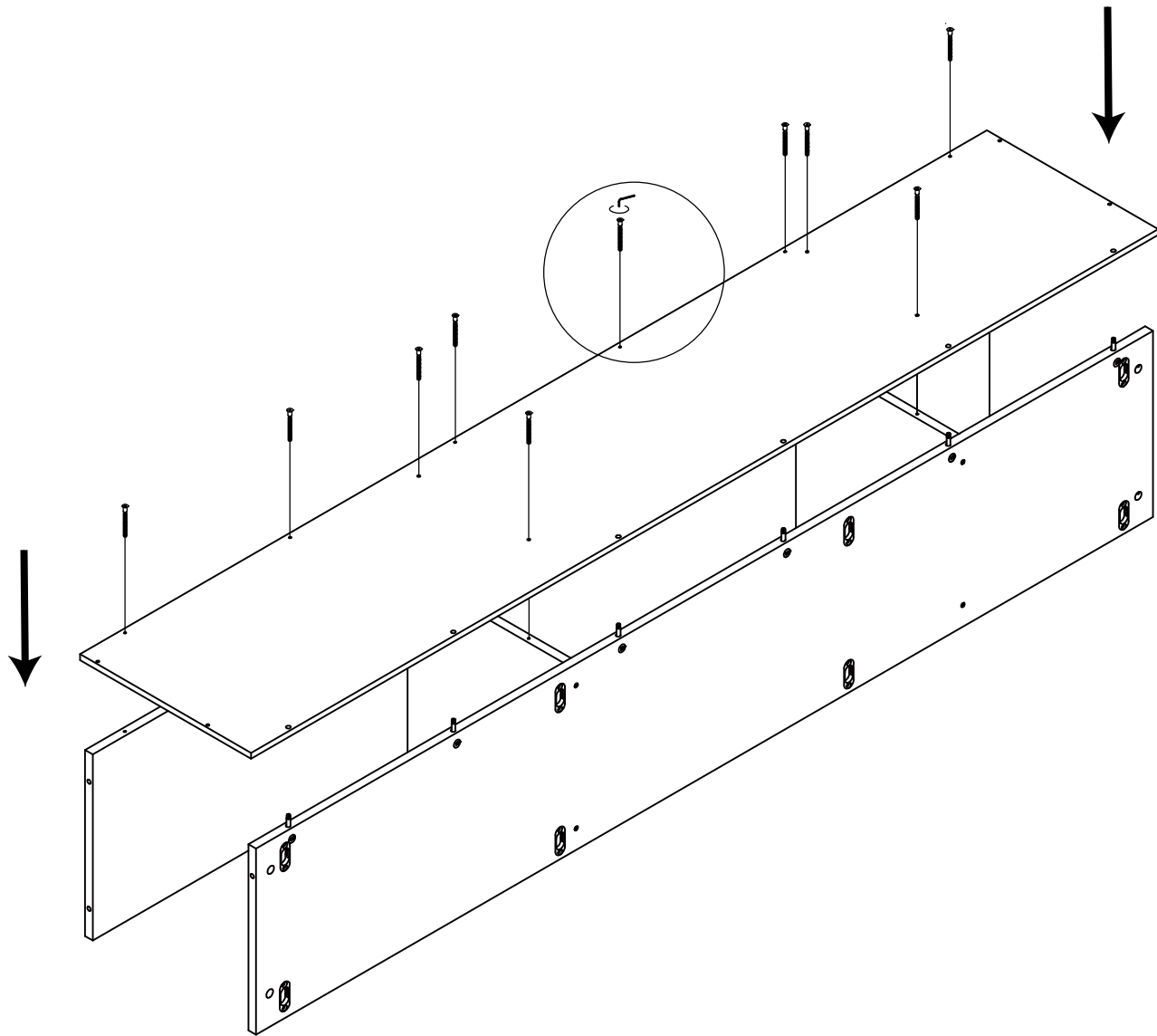
B
 $M5*50=8$

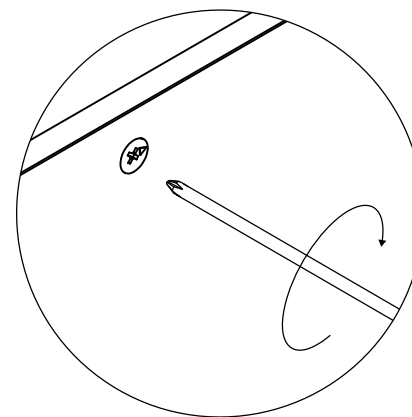
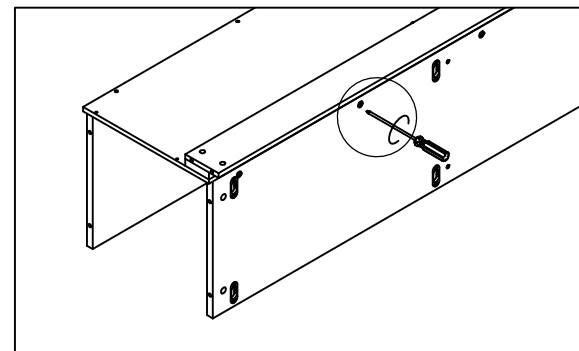
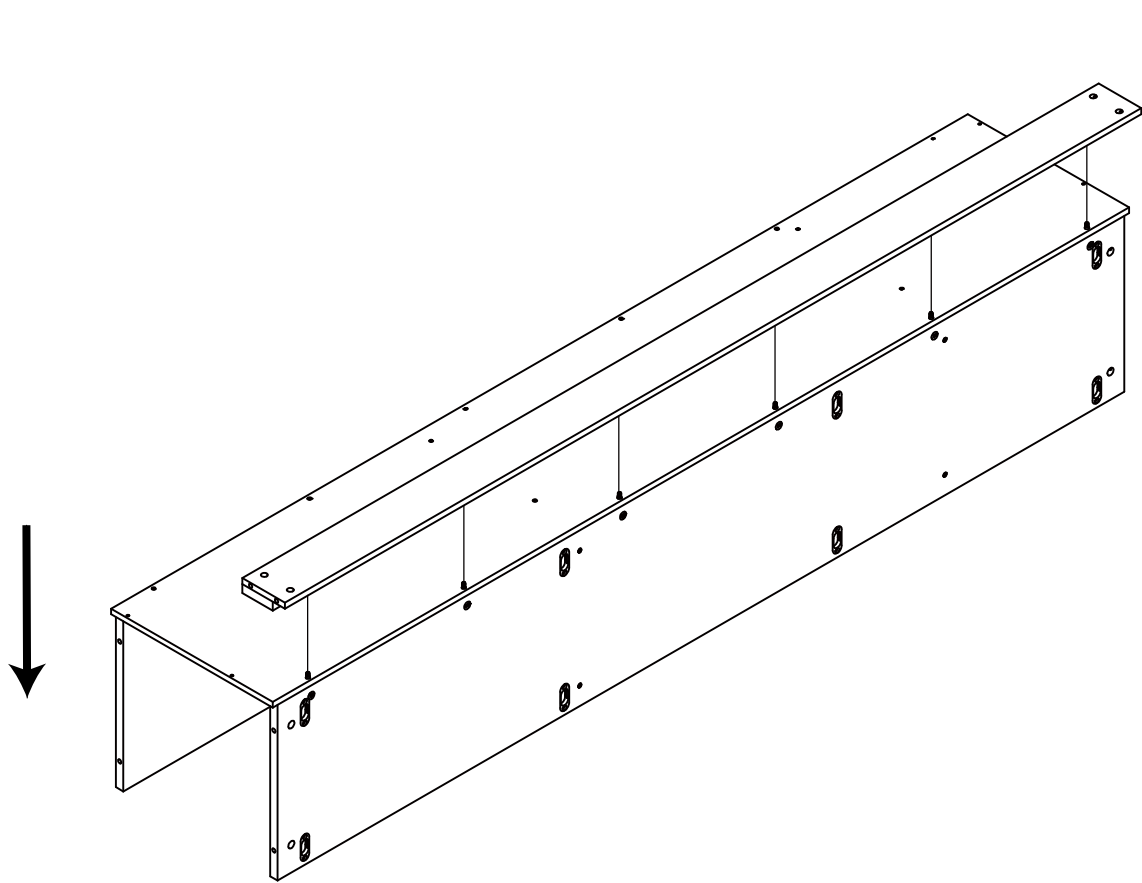


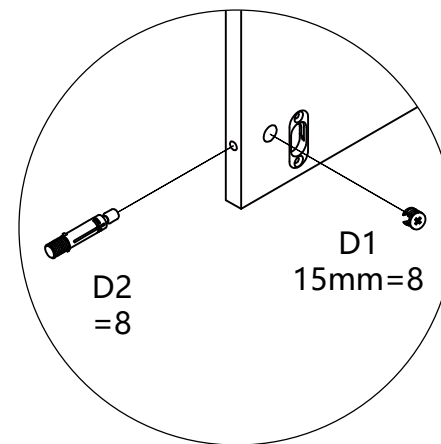
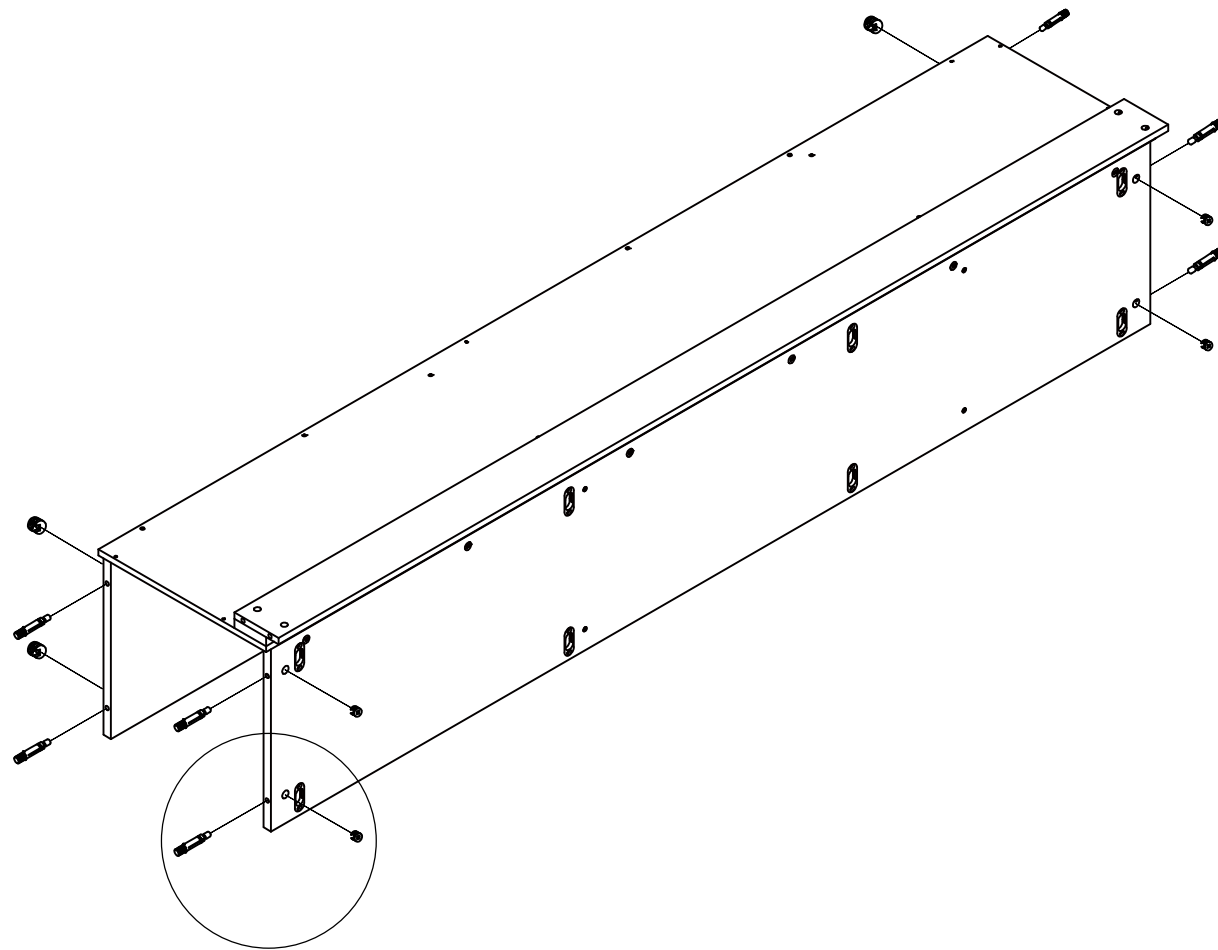
C
3mm=1





D2=6

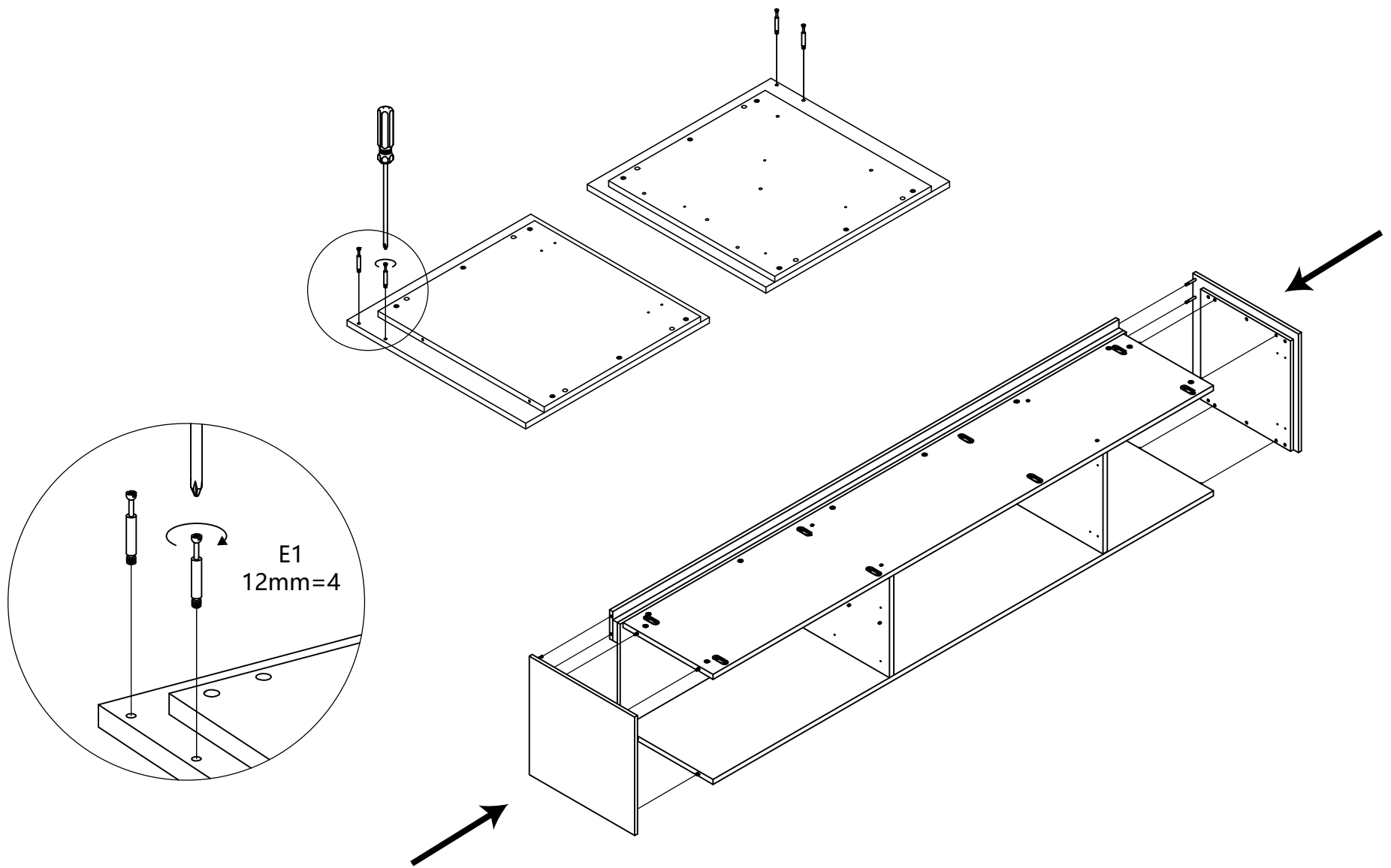




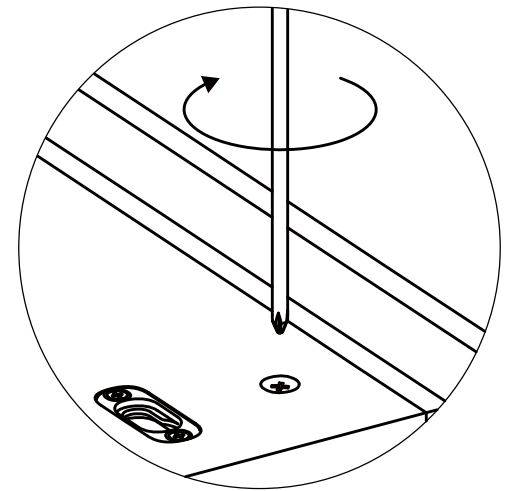
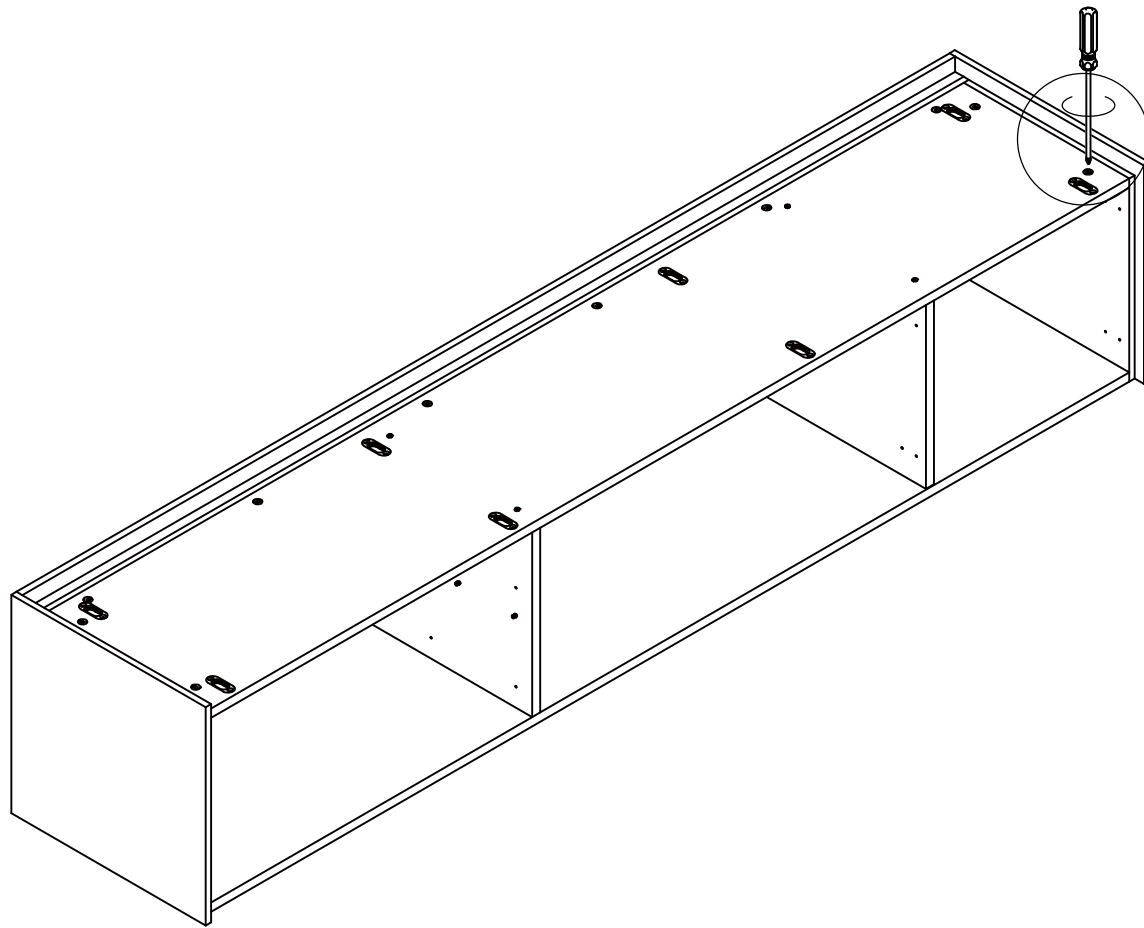


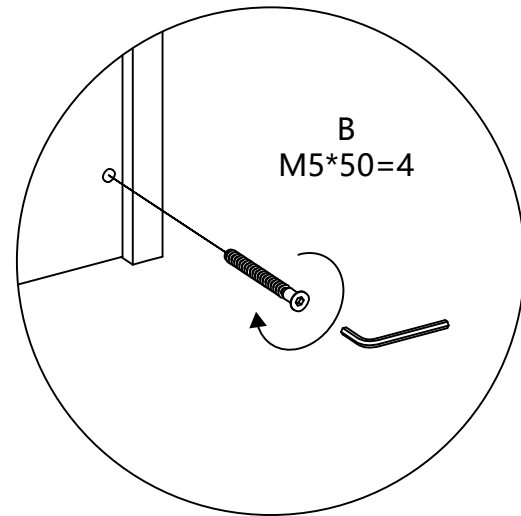
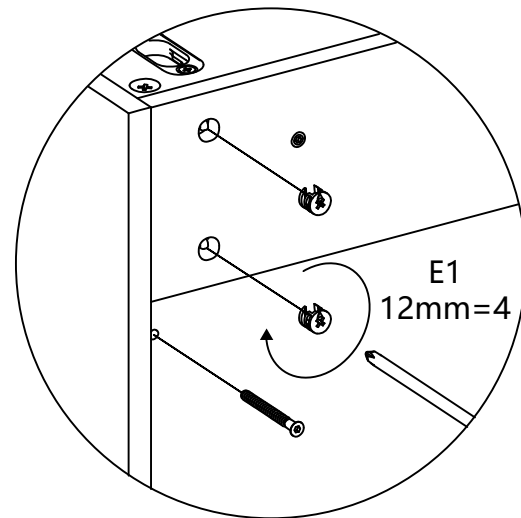
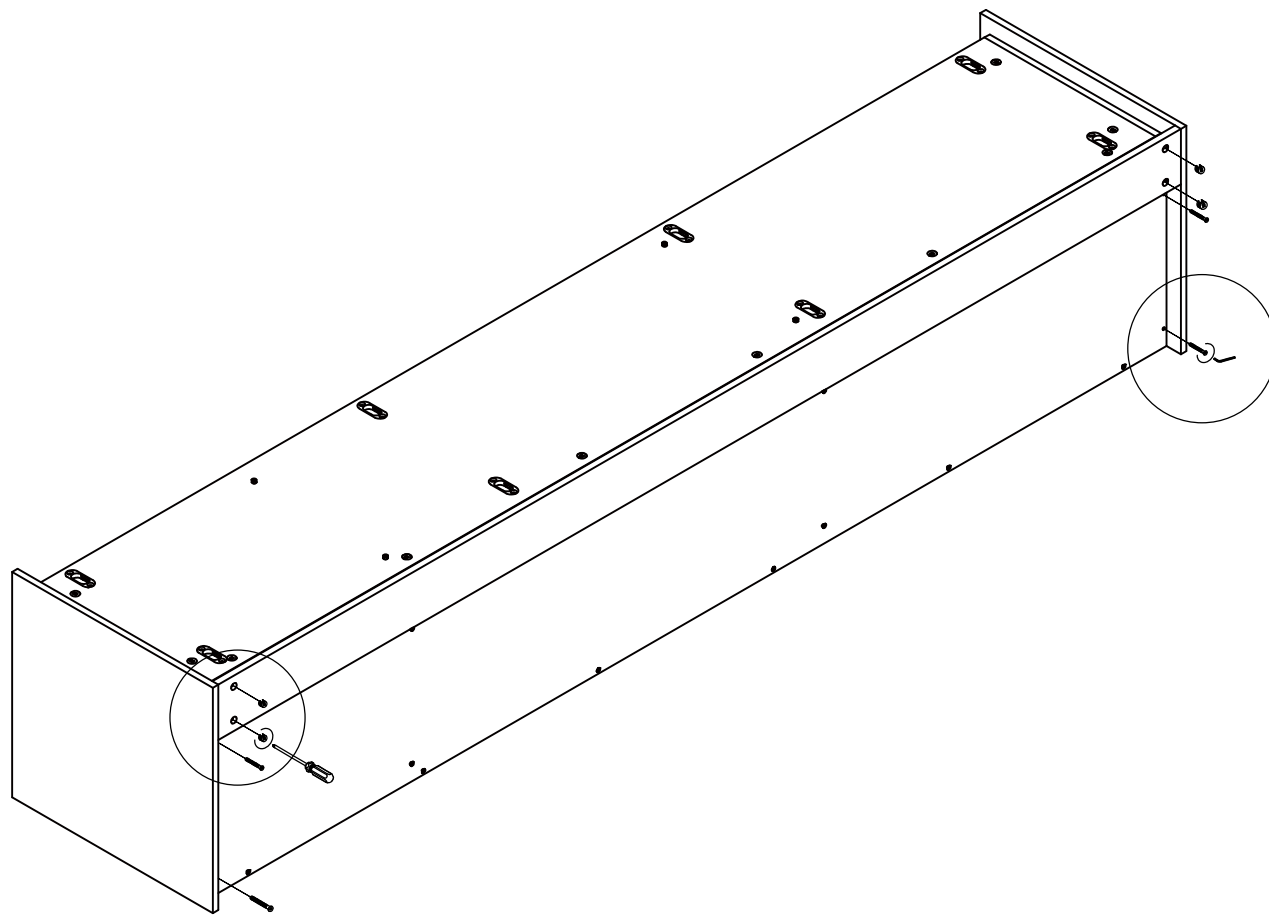
 D1
15mm=8

 D2=8



E2
=4

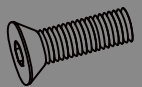
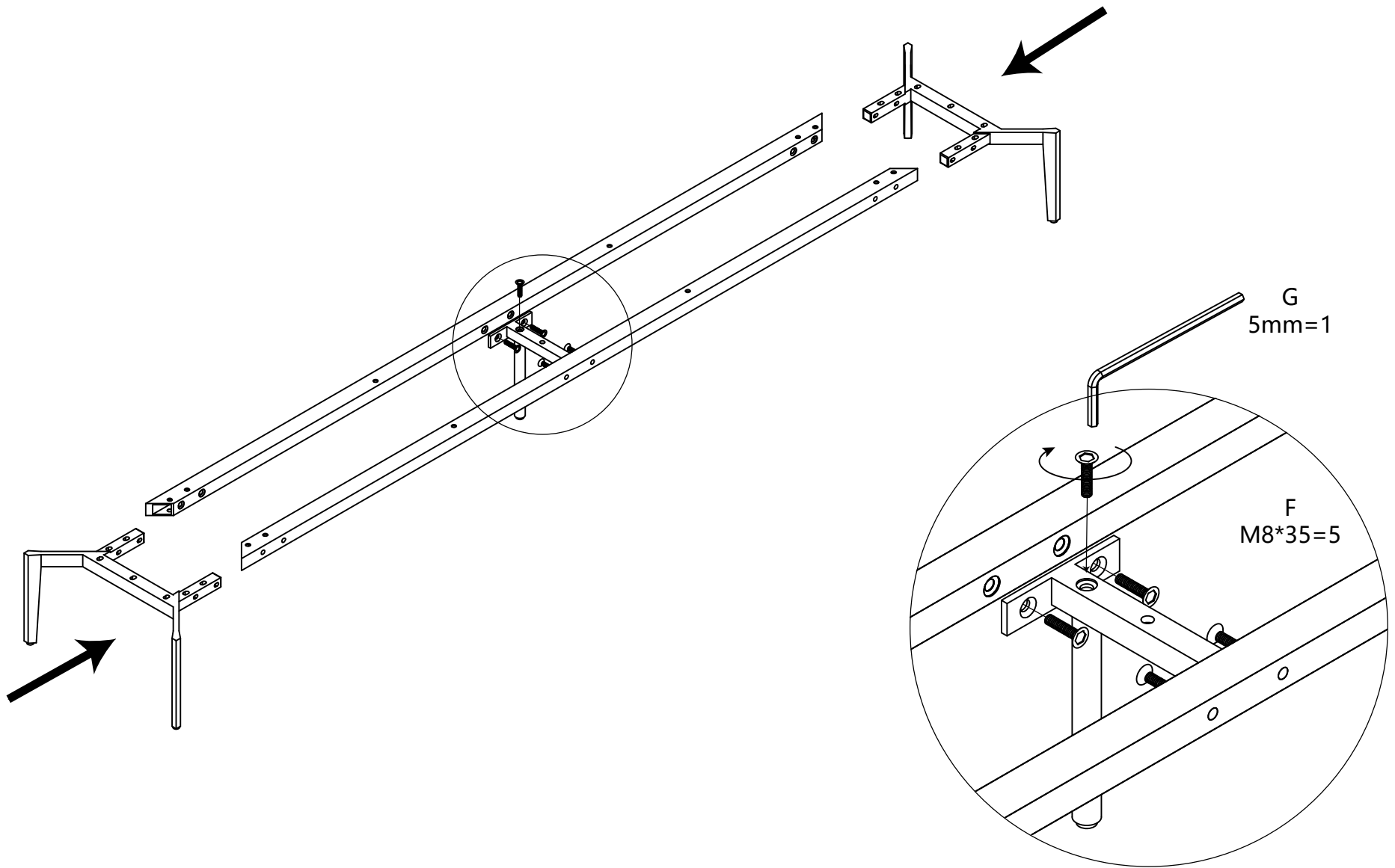




B
M5*50=4



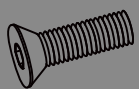
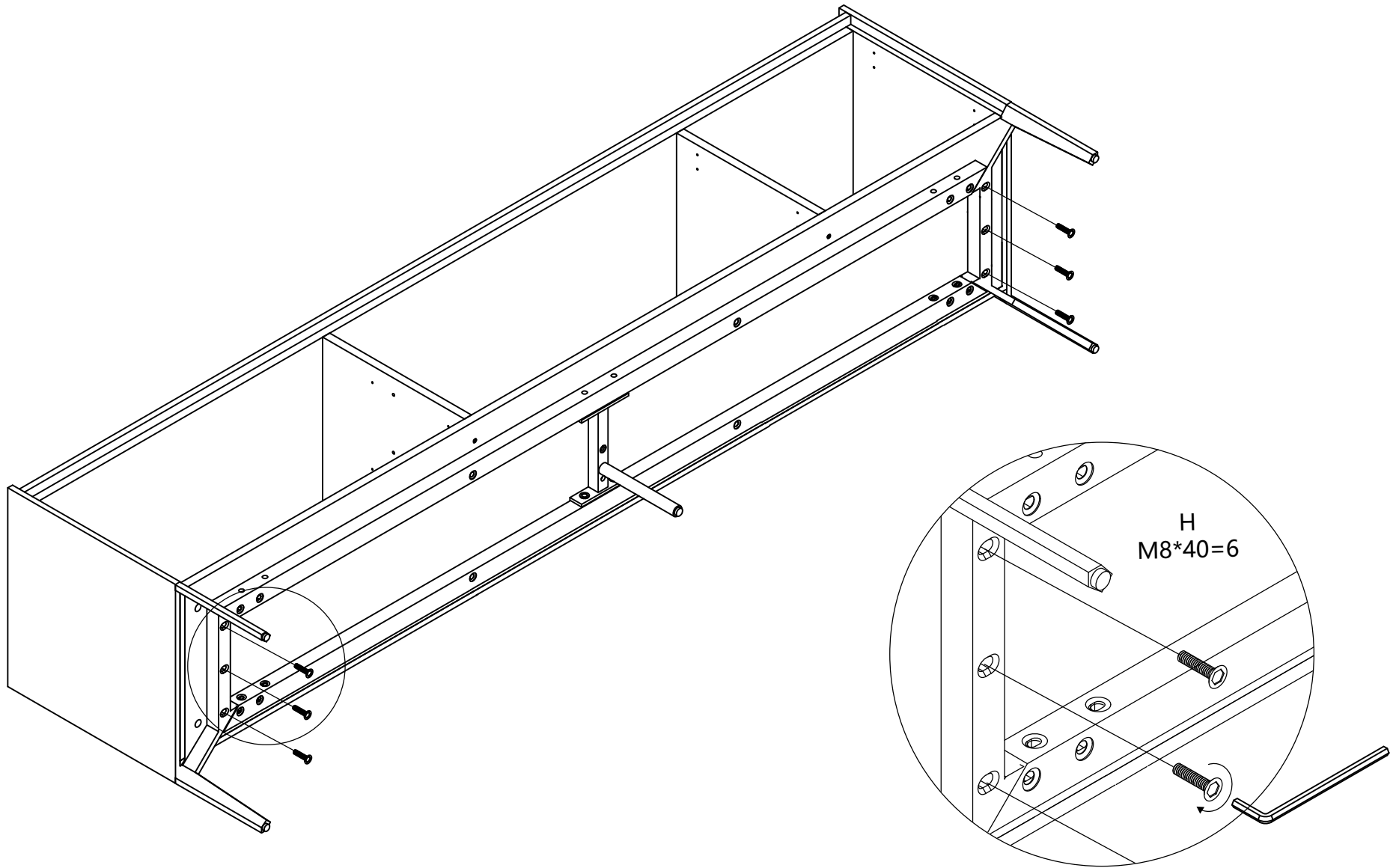
E1
12mm=4



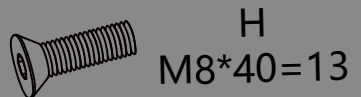
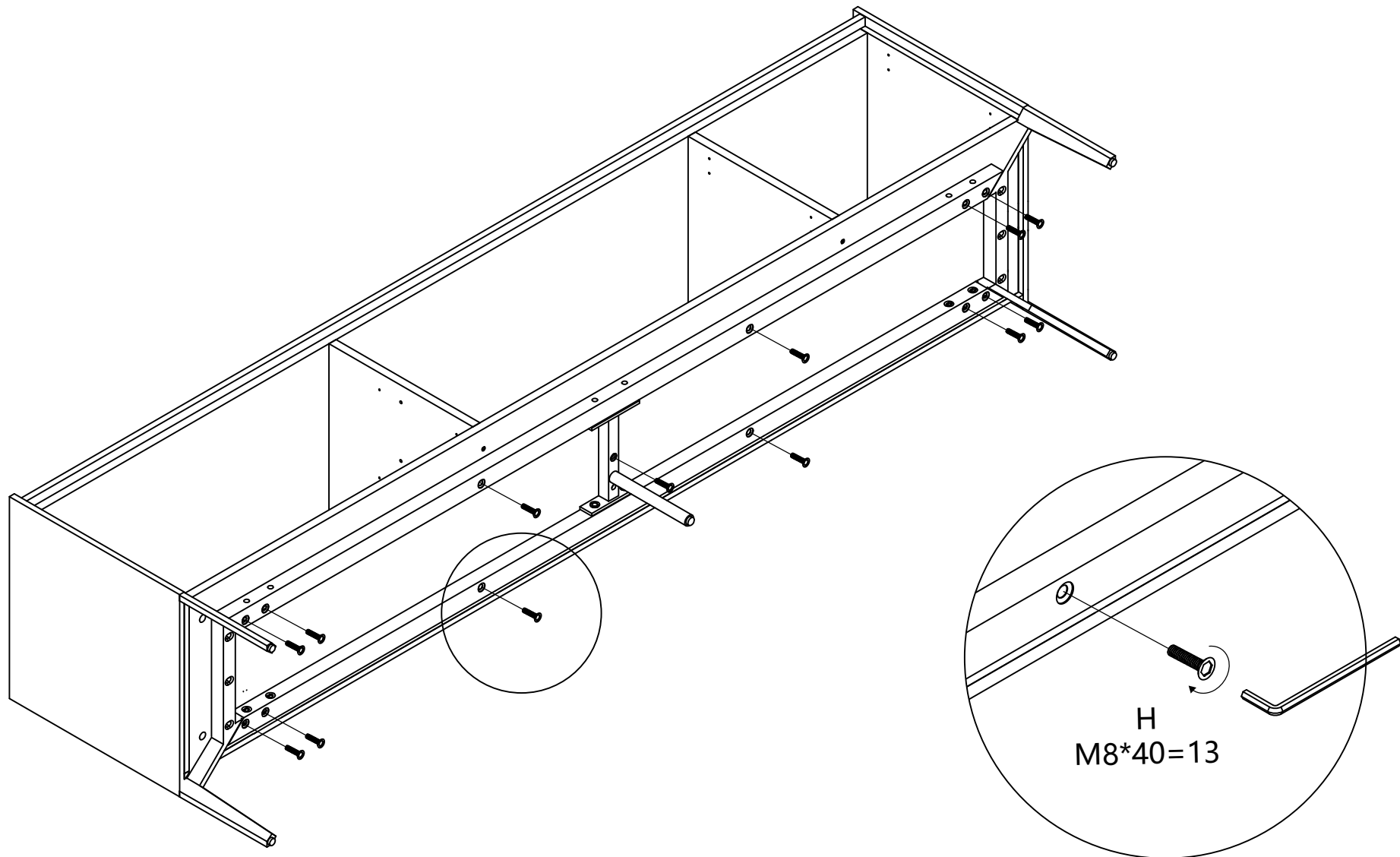
F
M8*35=5



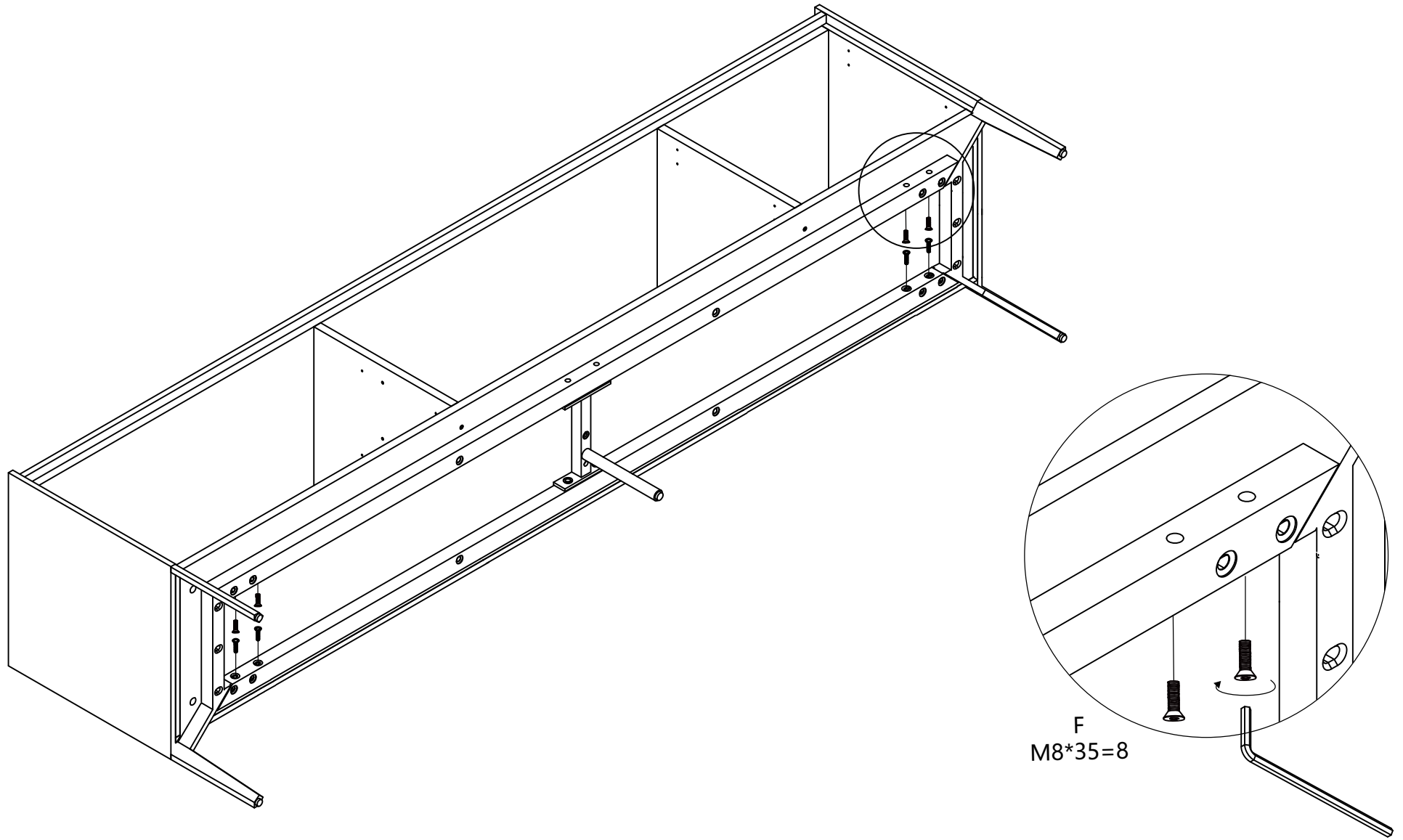
G
5mm=1



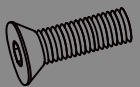
H
M8*40=6



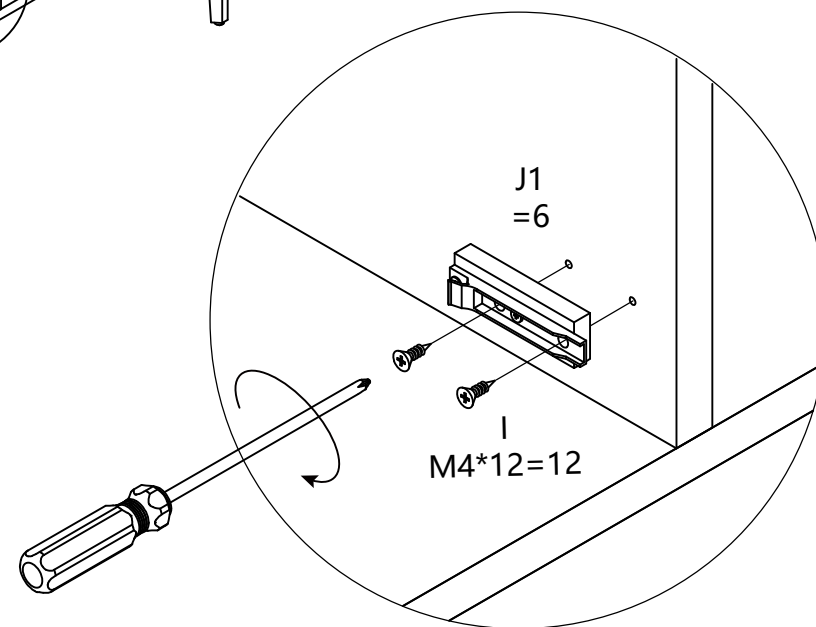
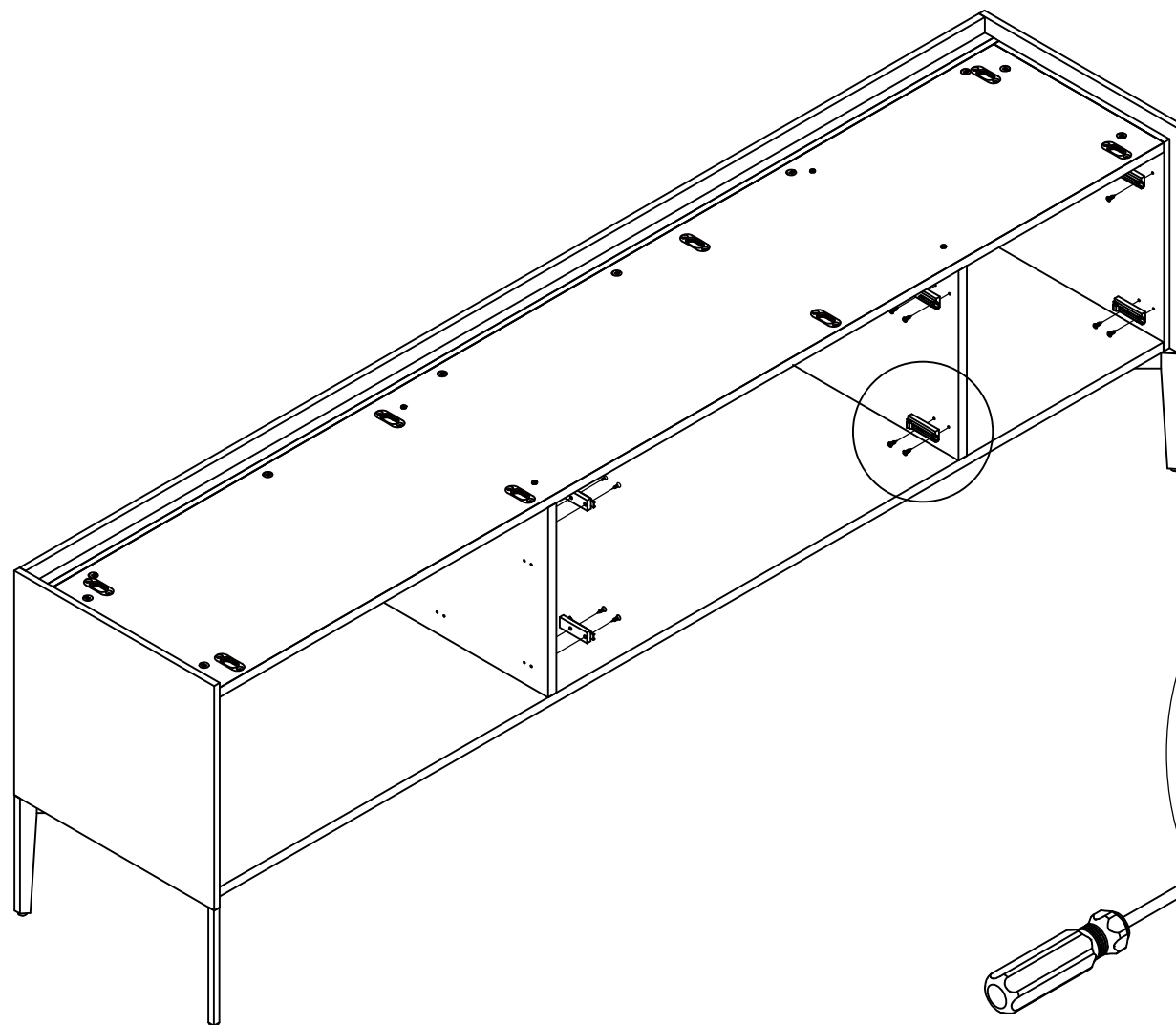
H
M8*40=13




F
M8*35=8



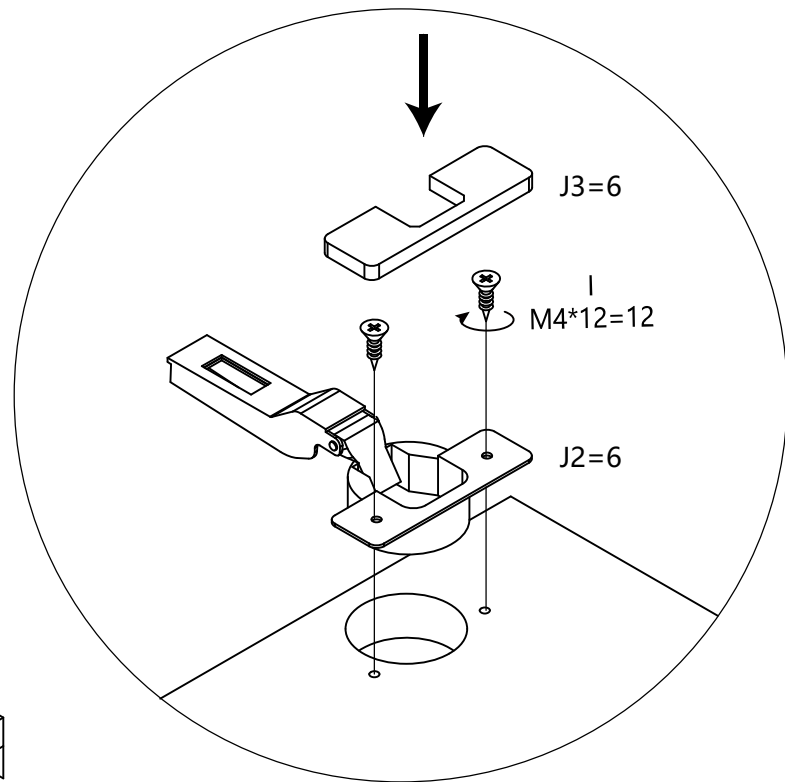
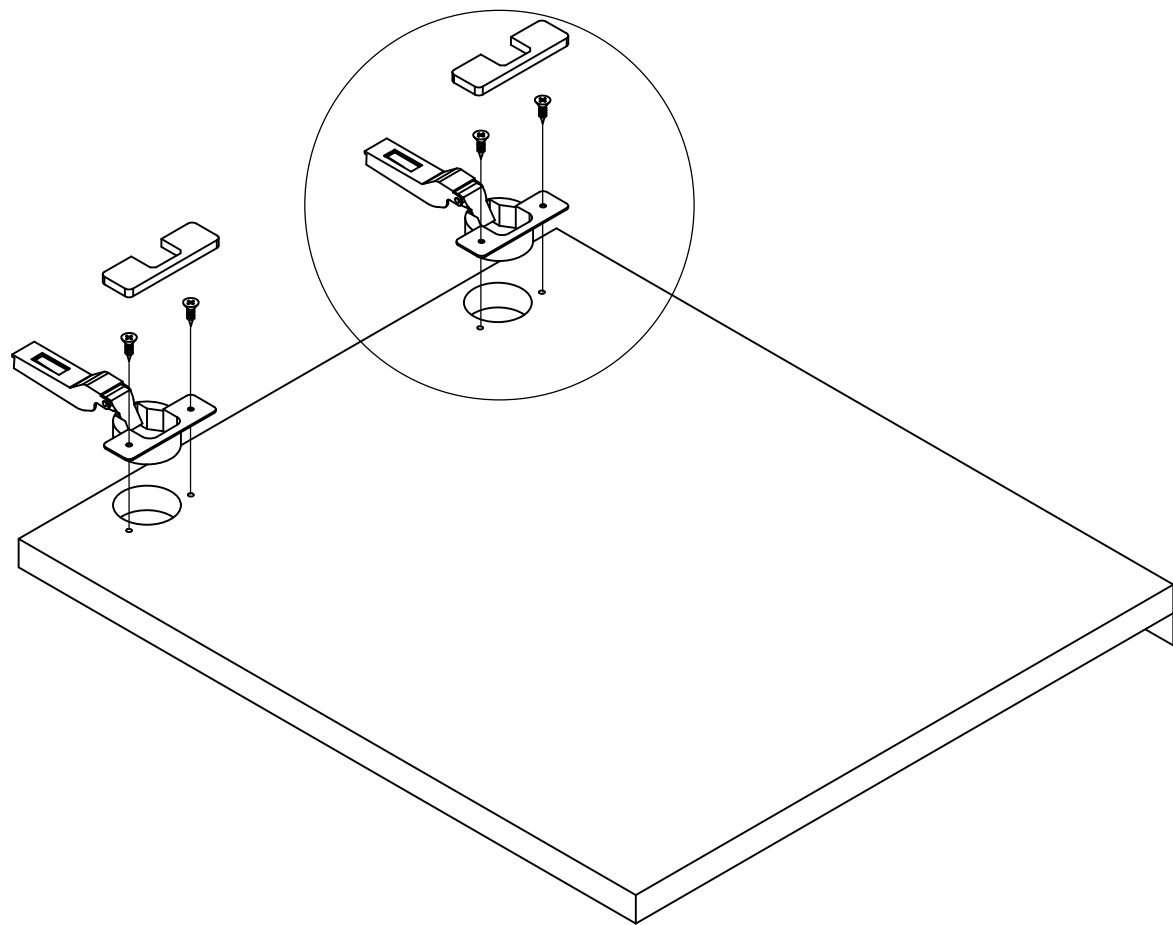
F
M8*35=8



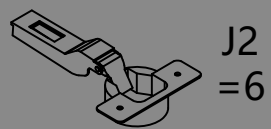
 M4*12=12

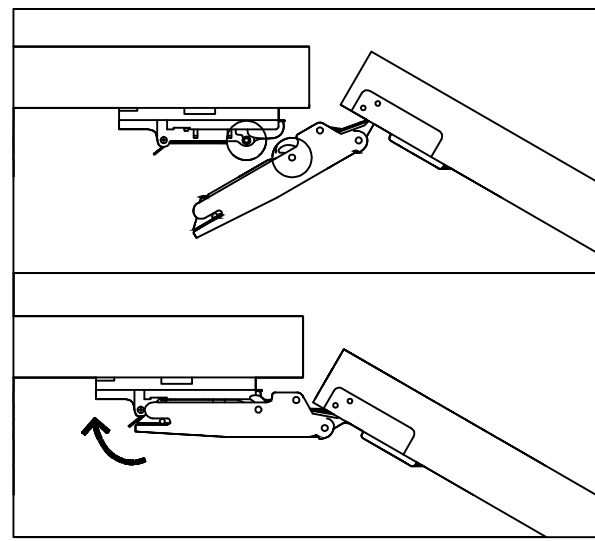
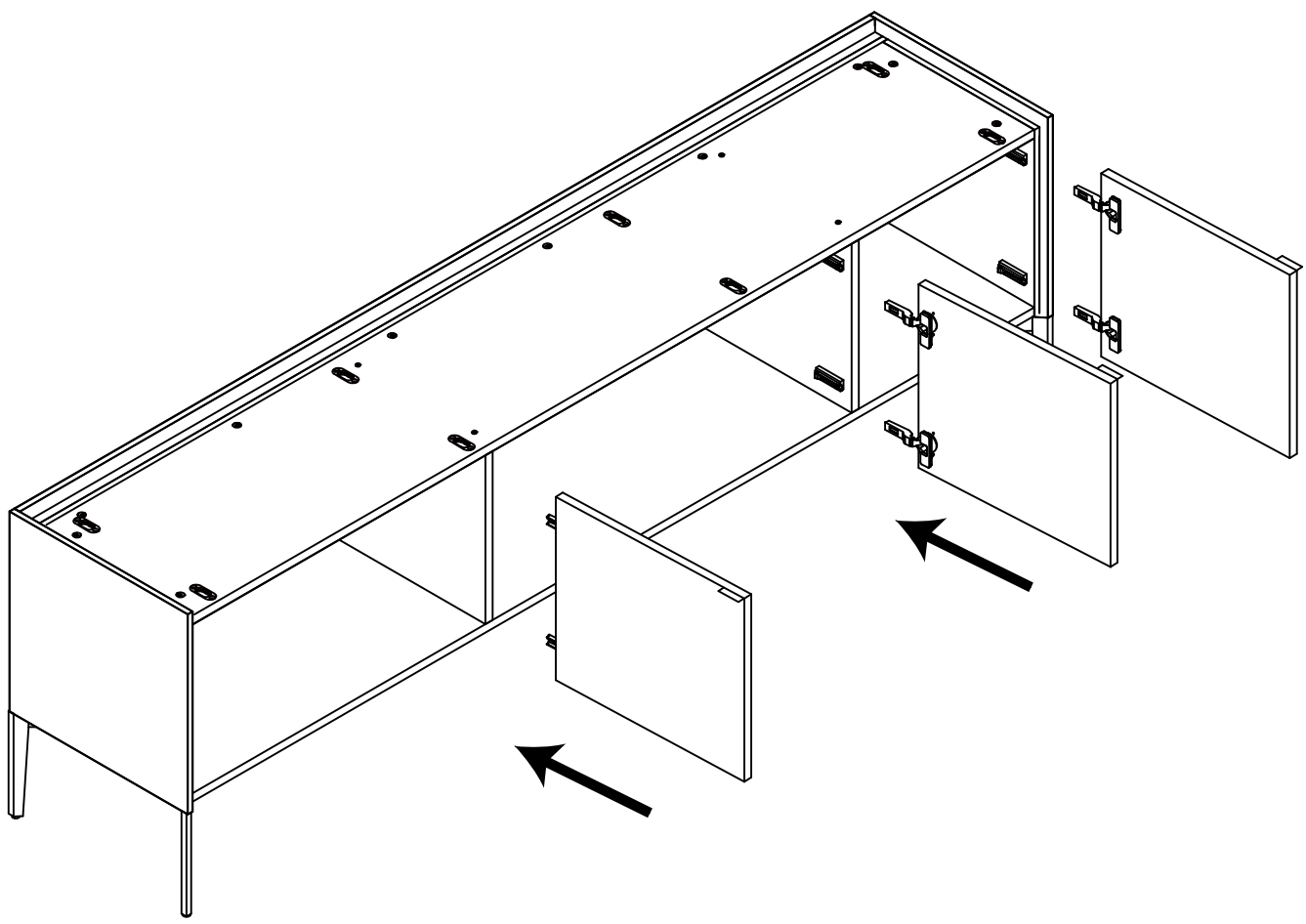


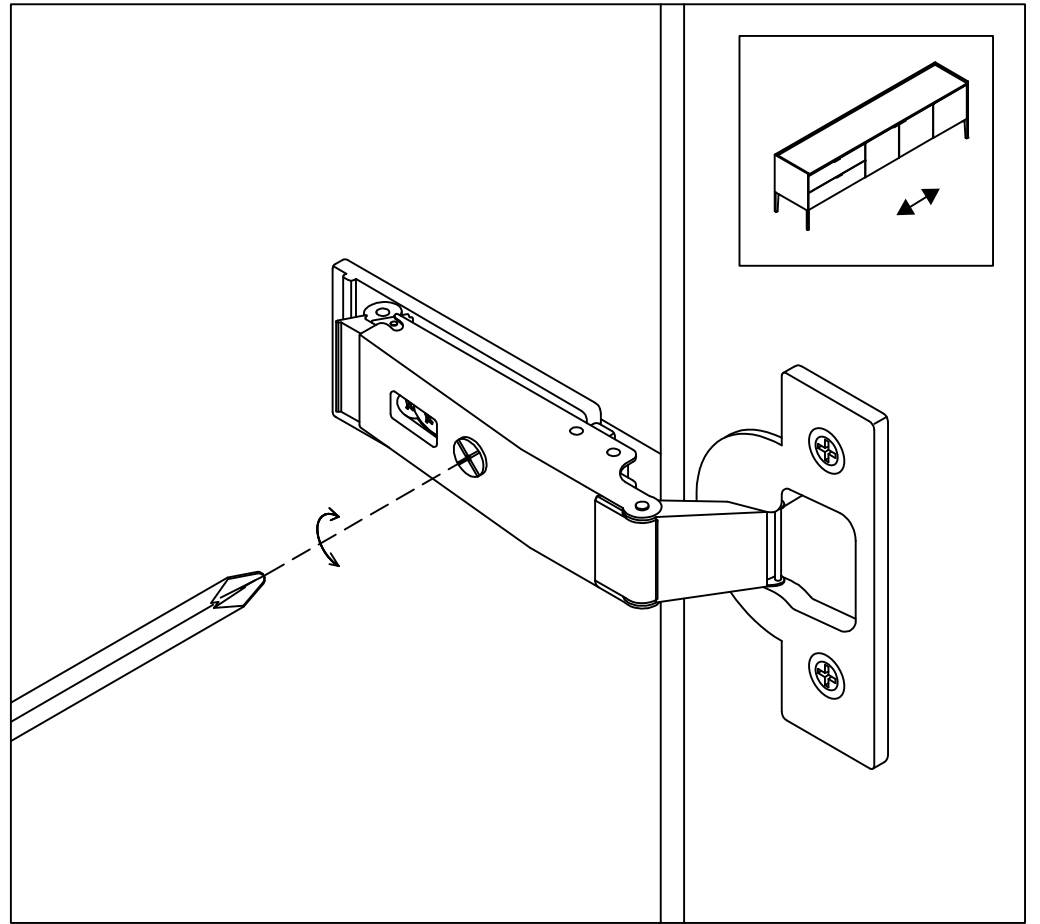
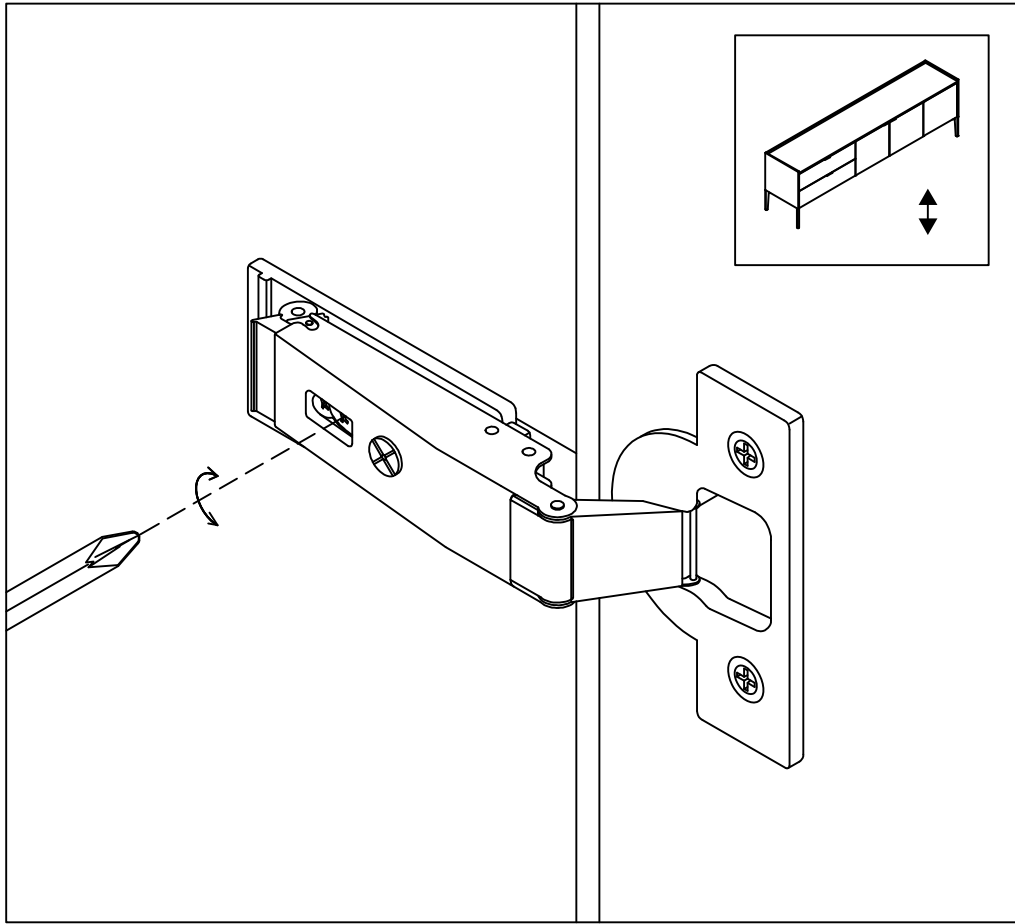
J1
=6

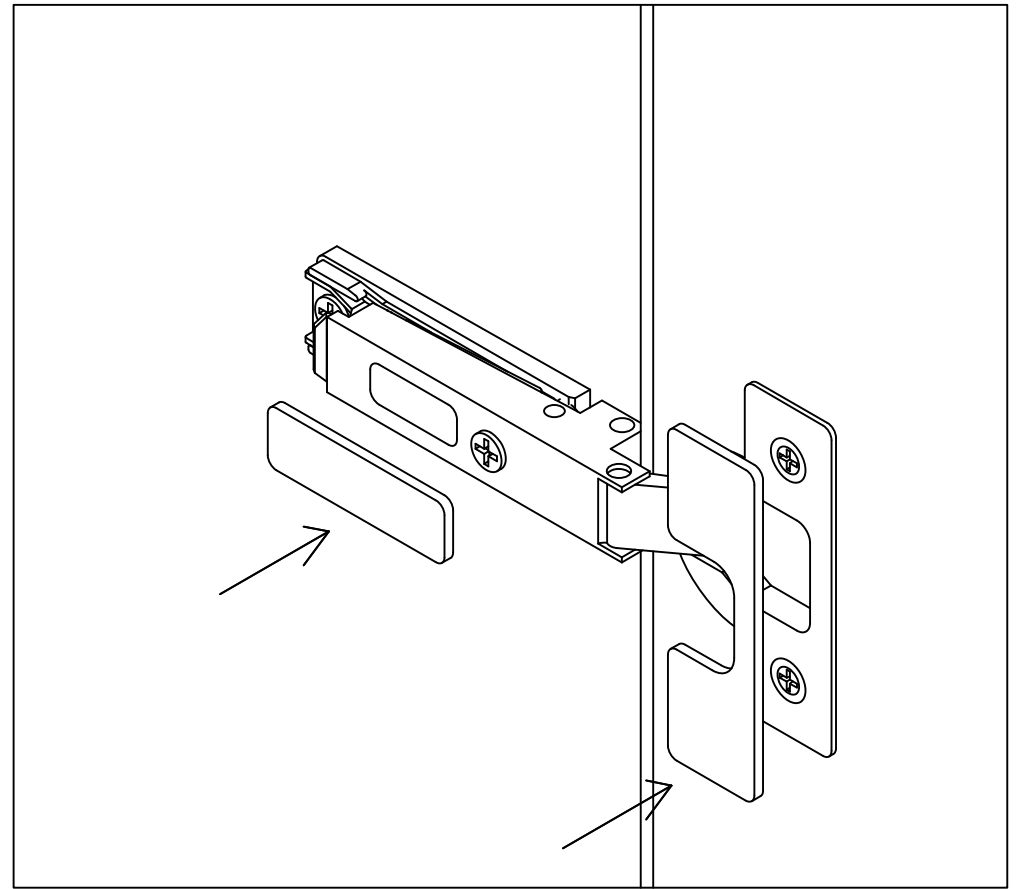
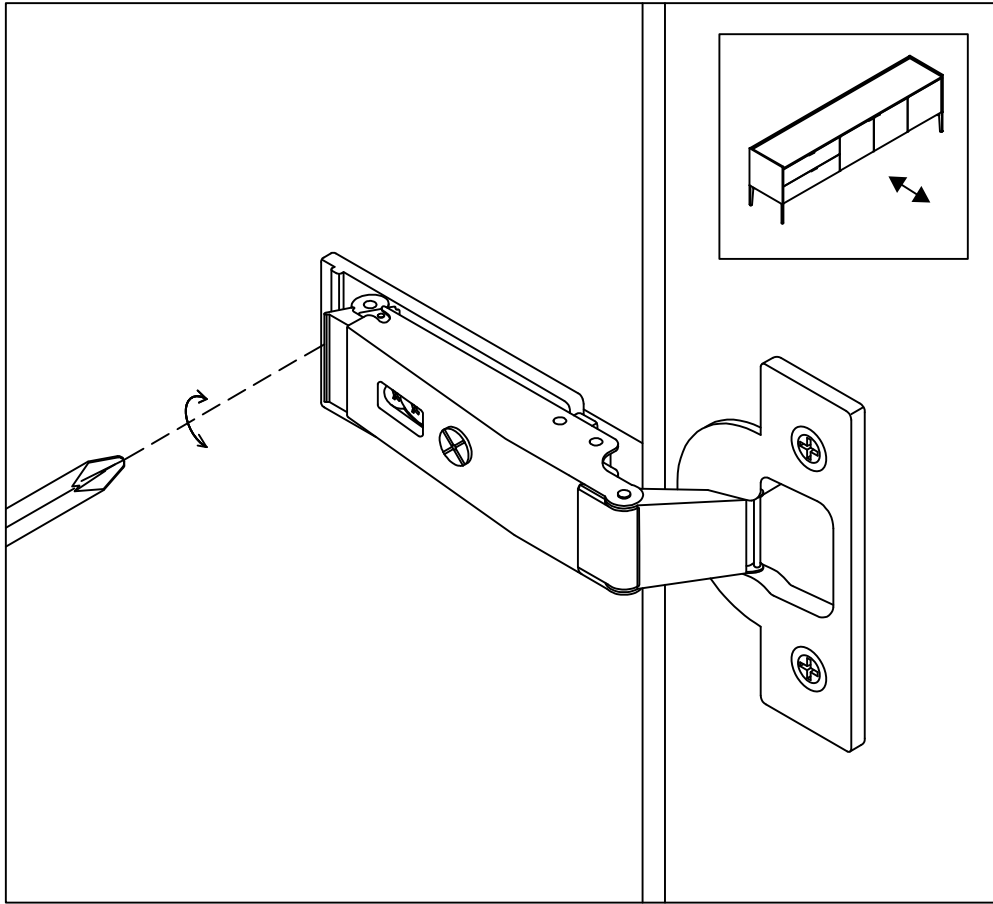


1
M4*12=12

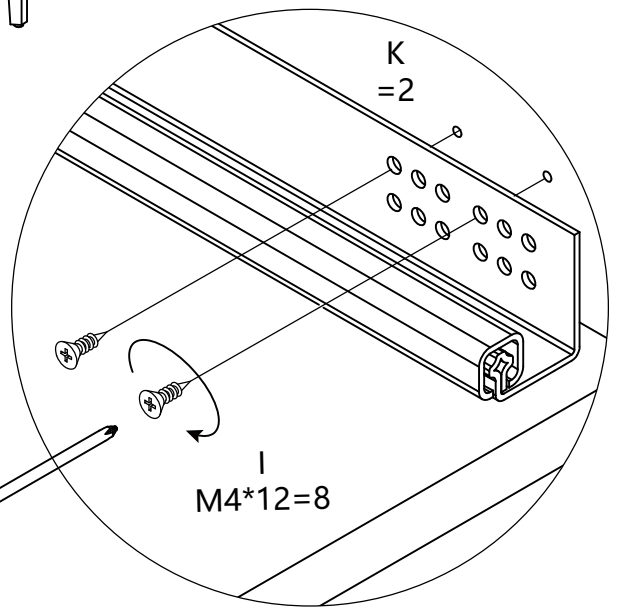
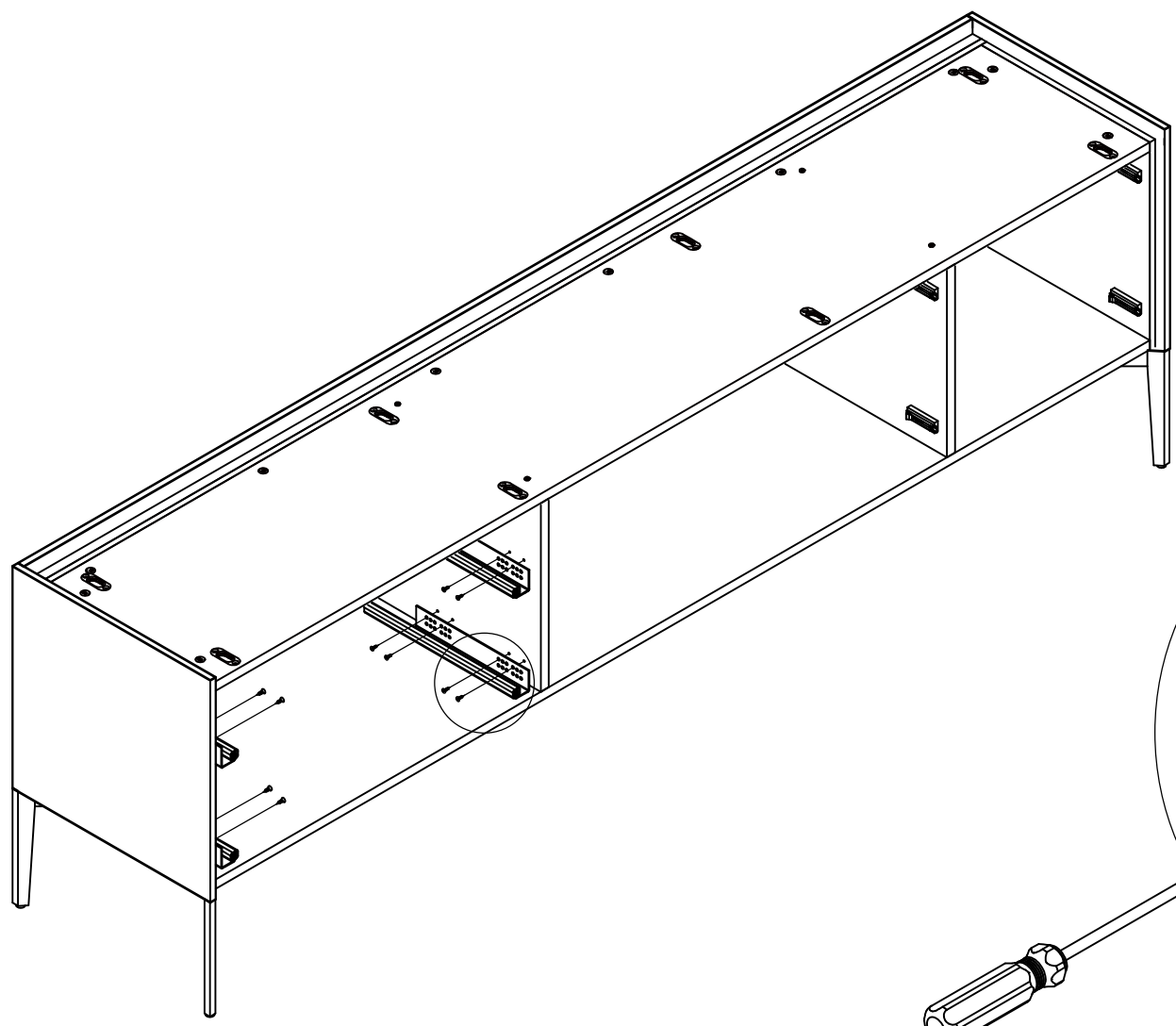





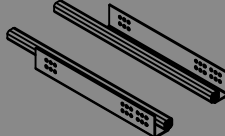


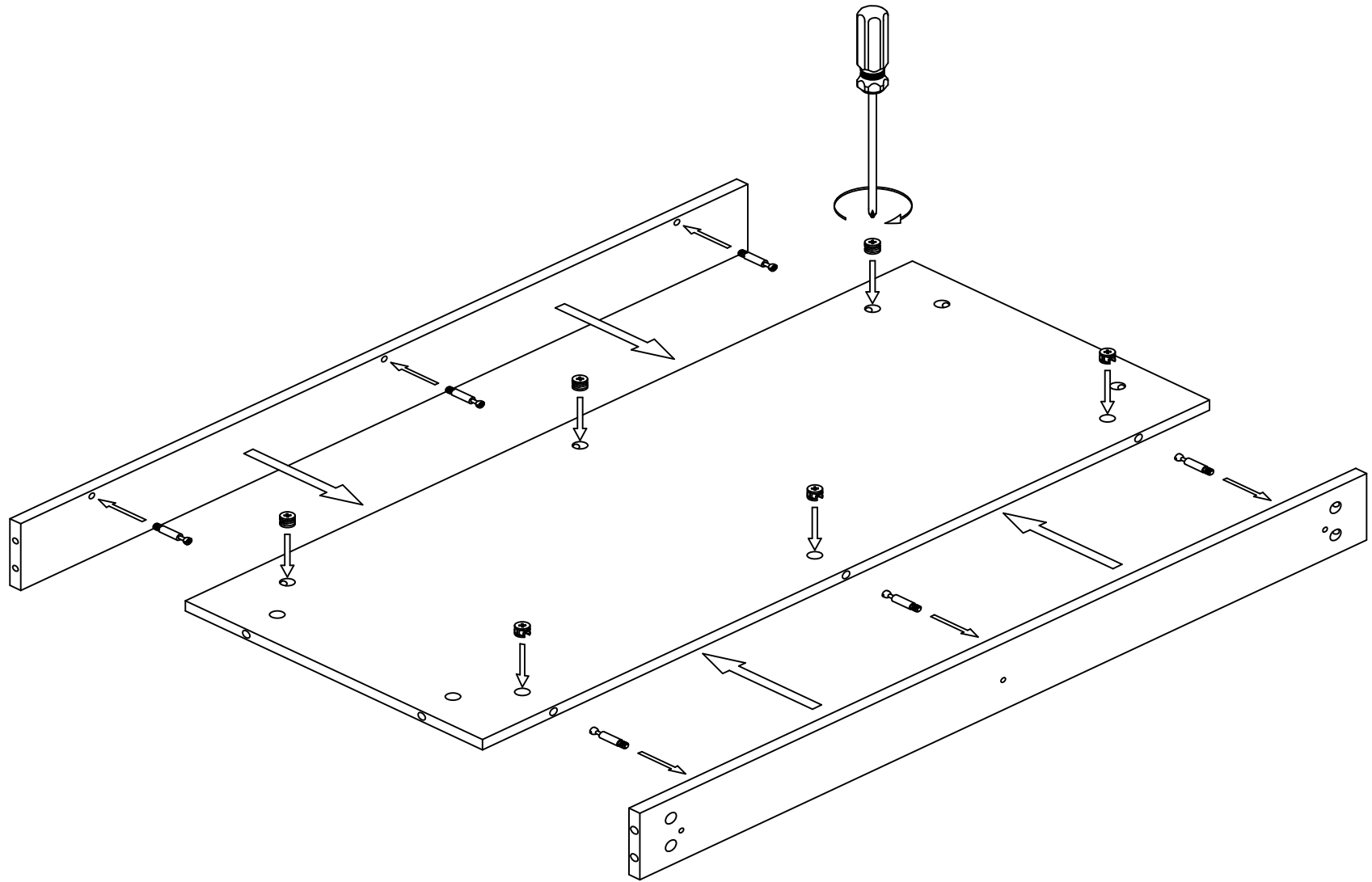


K4
=6

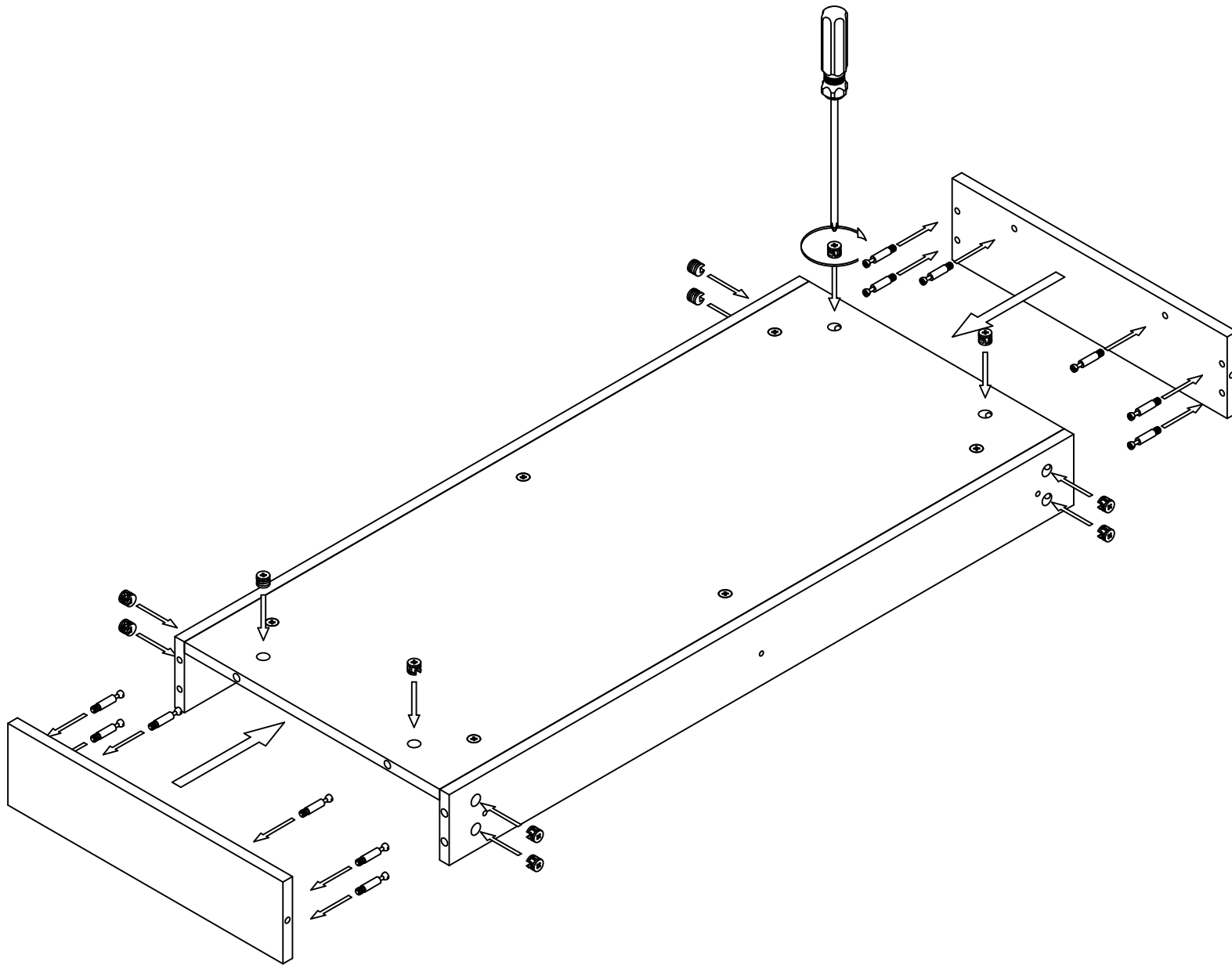


 I
M4*12=16

 K
=2

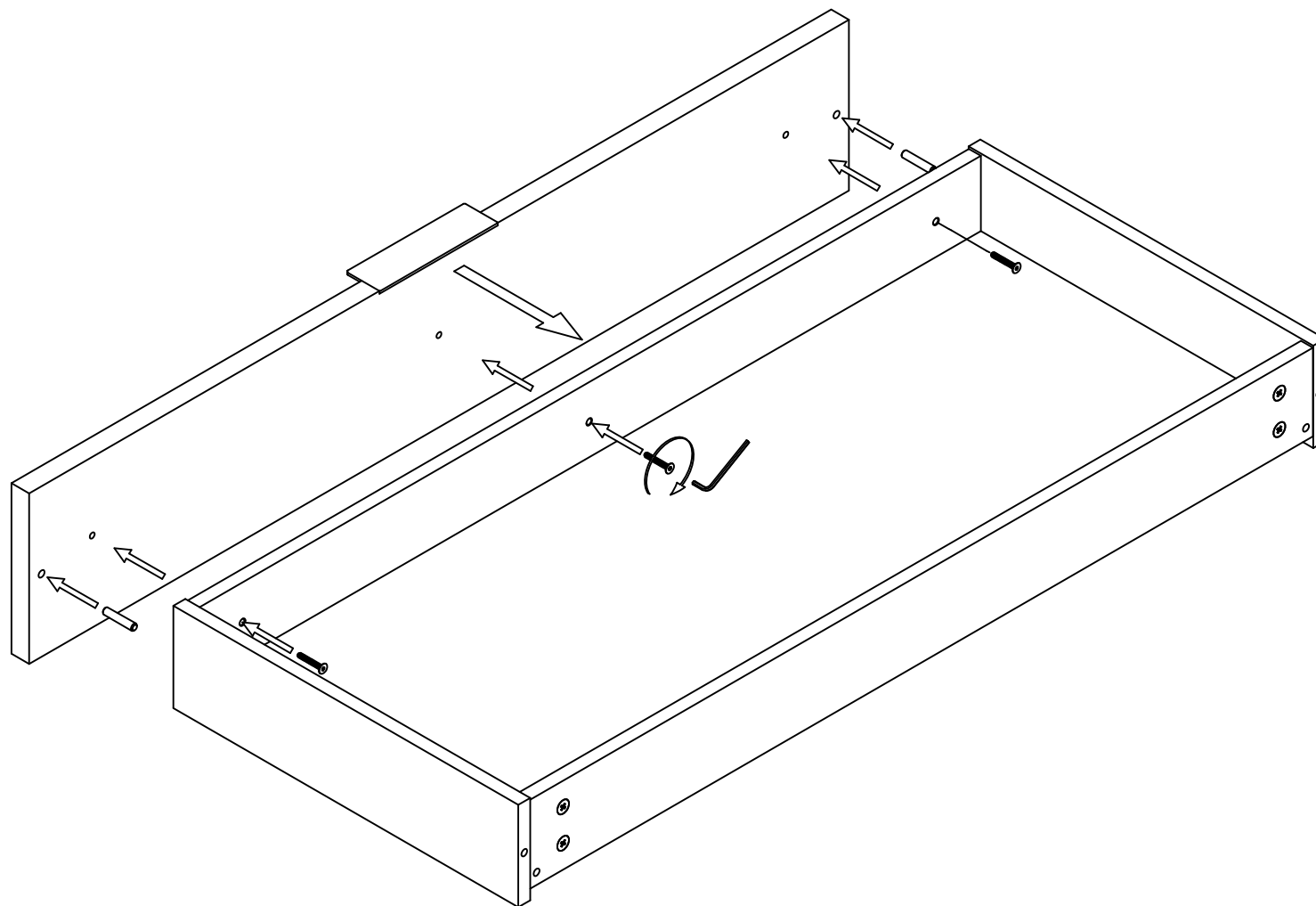



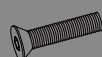

E1
12mm=6
E2
=6

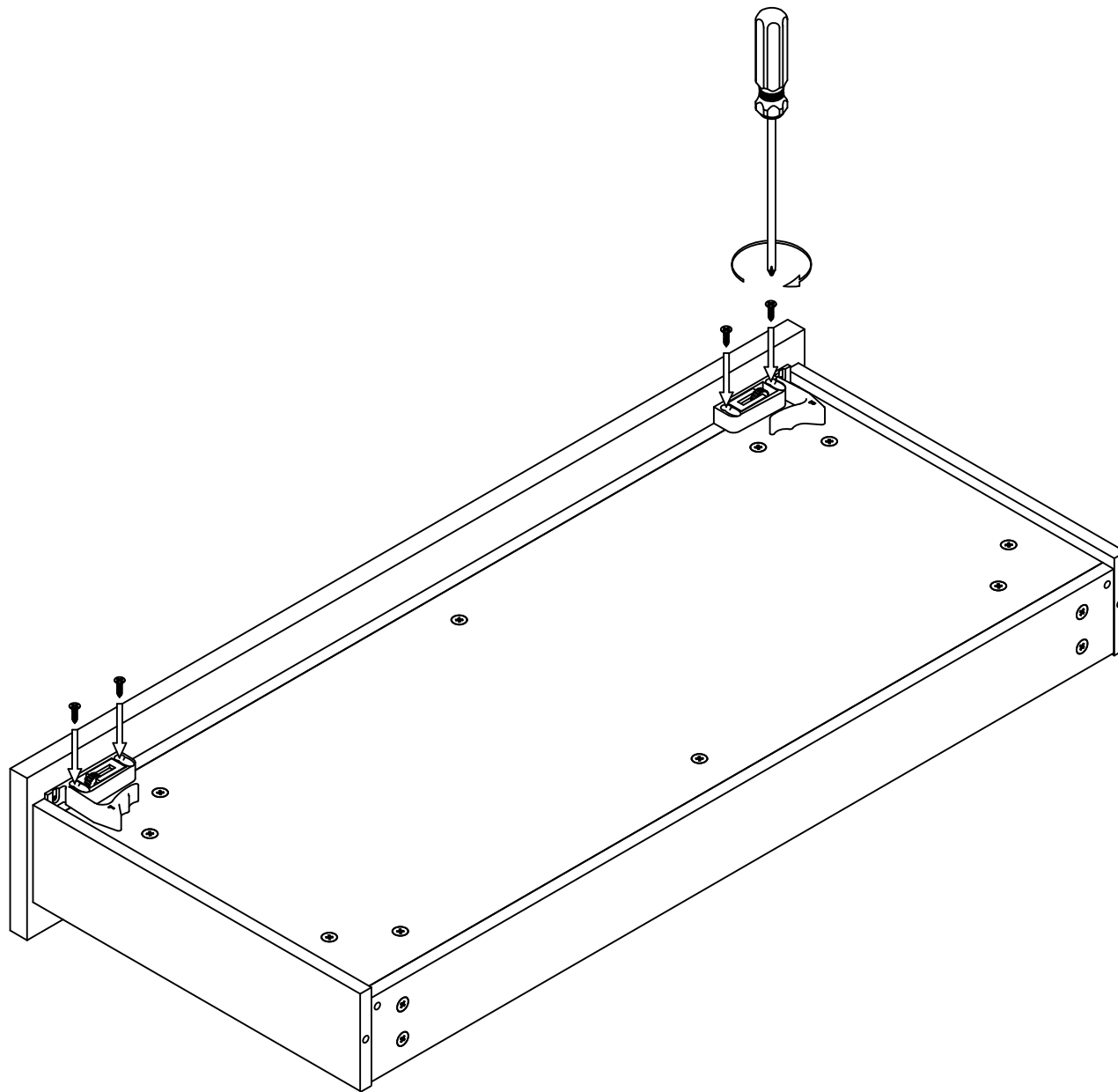



E1
12mm=12


E2
=12



-  L
 $\Phi 6 \times 30 = 2$
-  M
 $M4 \times 25 = 3$
-  N
 $2.5\text{mm} = 1$



 Q
M4*16=4

 O
=1

