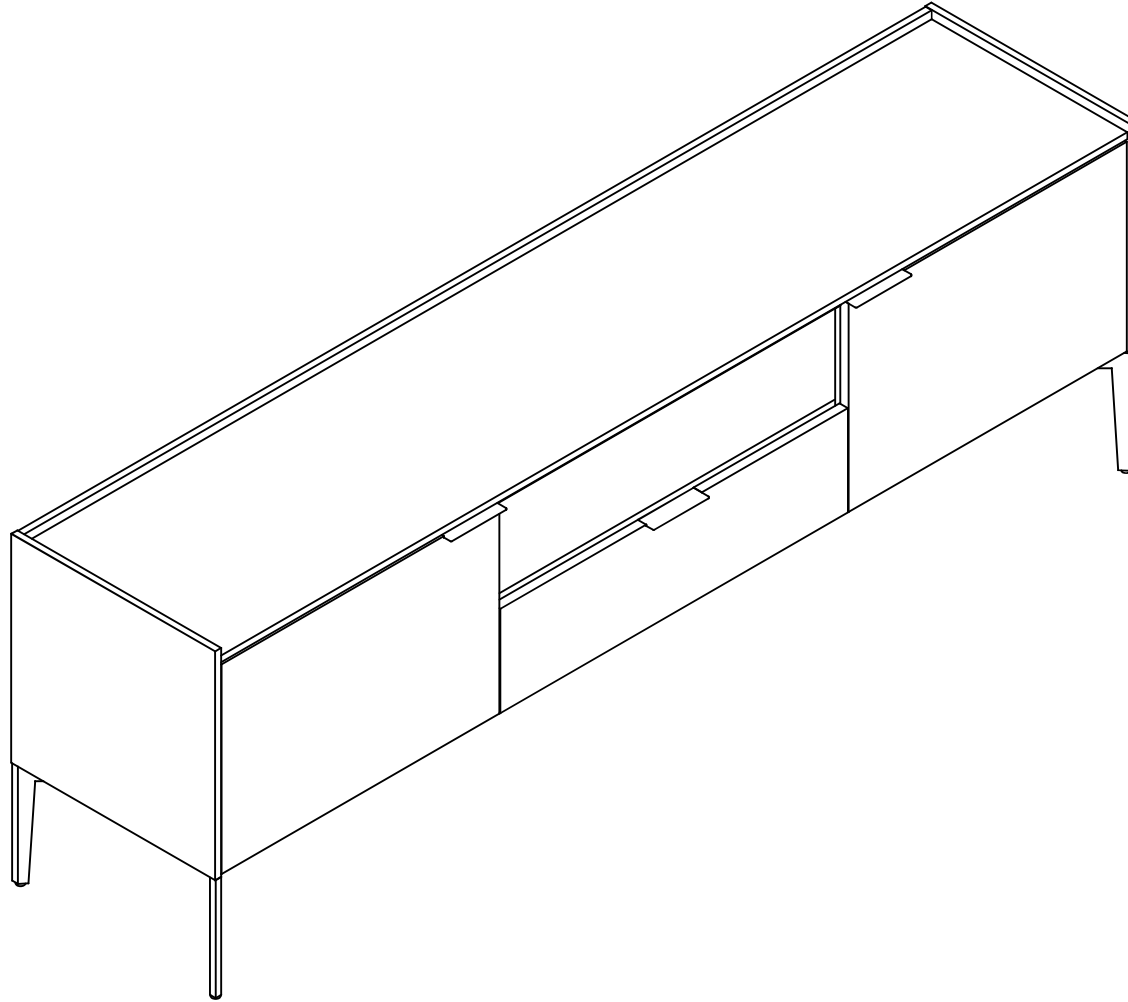


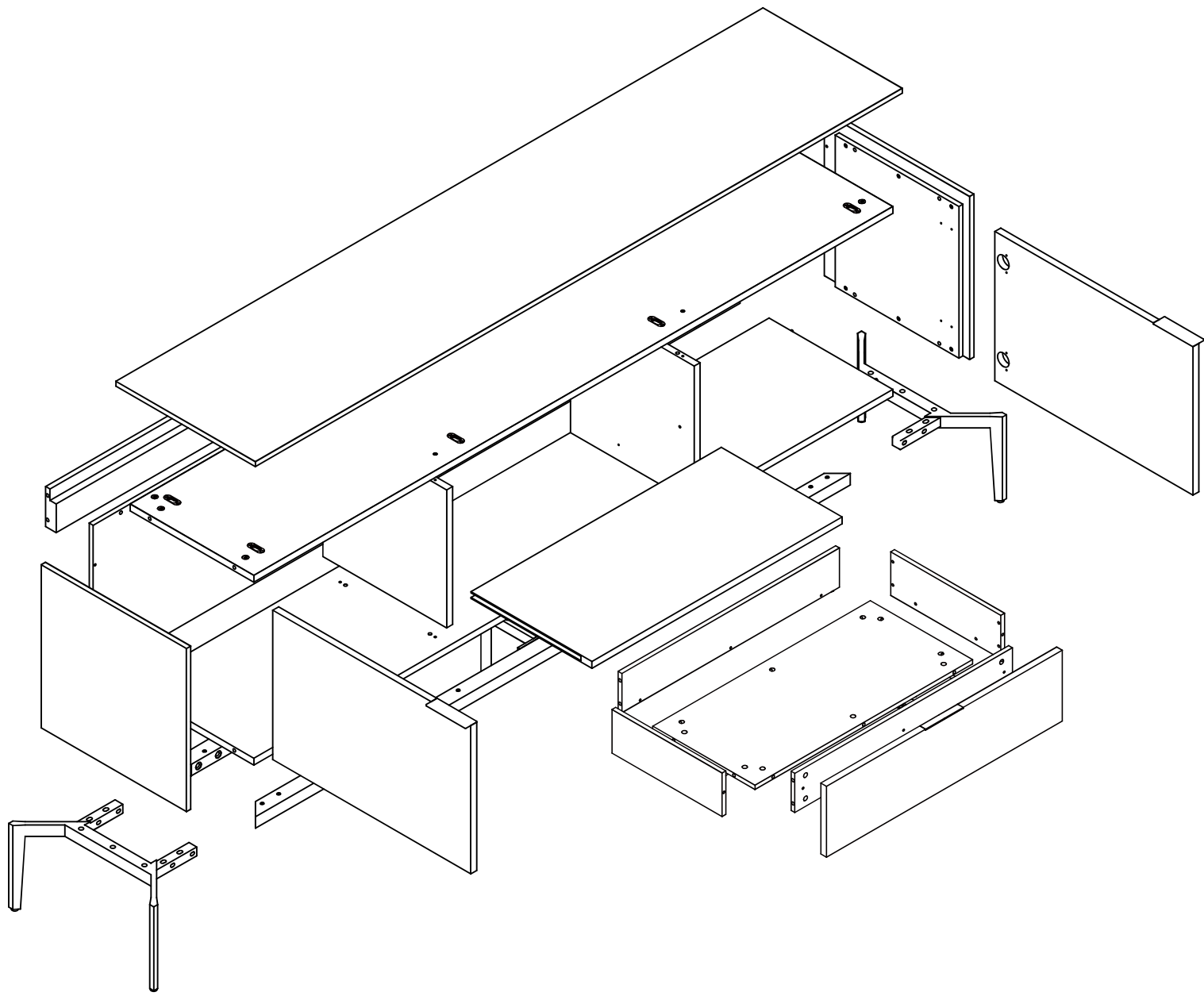
MATRIX

C04H0803.

Install Instruction



CAMERICH





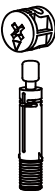
A
 $\Phi 8*30=8$




B
 $M5*50=21$



C
3mm=1



D1
15mm=13
D2
=13



E1
12mm=22
E2
=22



F
 $M8*35=13$



G
5mm=1



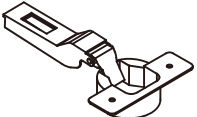
H
 $M8*40=19$




I
 $M4*12=24$



J1
=4



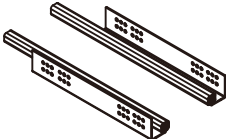
J2
=4



J3
=4



J4
=4



K
=1




L
 $\Phi 6*30=2$



M
 $M4*25=3$



N
2.5mm=1



O
=1



P
=8



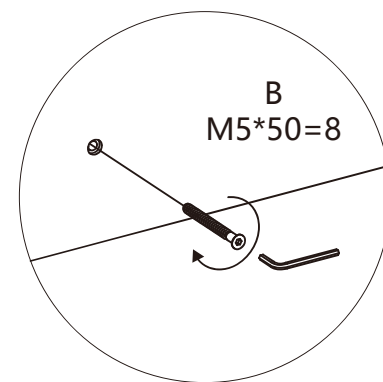
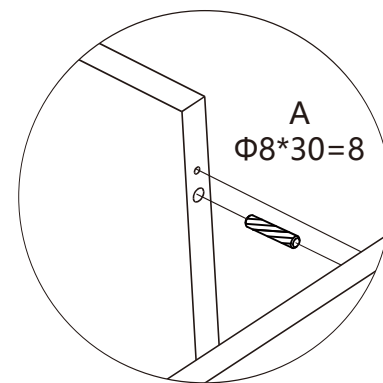
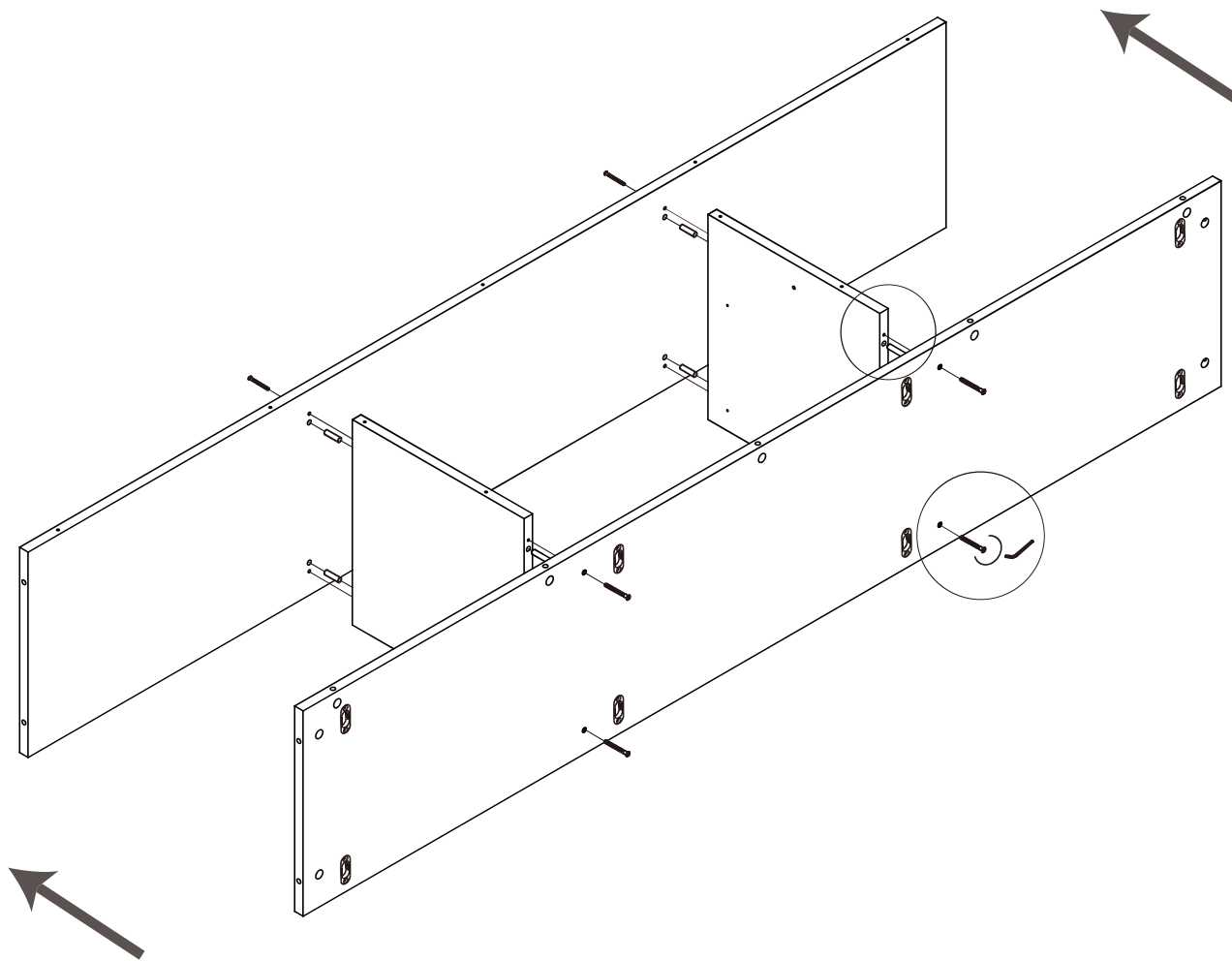
Q
 $M4*16=12$




R=1




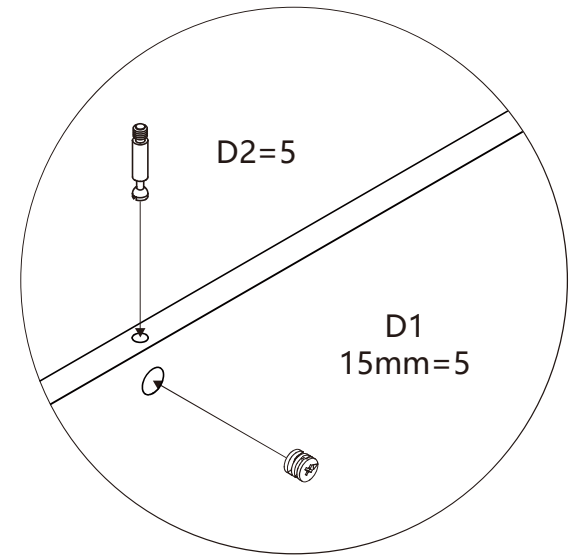
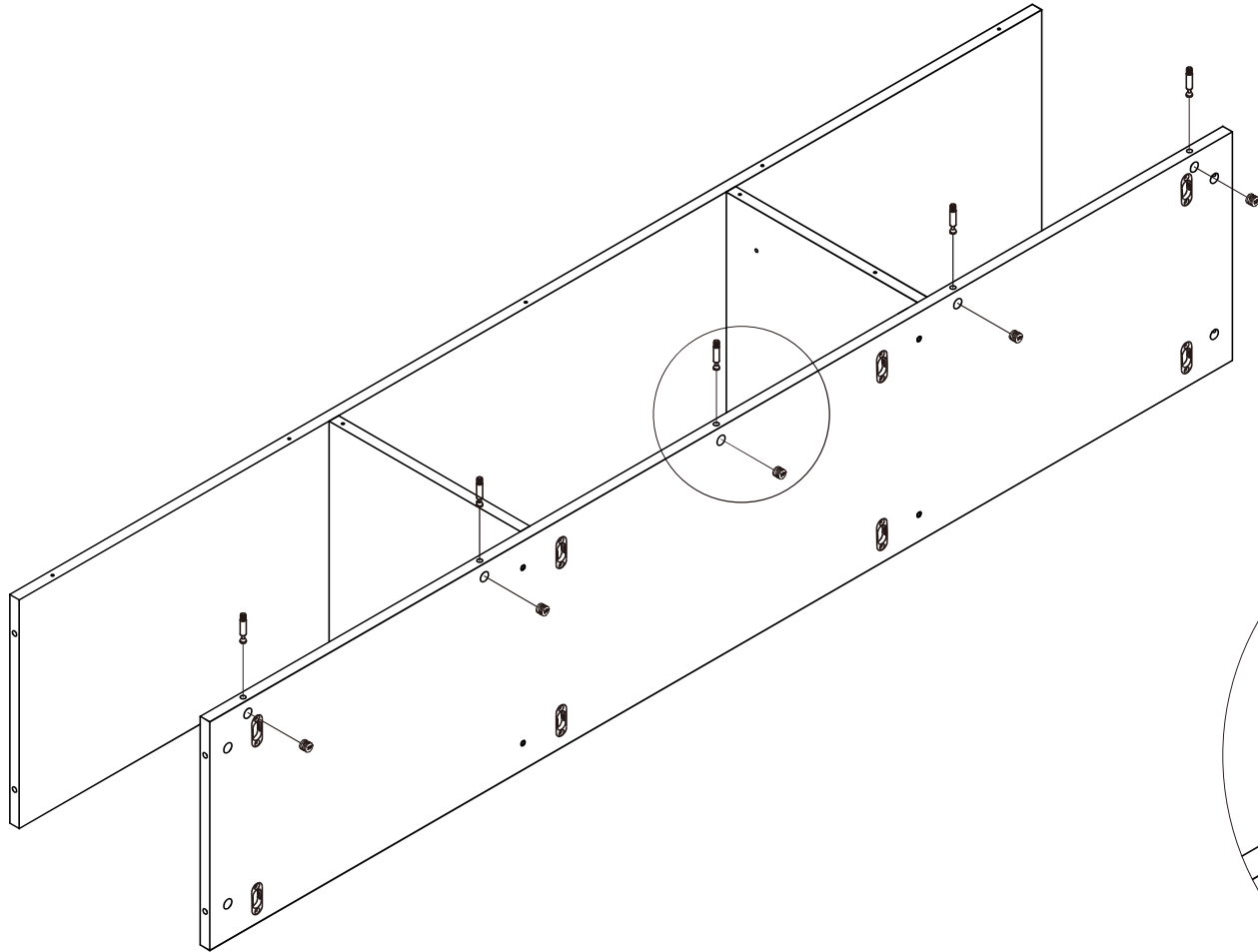
S=4



 A
 $\Phi 8 * 30 = 8$

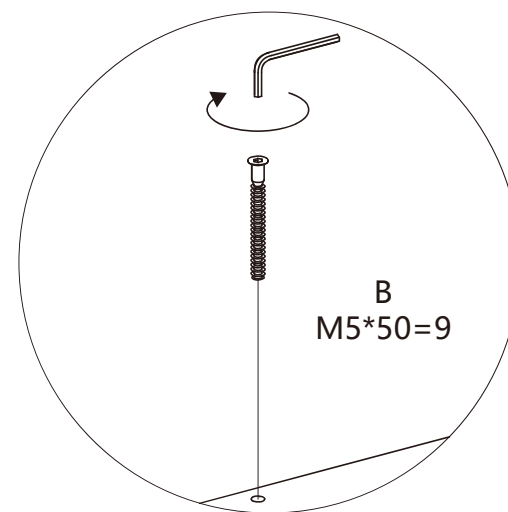
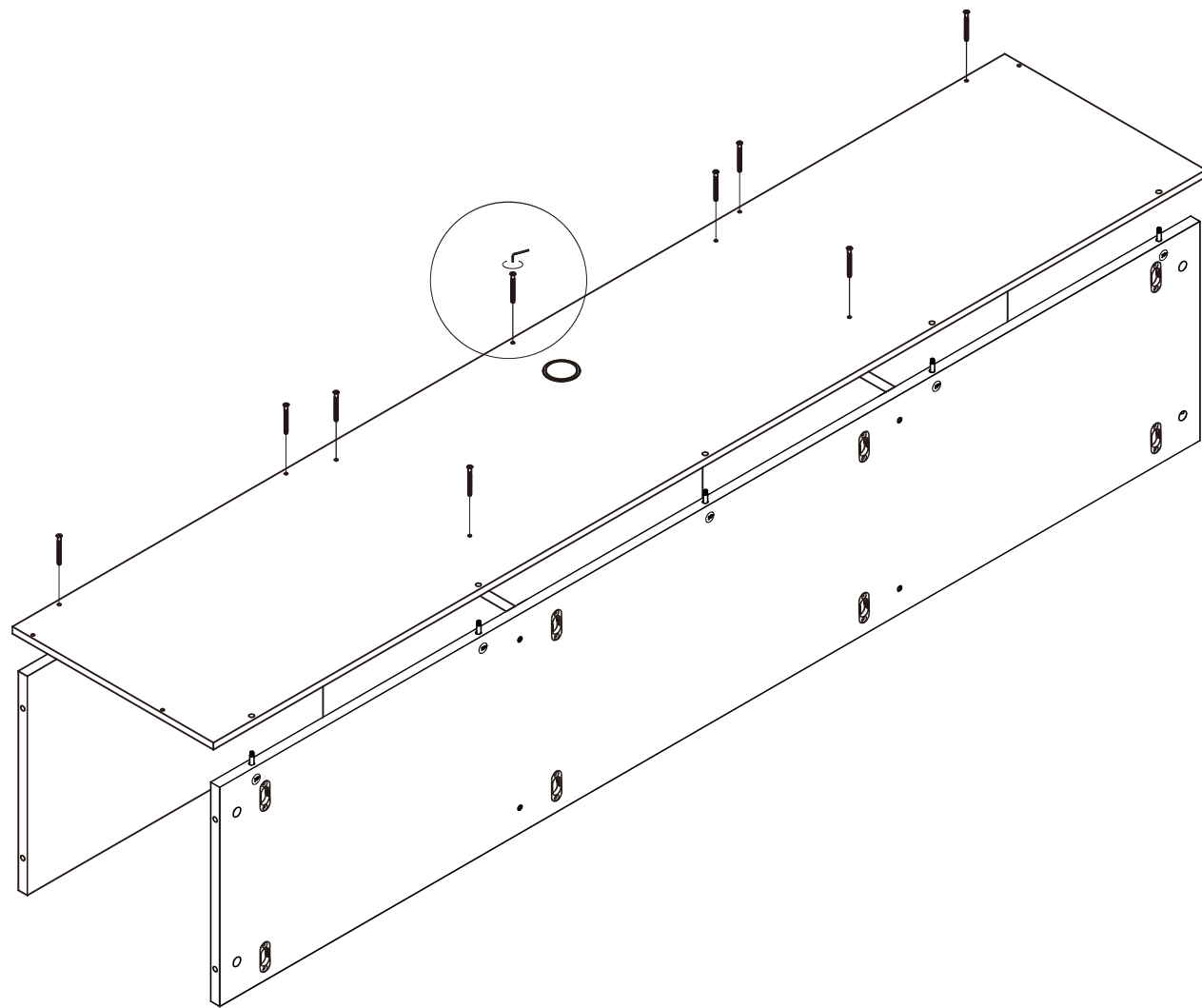
 B
 $M 5 * 50 = 8$

 C
 $3 \text{mm} = 1$



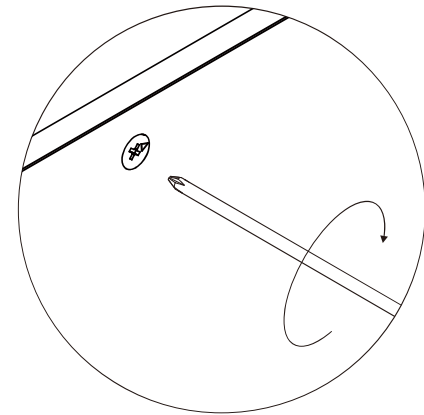
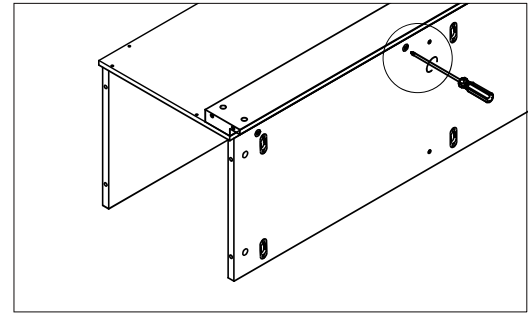
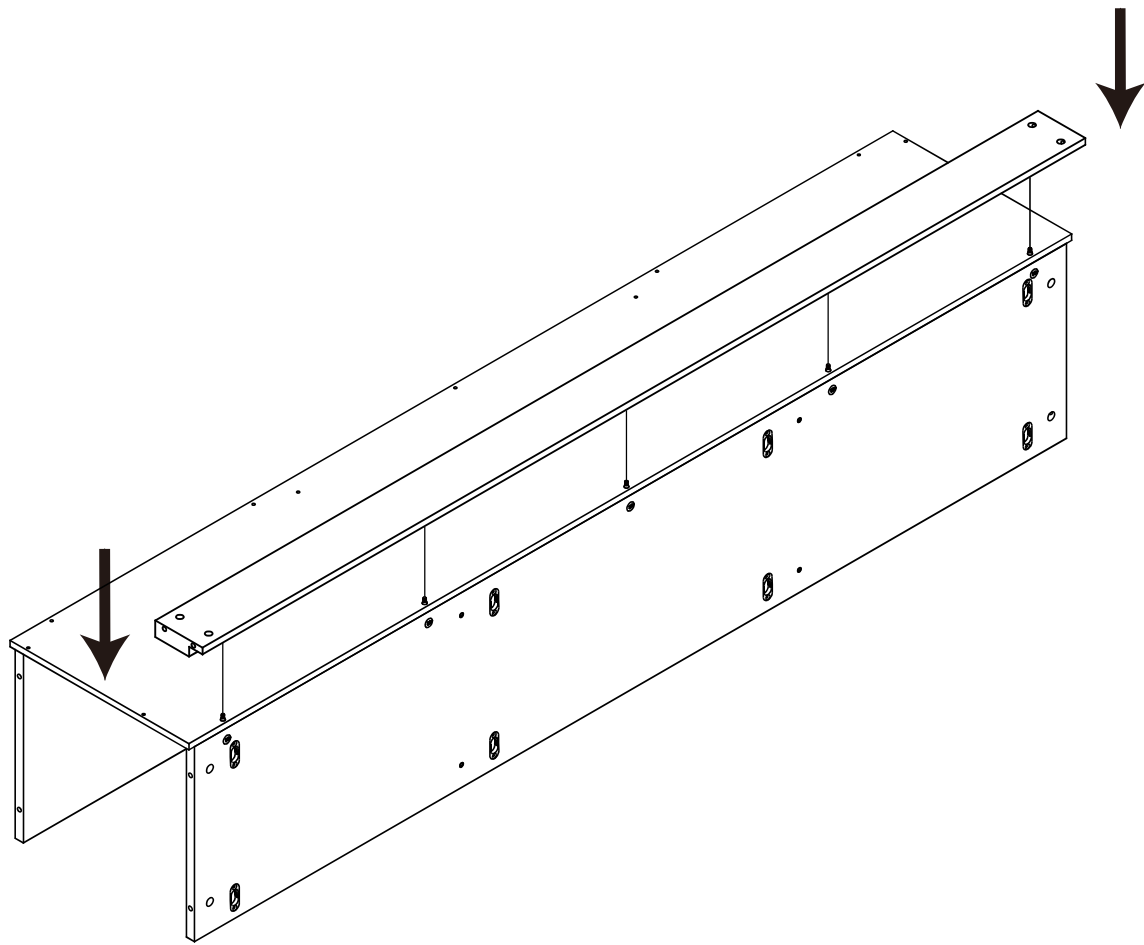
D1
15mm=5

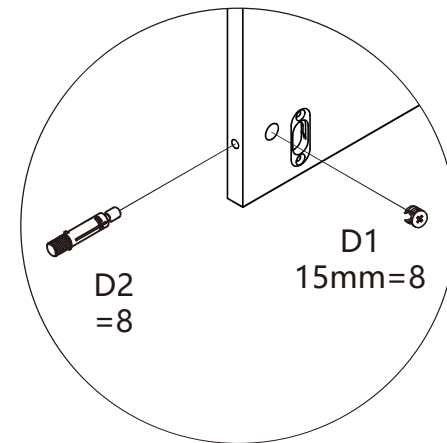
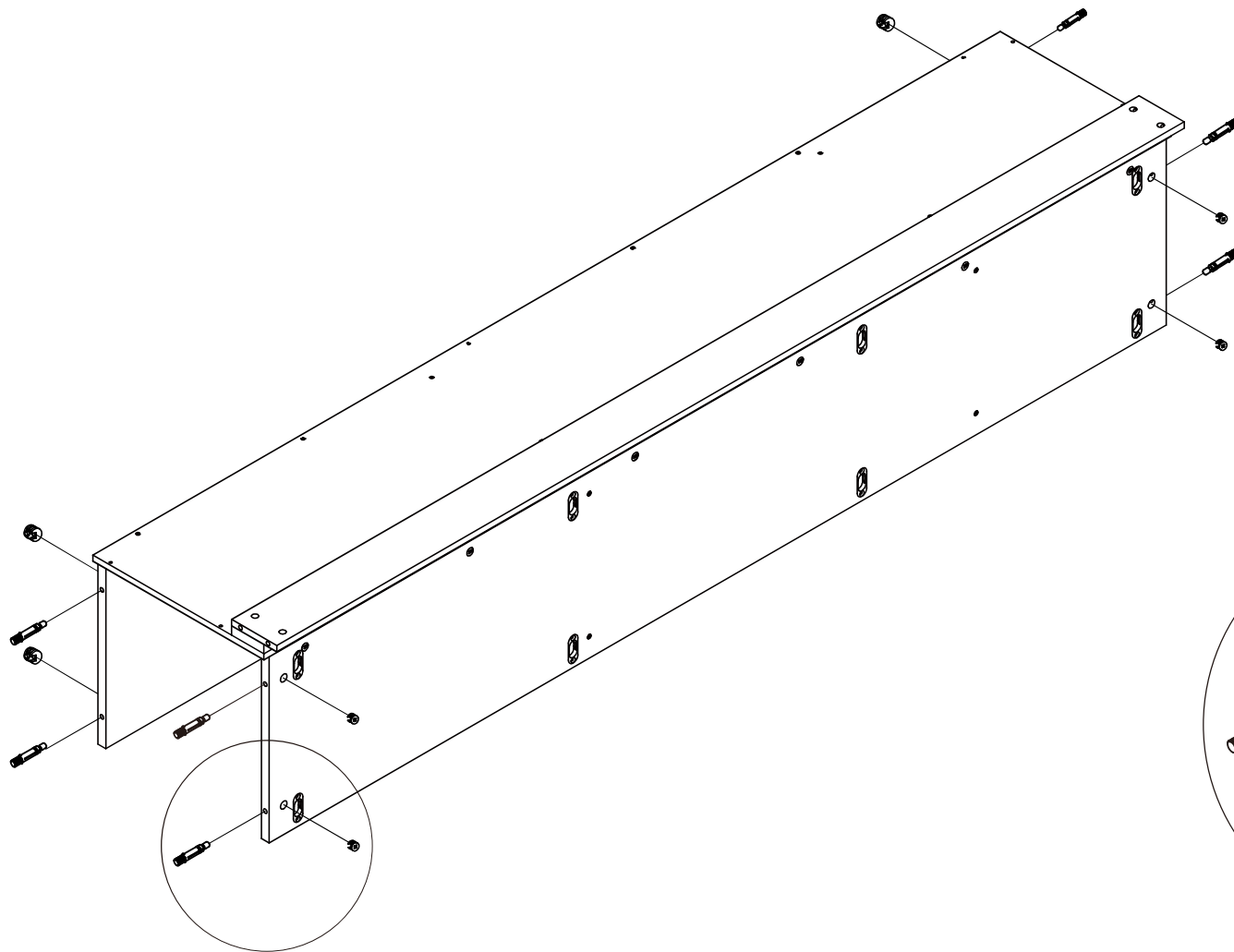
D2
=5



 B
M5*50=9

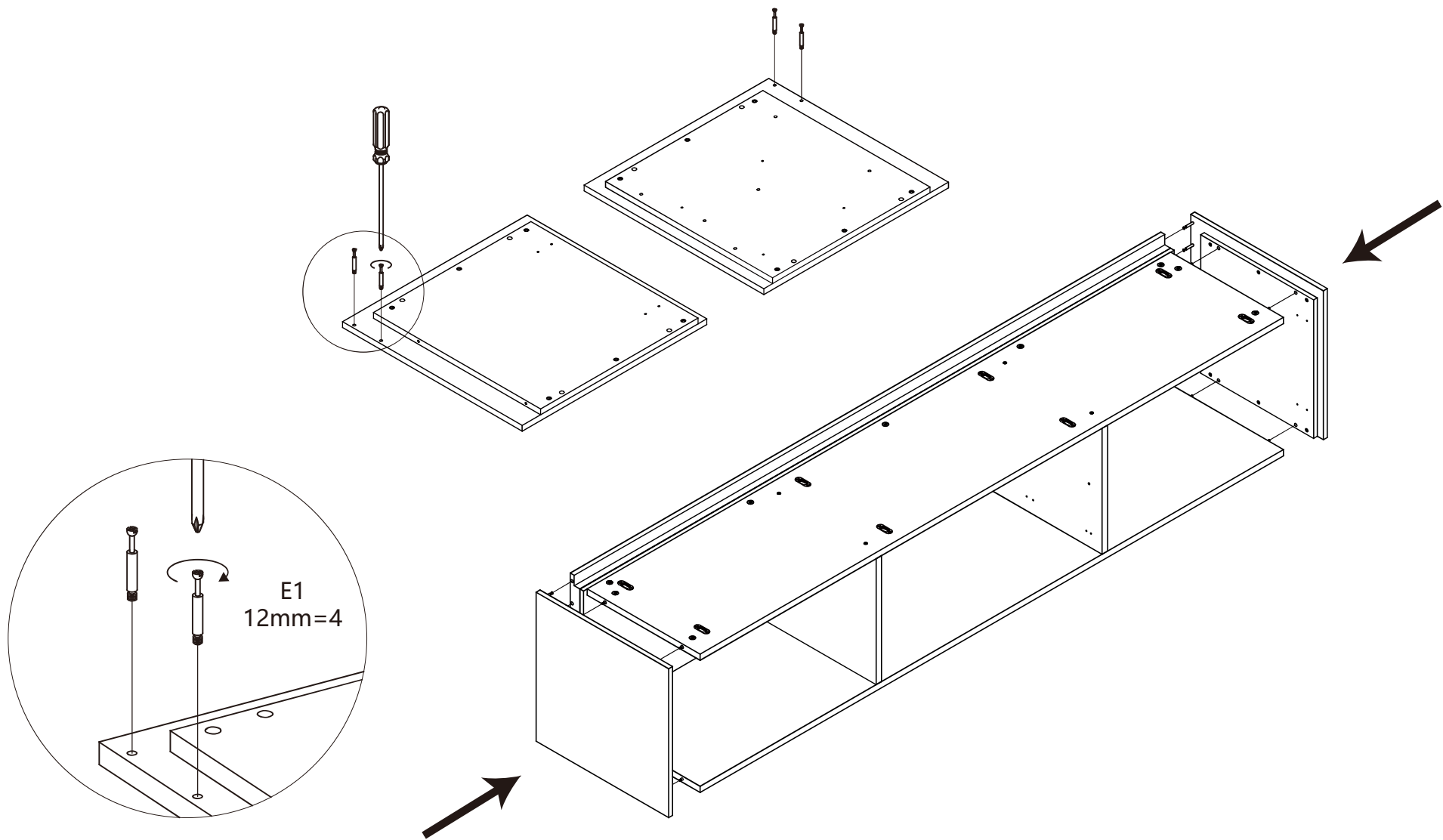
 R=1



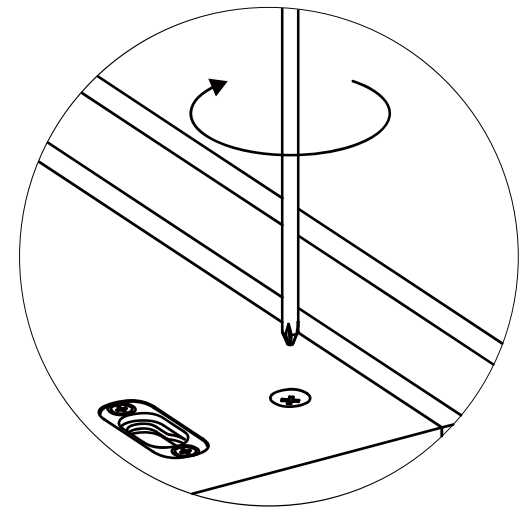
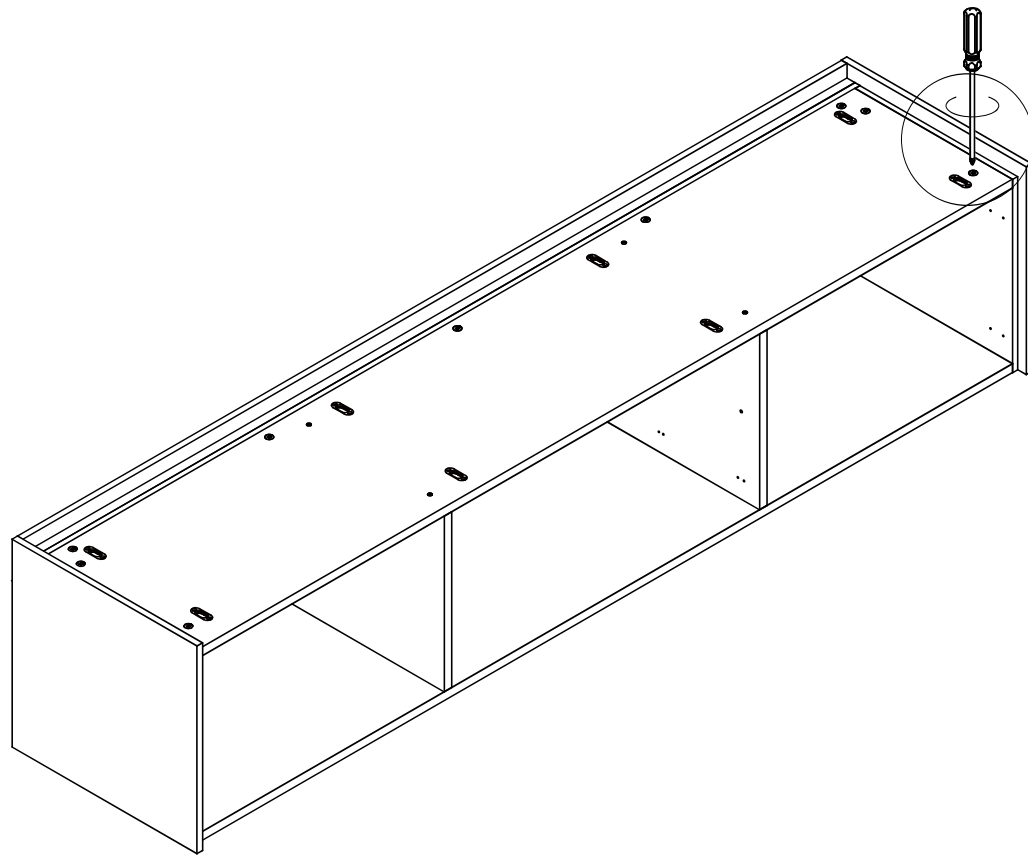


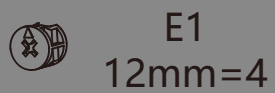
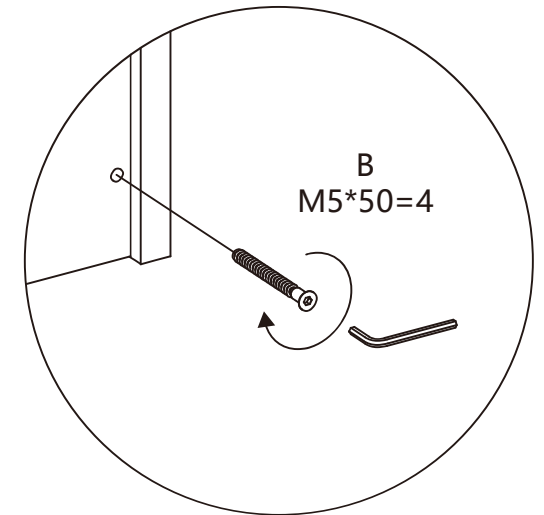
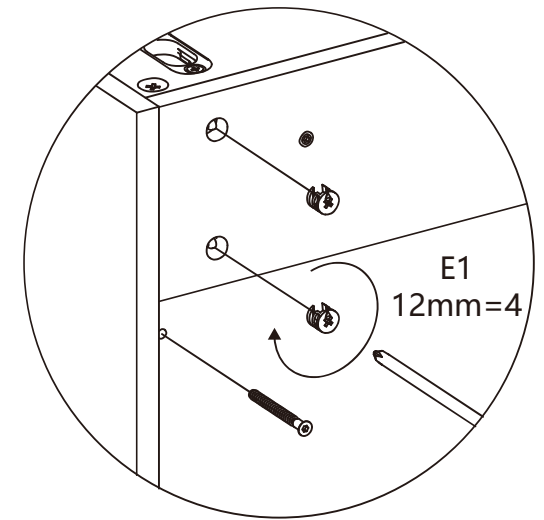
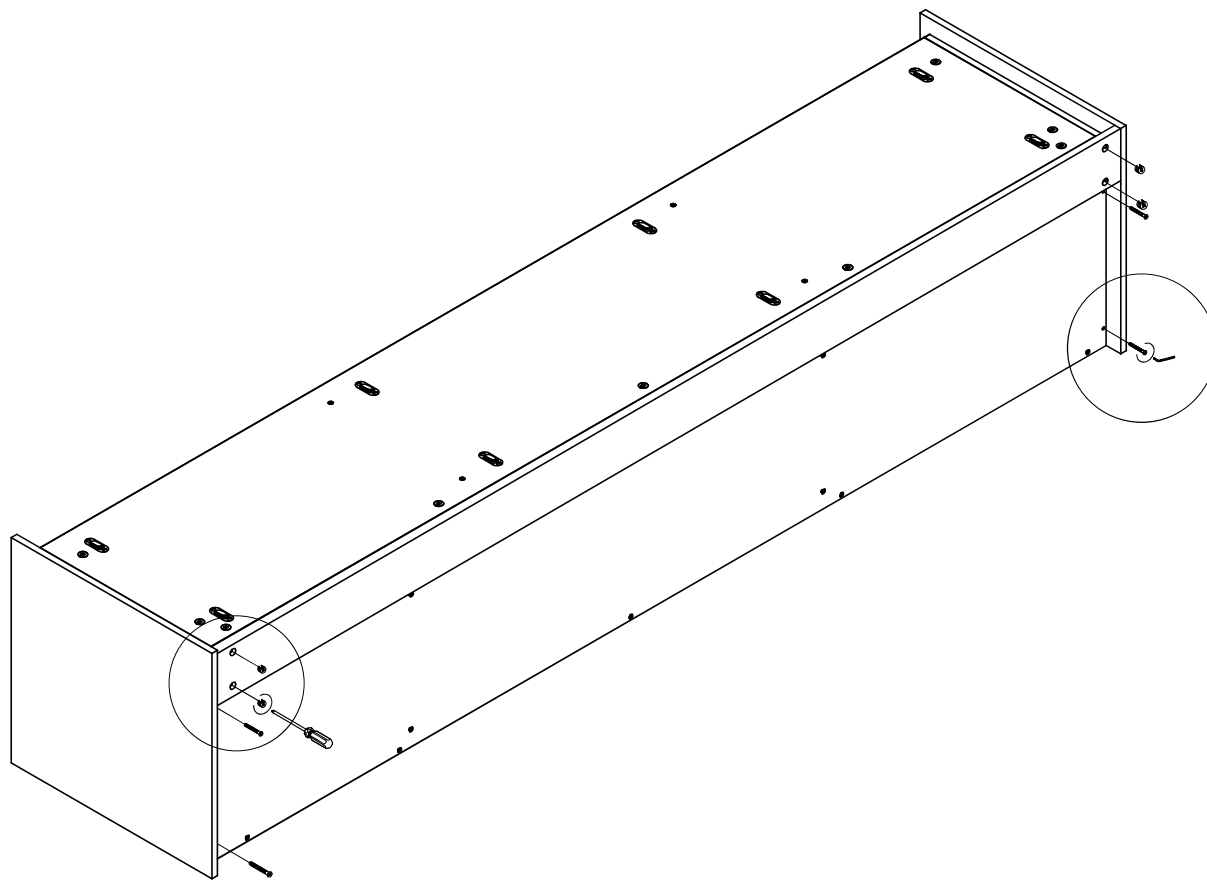
D1
15mm=8

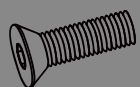
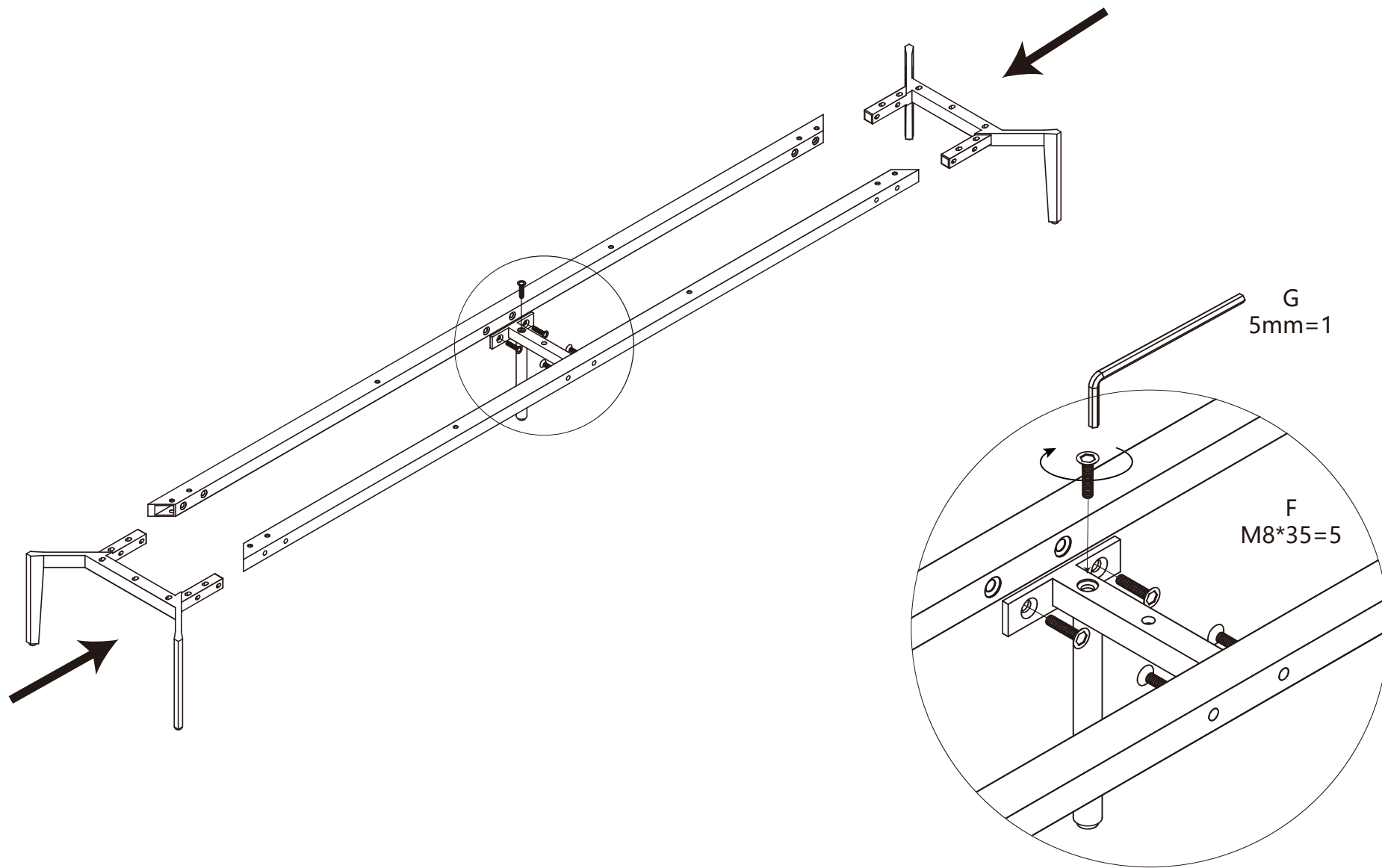
D2
=8



E2=4



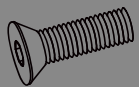
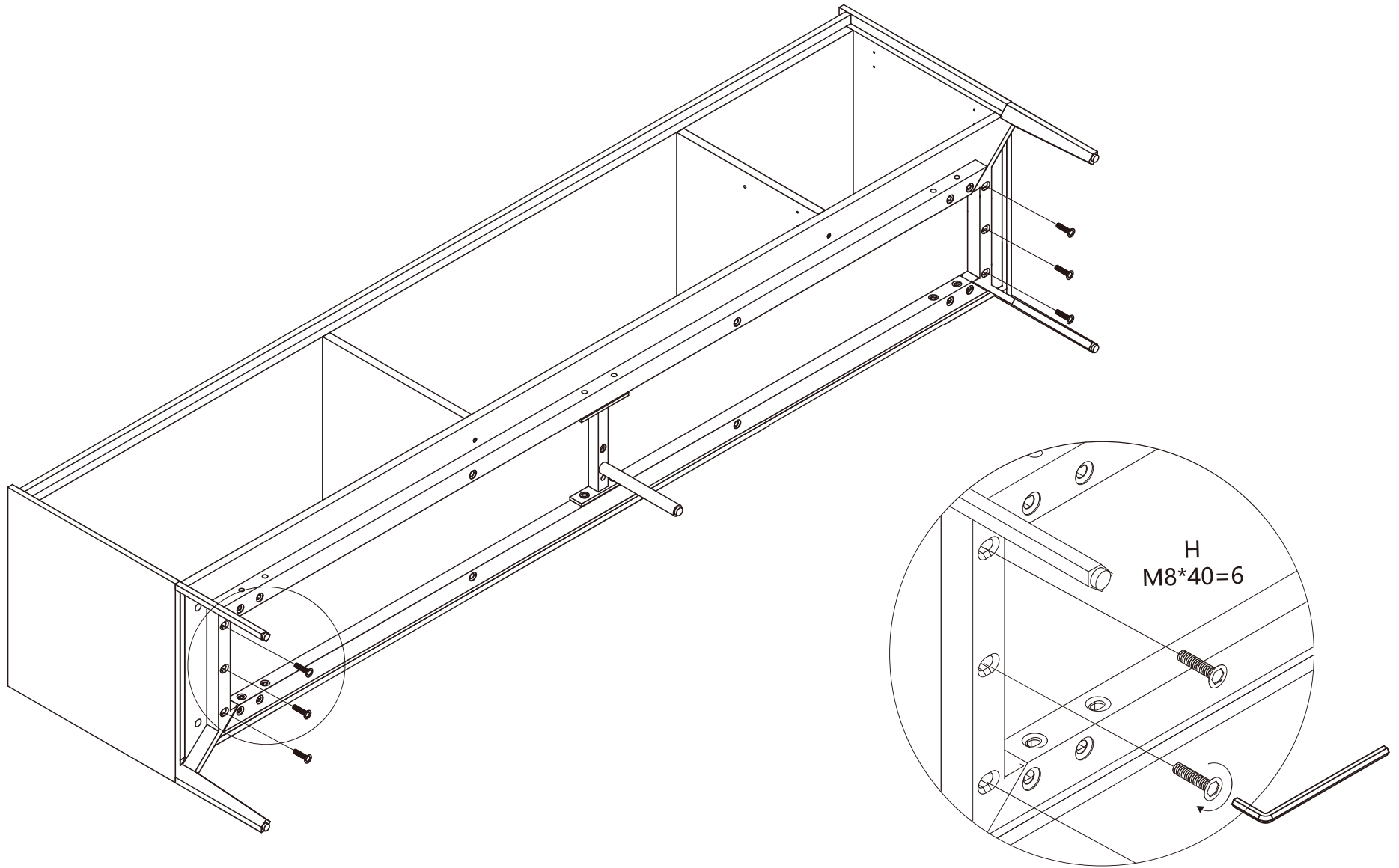




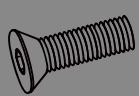
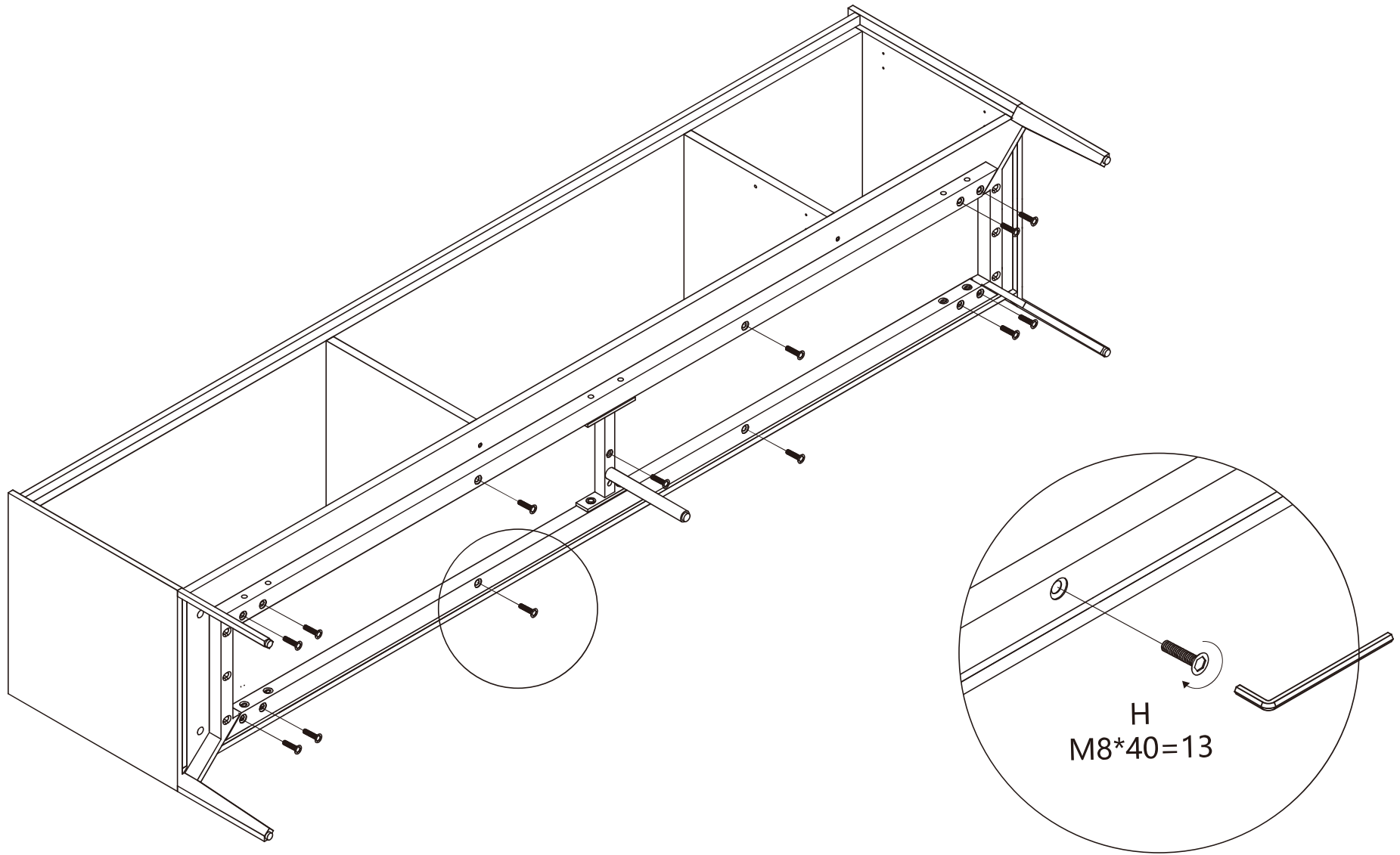
F
M8*35=5



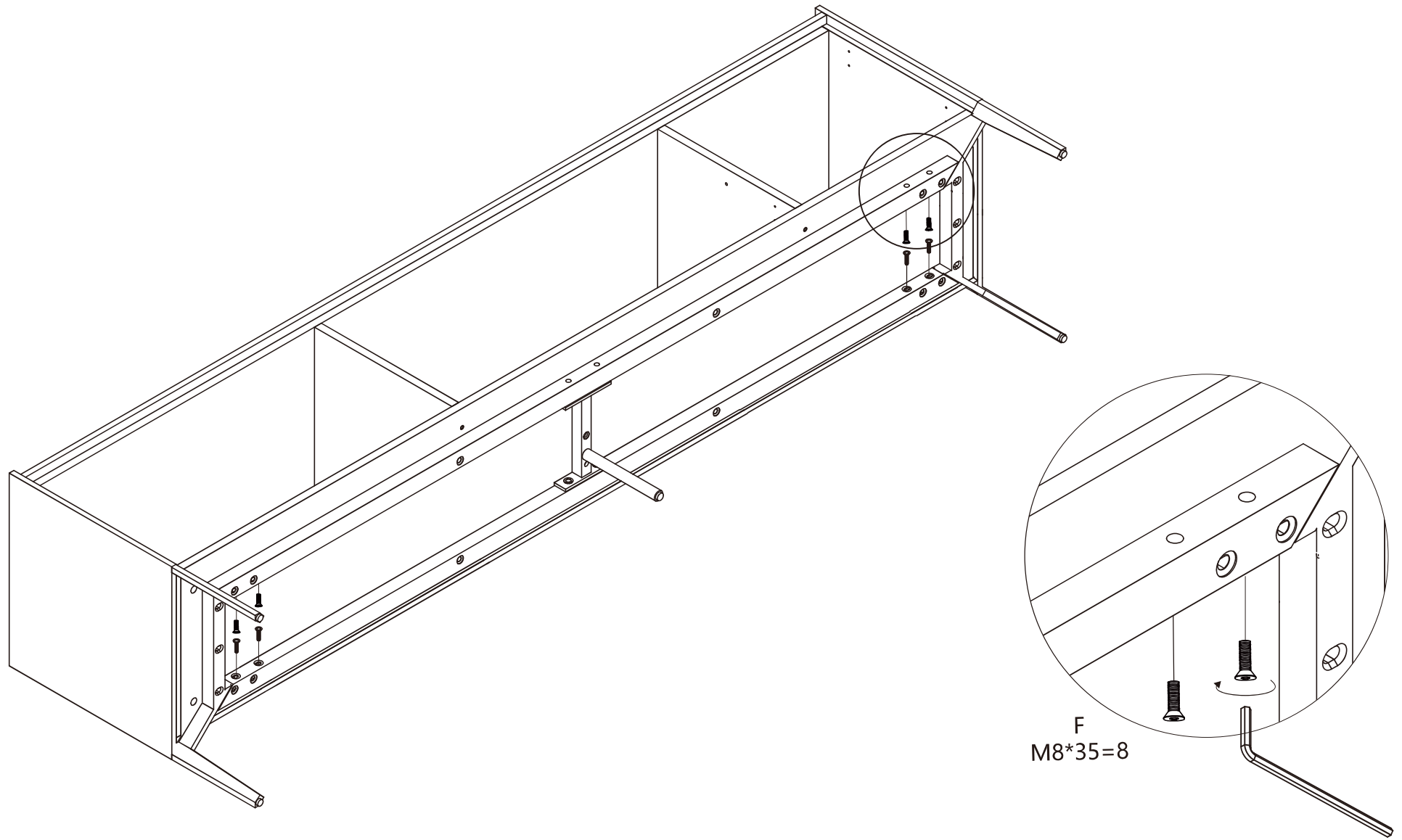
G
5mm=1



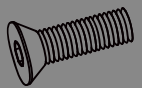
H
M8*40=6



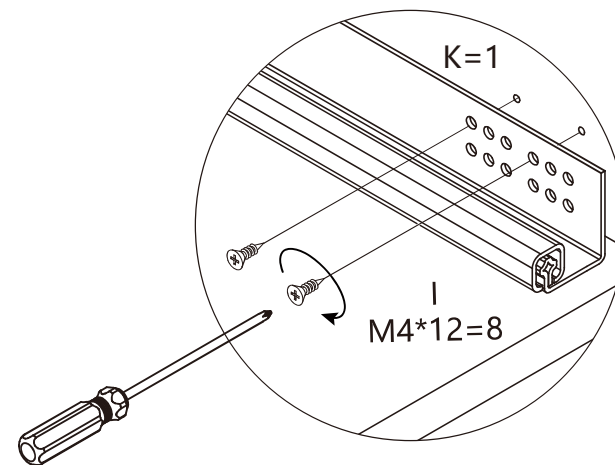
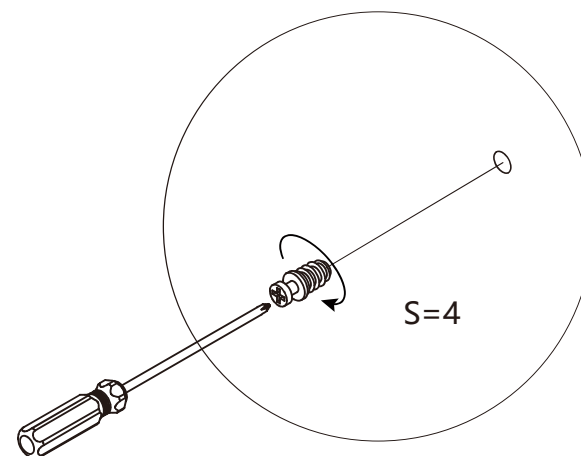
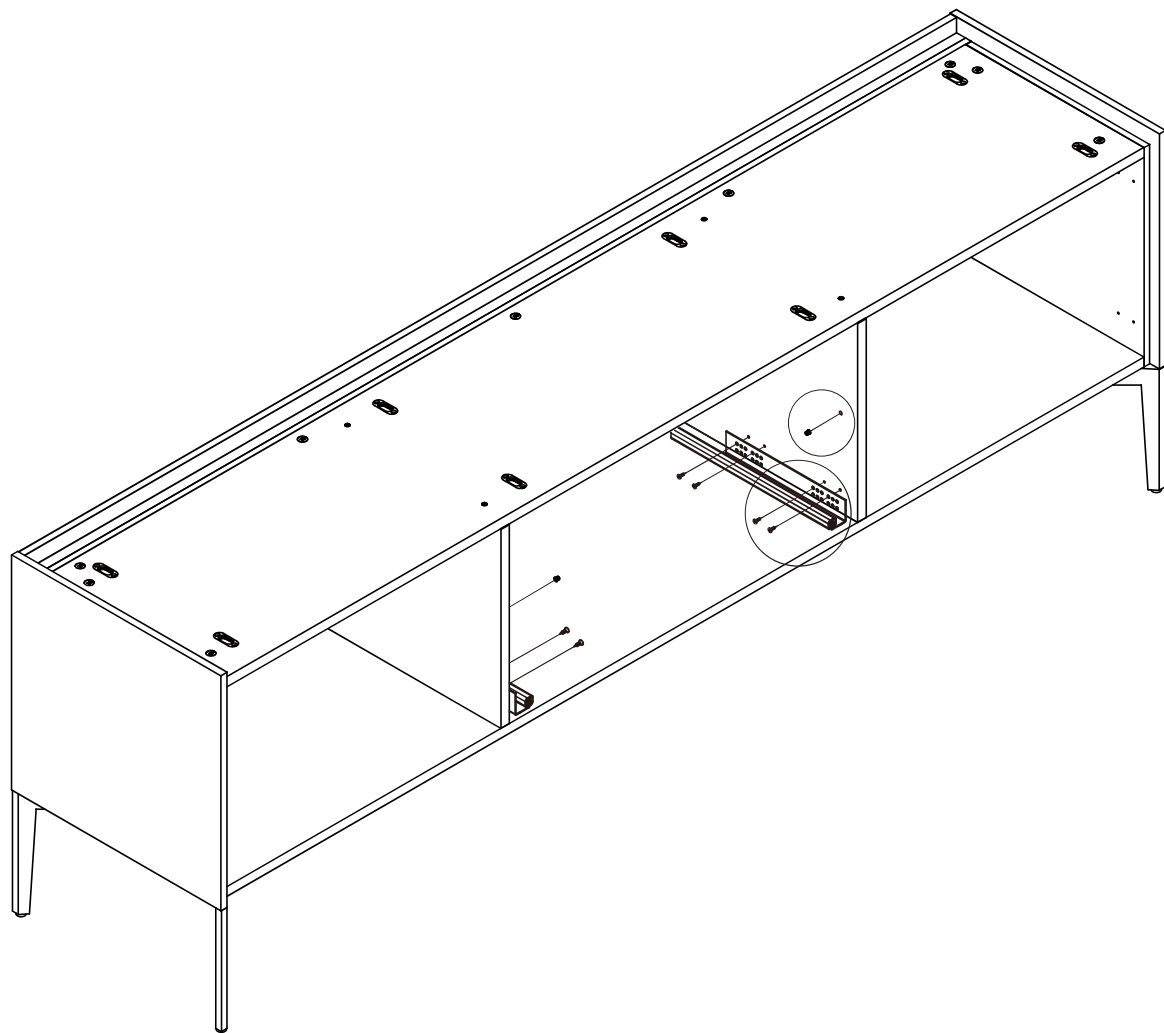
H
M8*40=13



F
M8*35=8



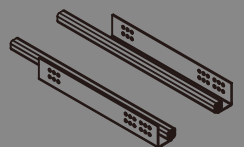
F
M8*35=8



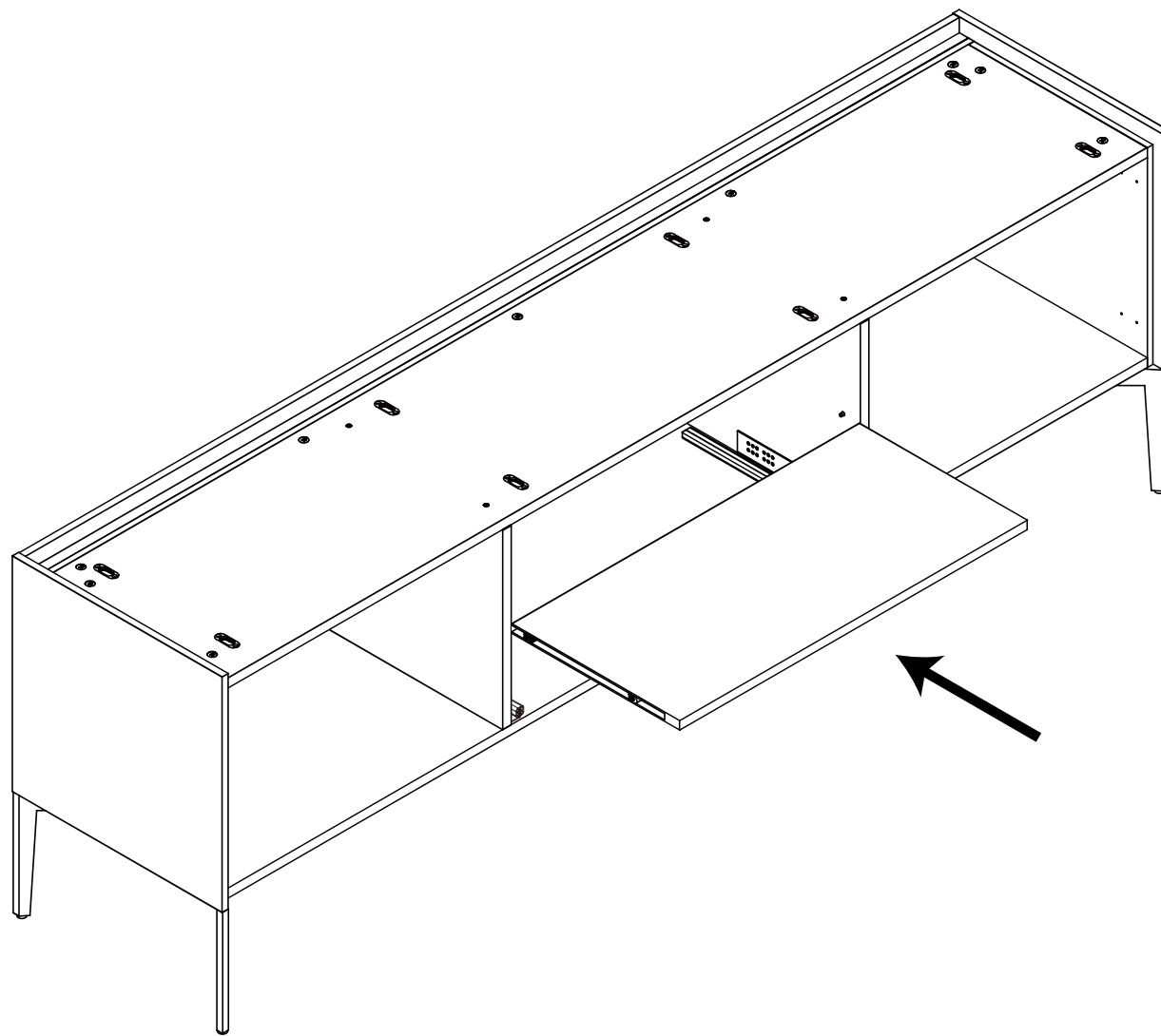
S=4

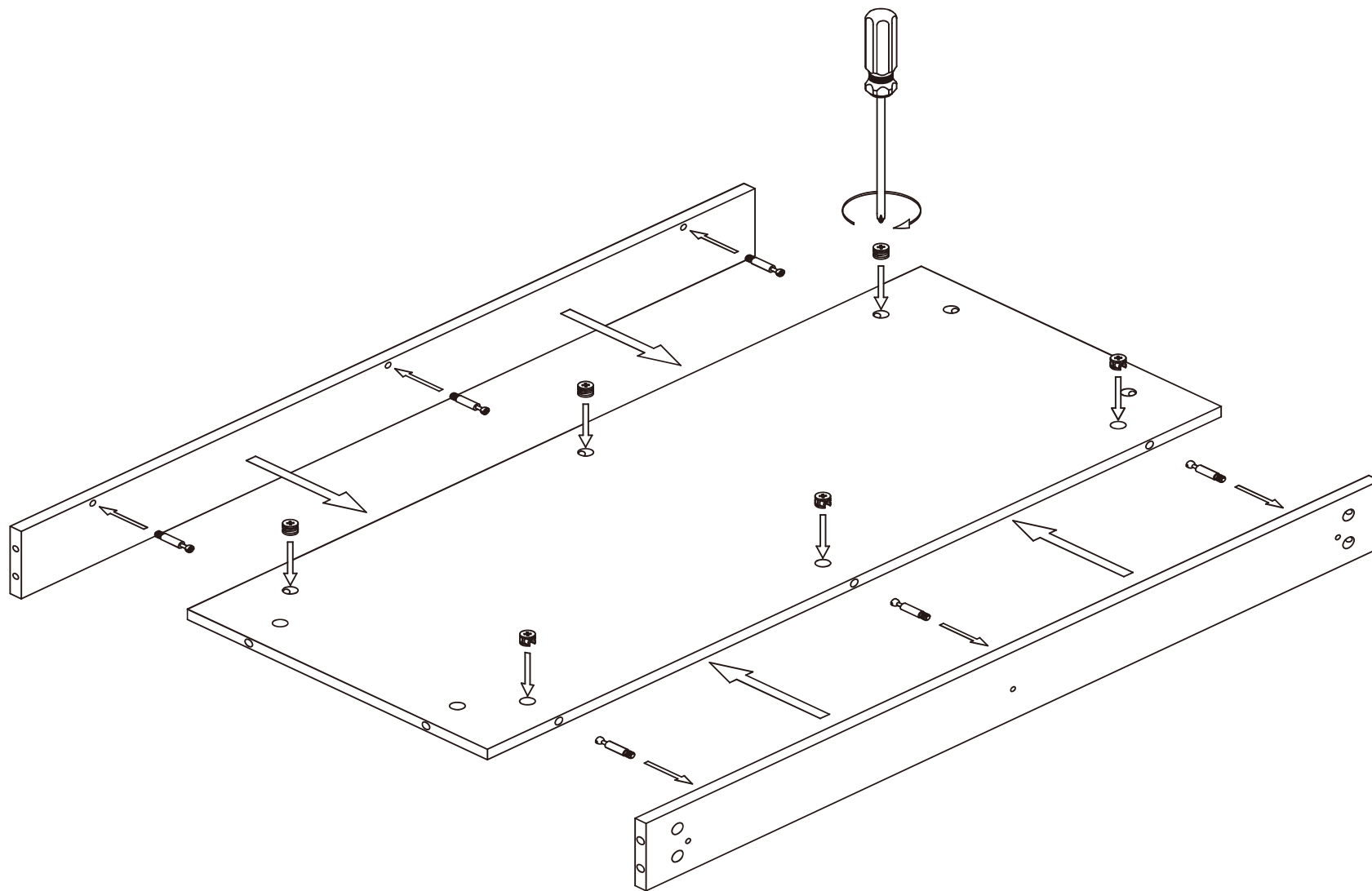


I
M4*12=8



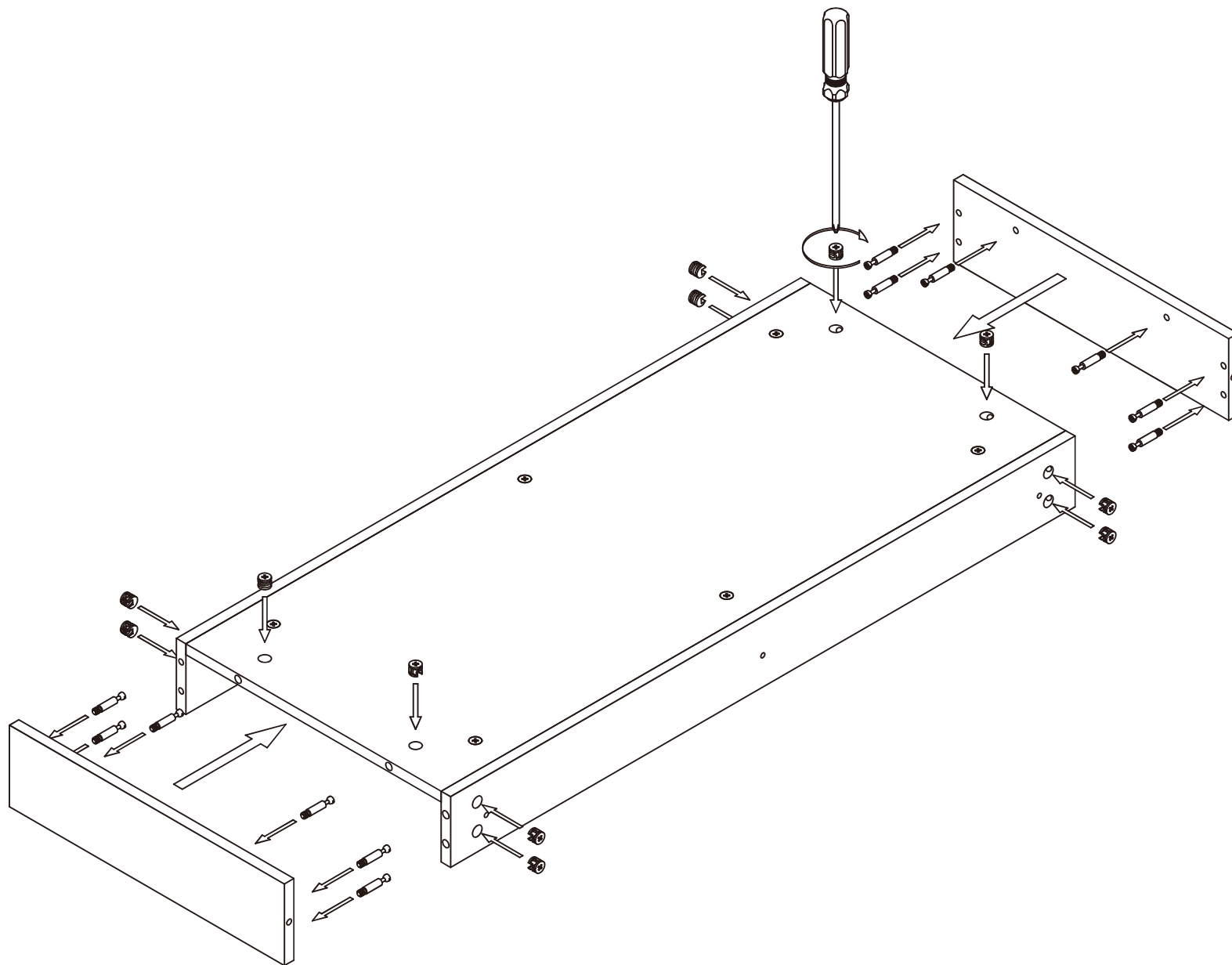
K
=1



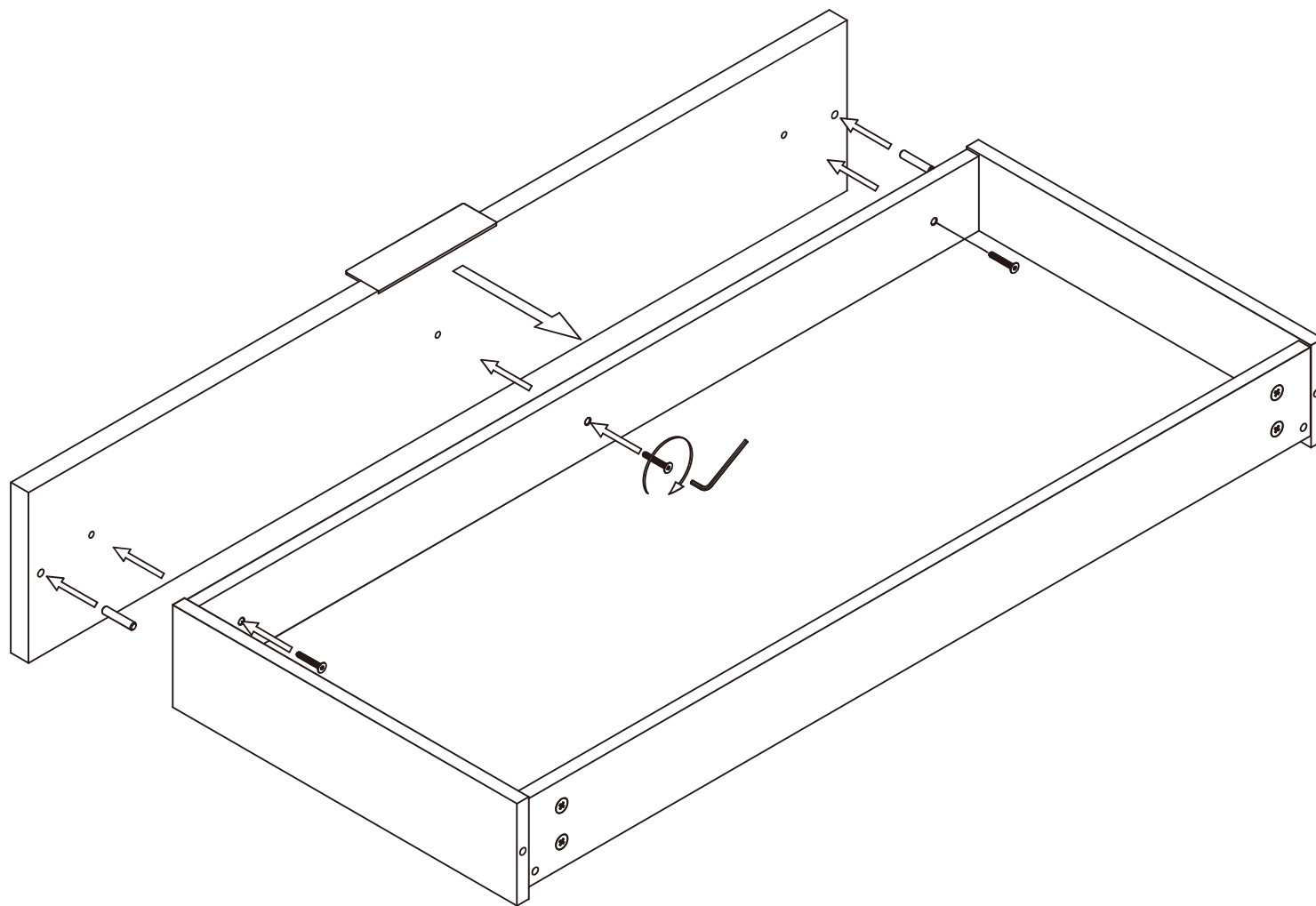



E1
12mm=6

E2
=6



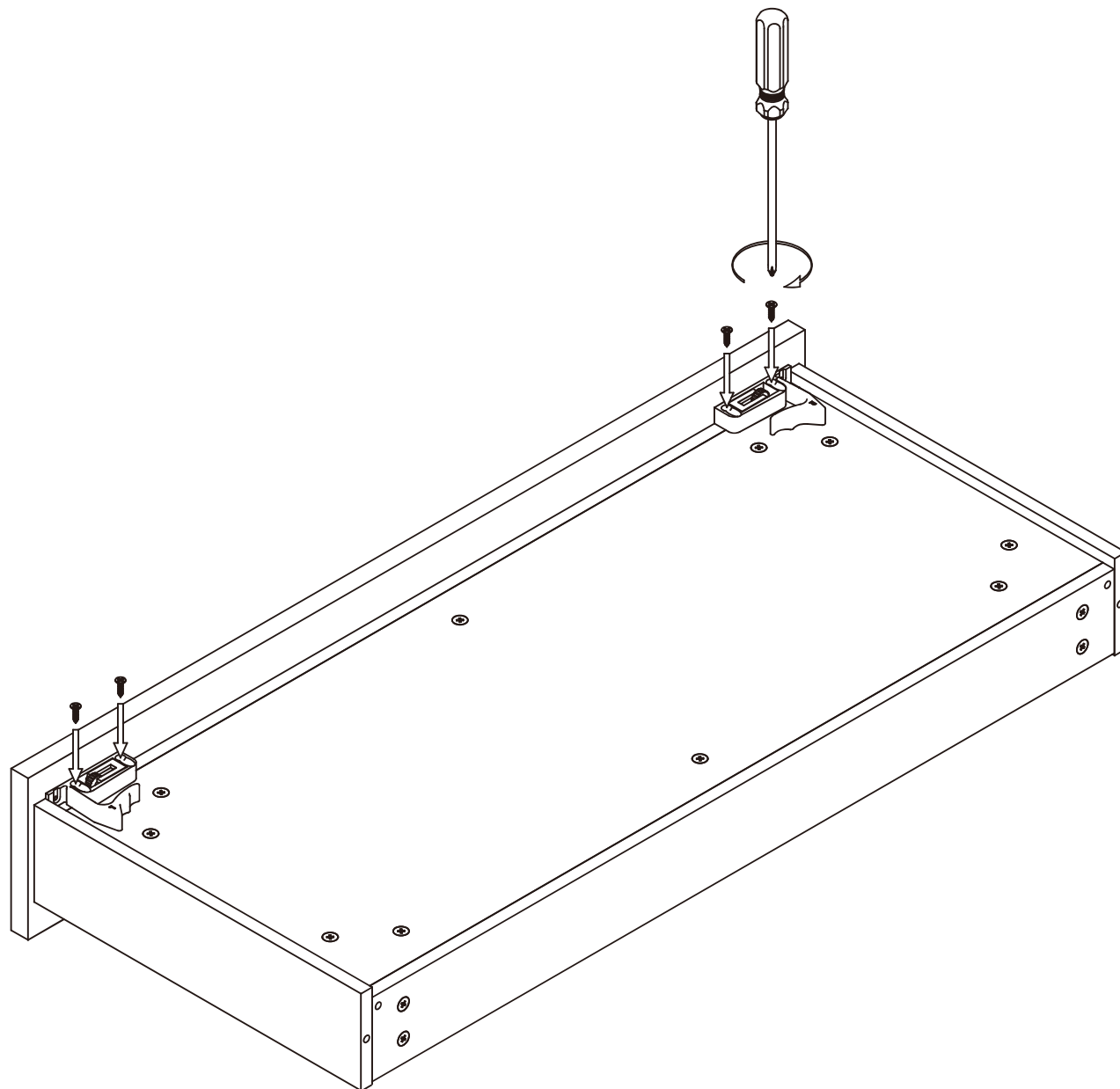
E1
12mm=12
E2
=12



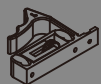
 L
 $\Phi 6 \times 30 = 2$

 M
M4*25=3

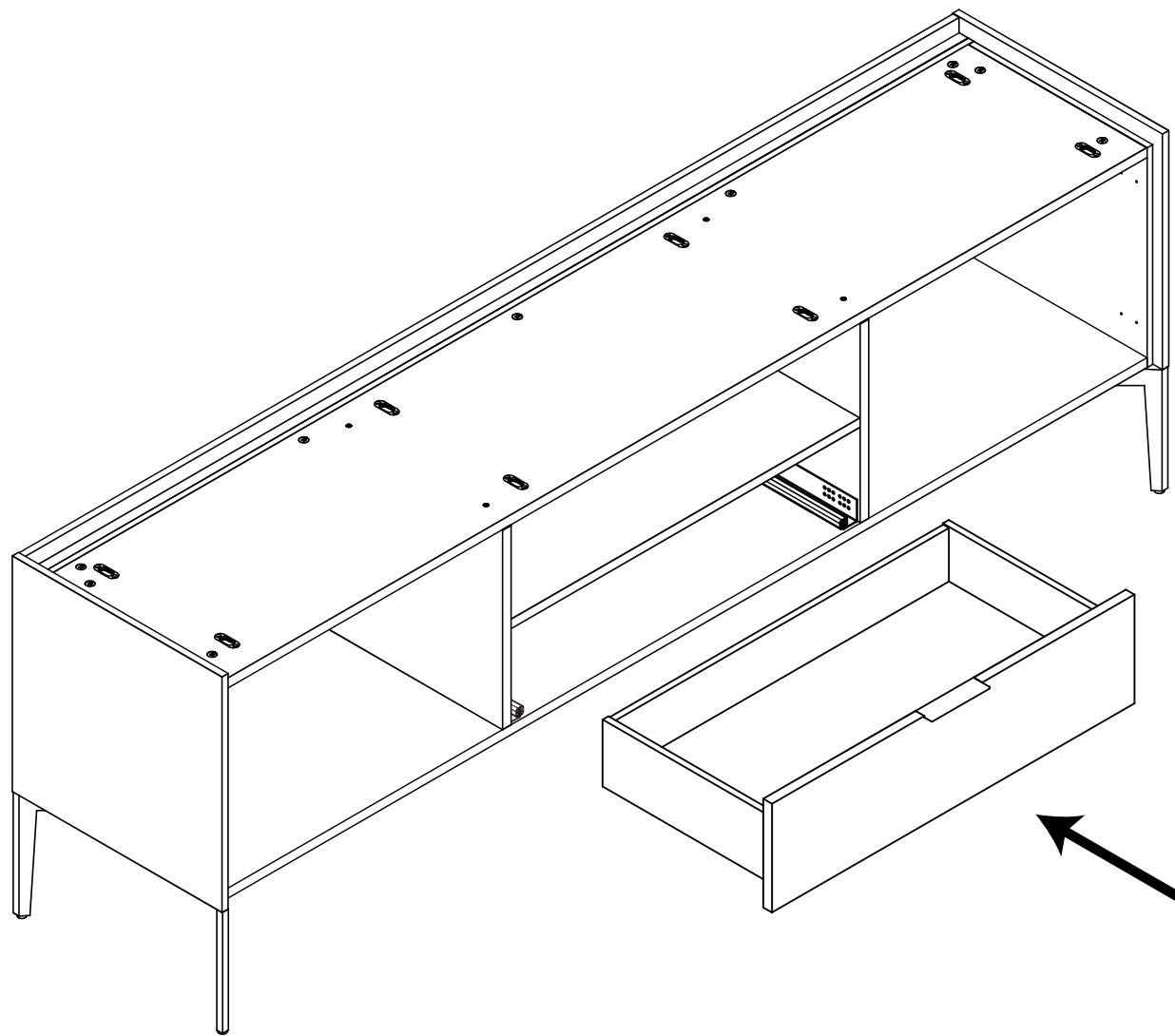
 N
2.5mm=1

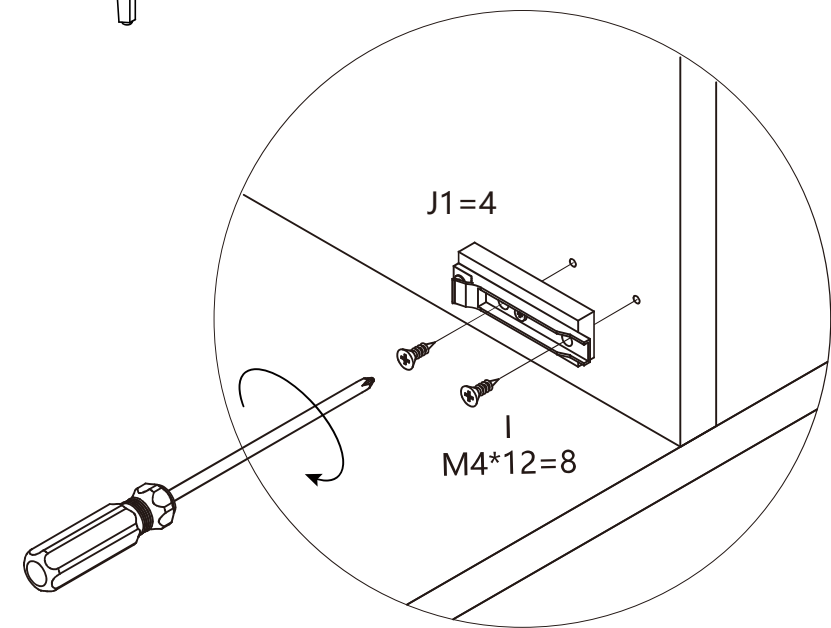
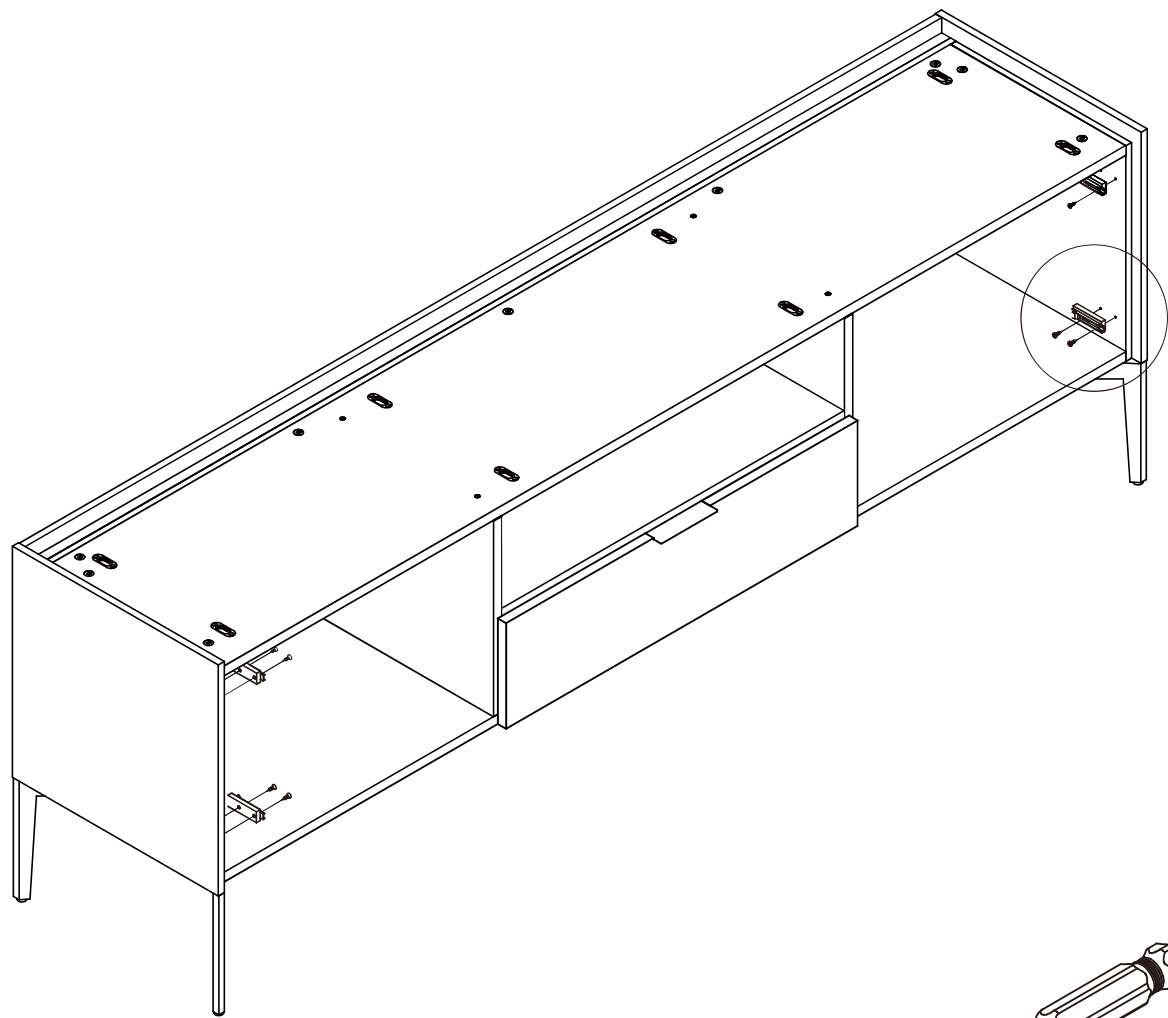



Q
M4*16=4



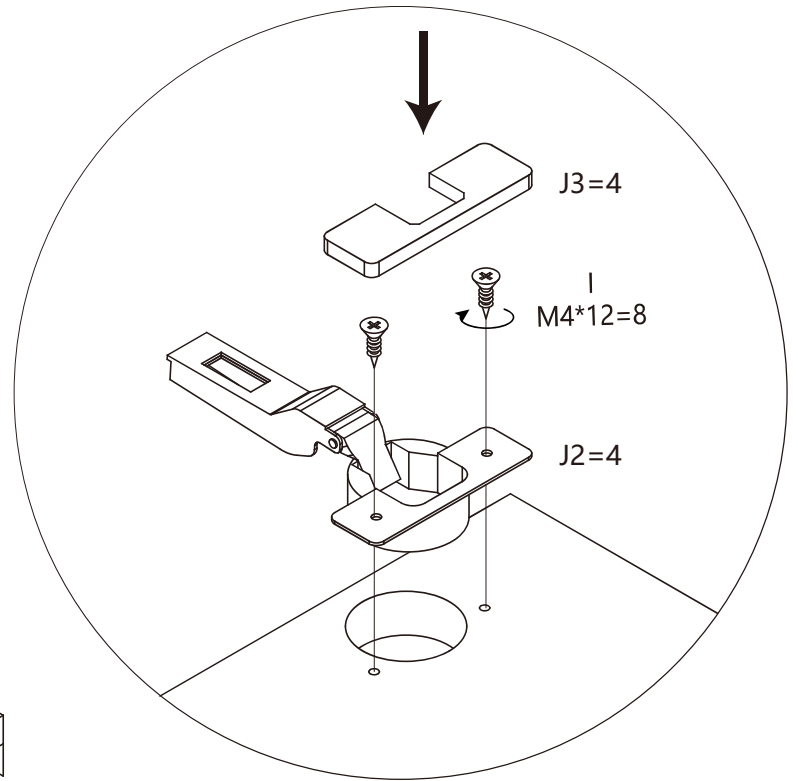
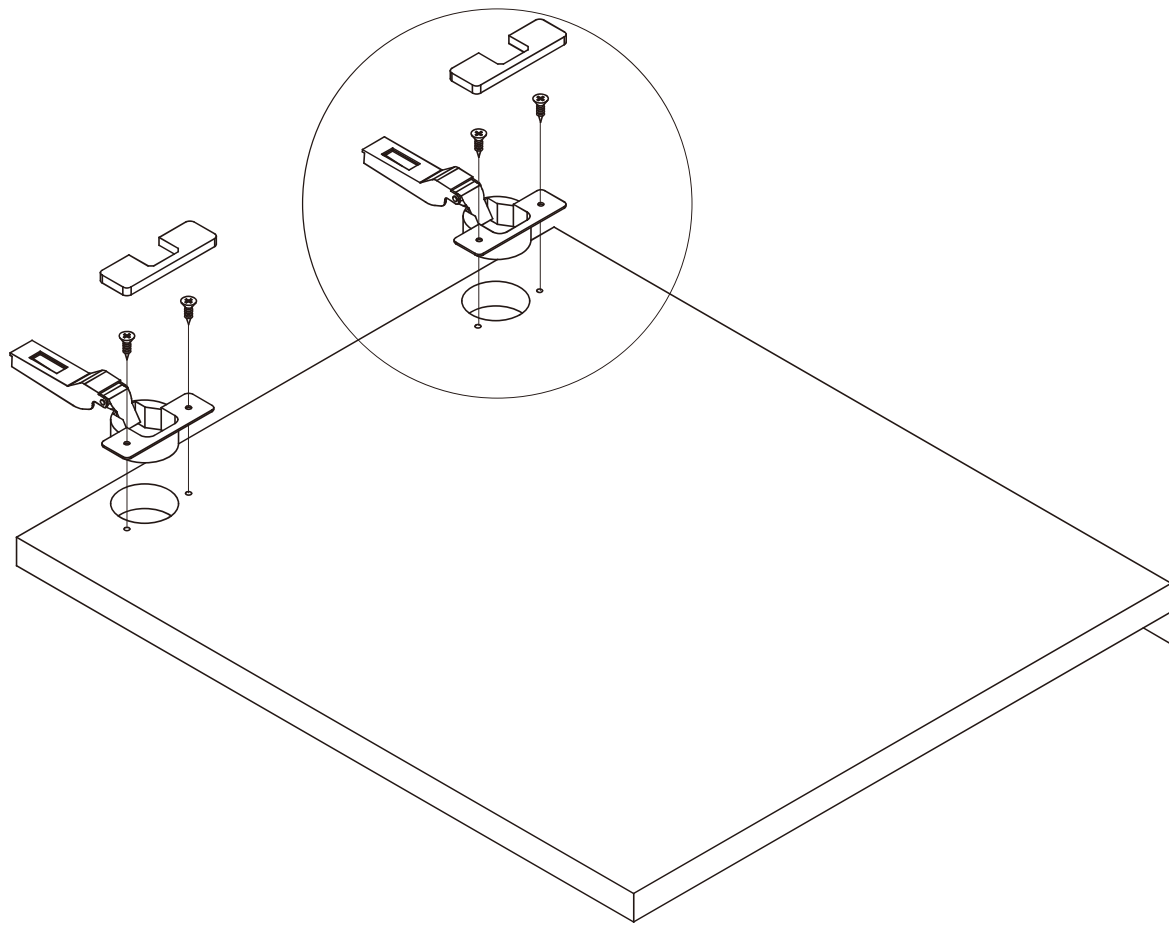
O
M4*25=1



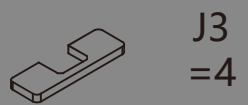
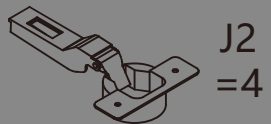


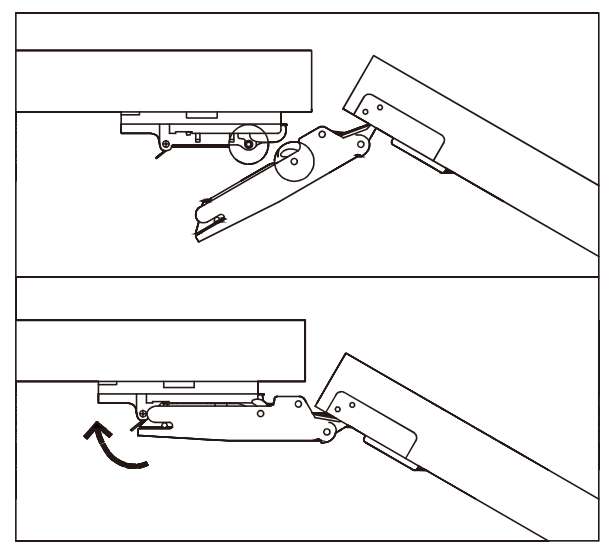
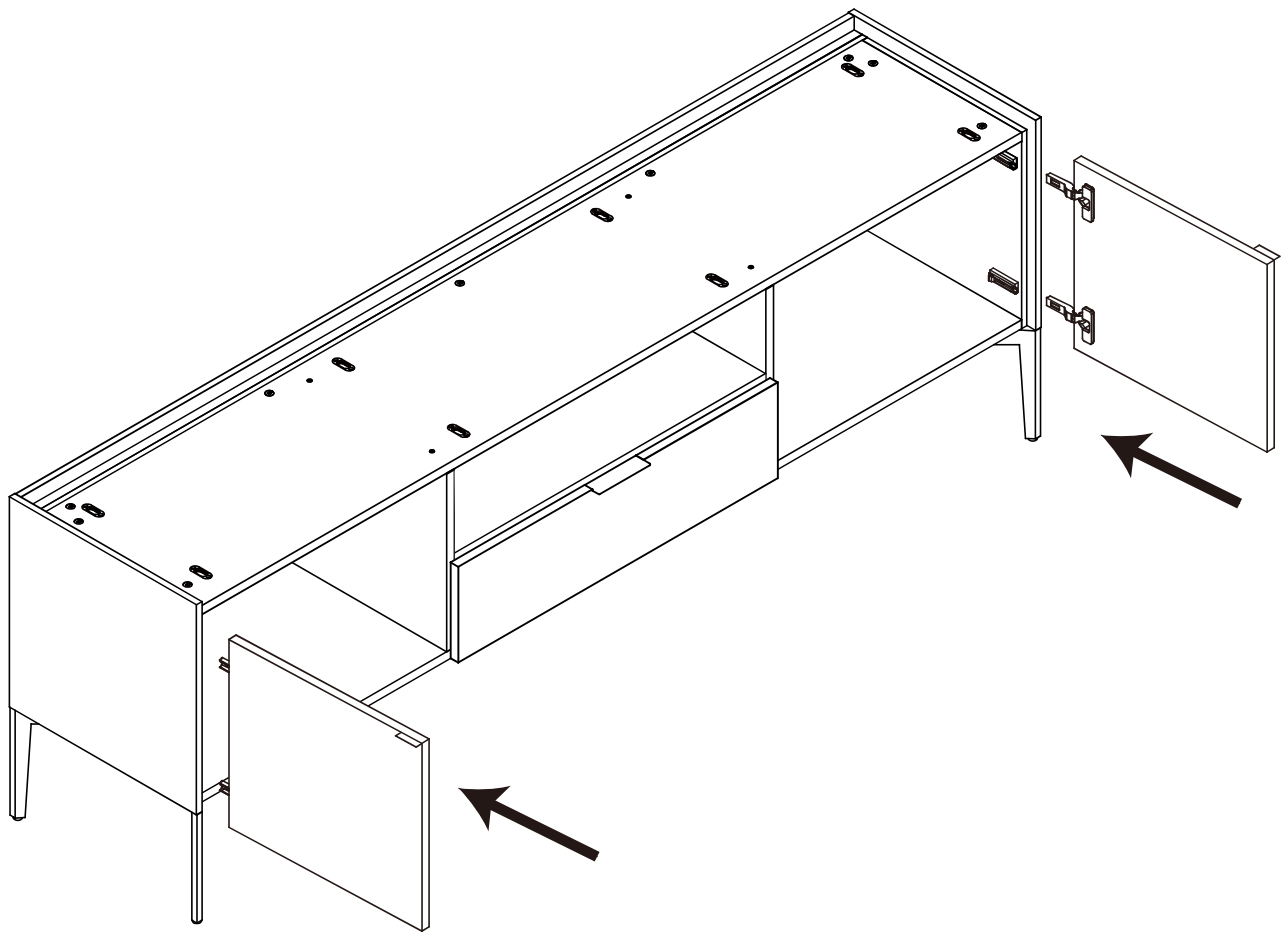
 M4*12=8

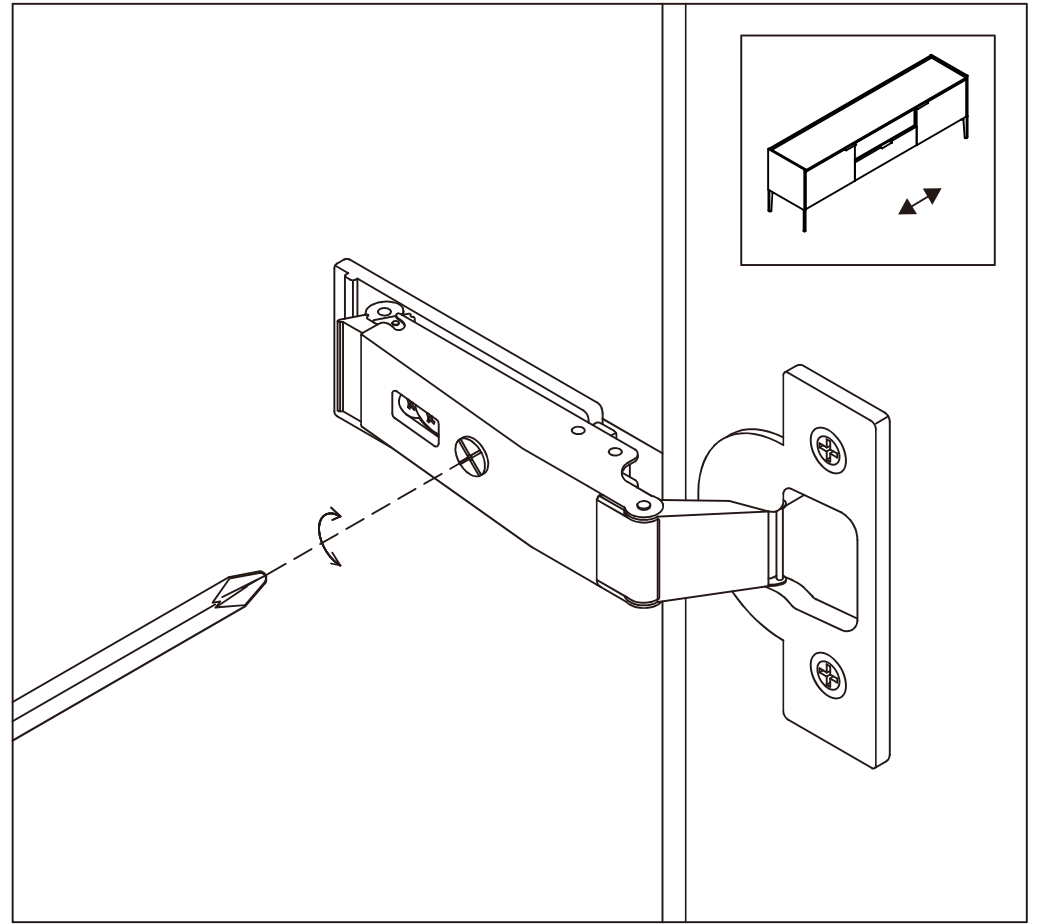
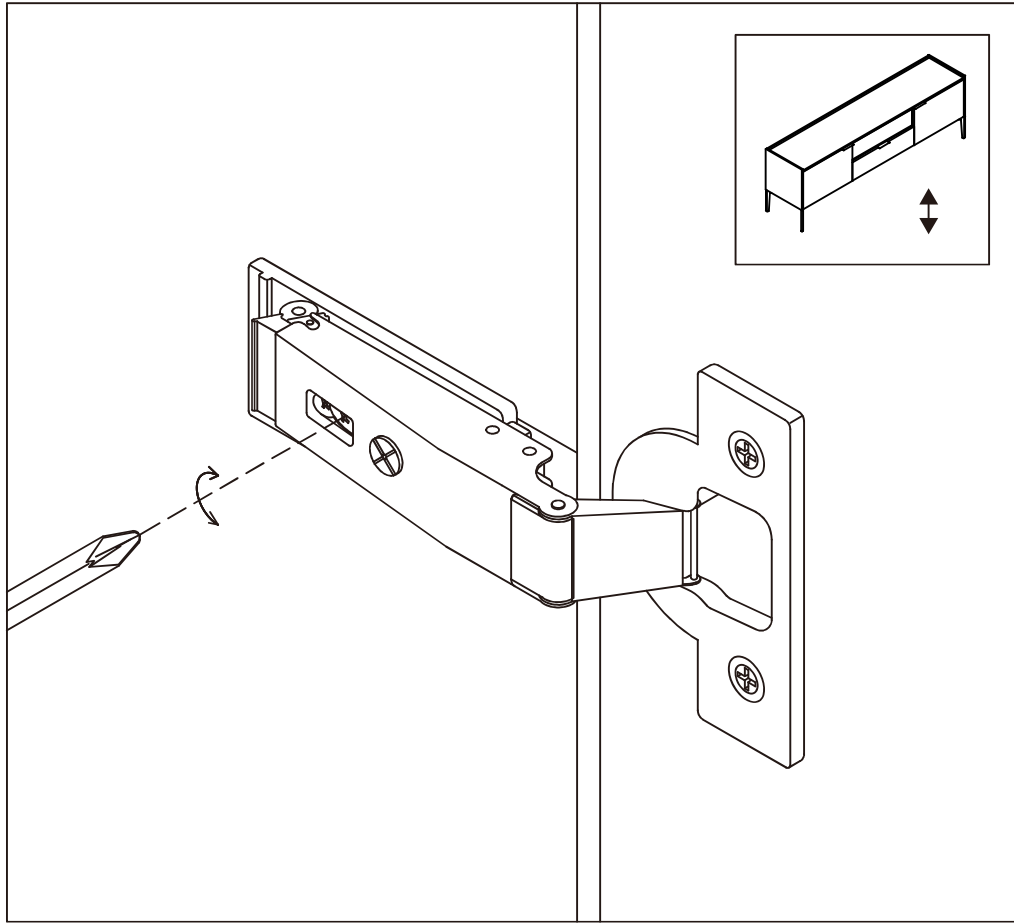
 J1
=4

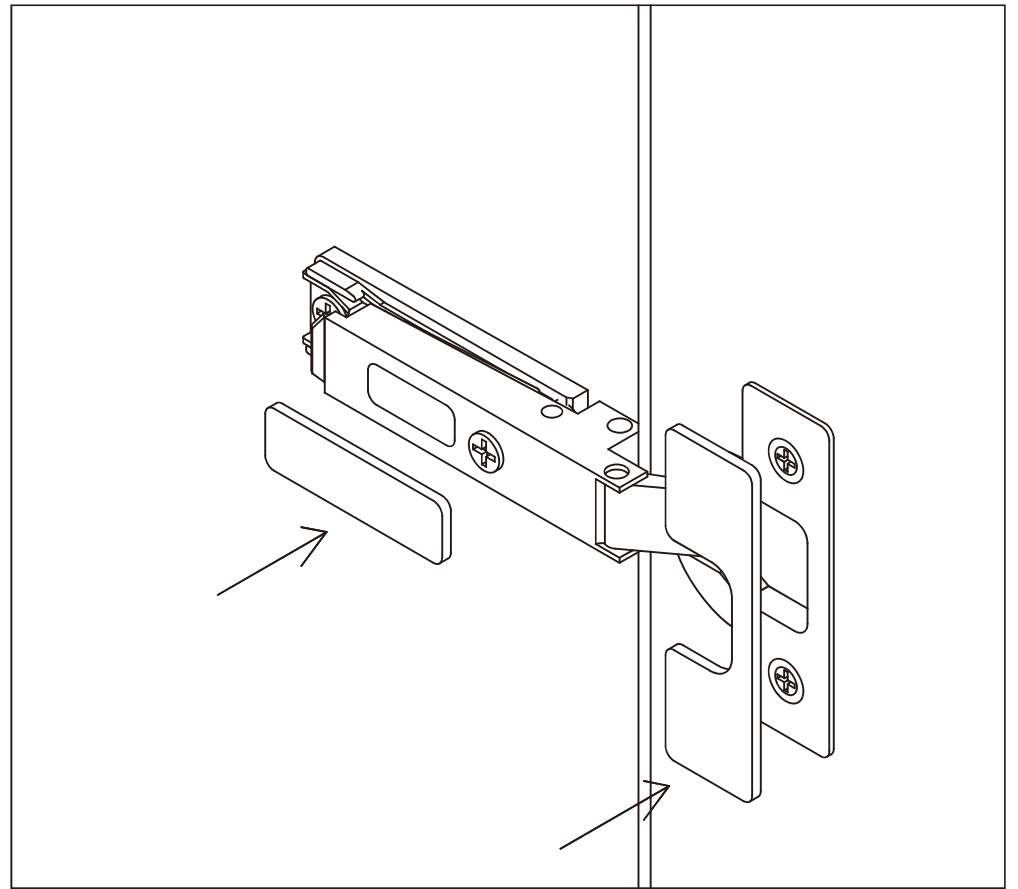
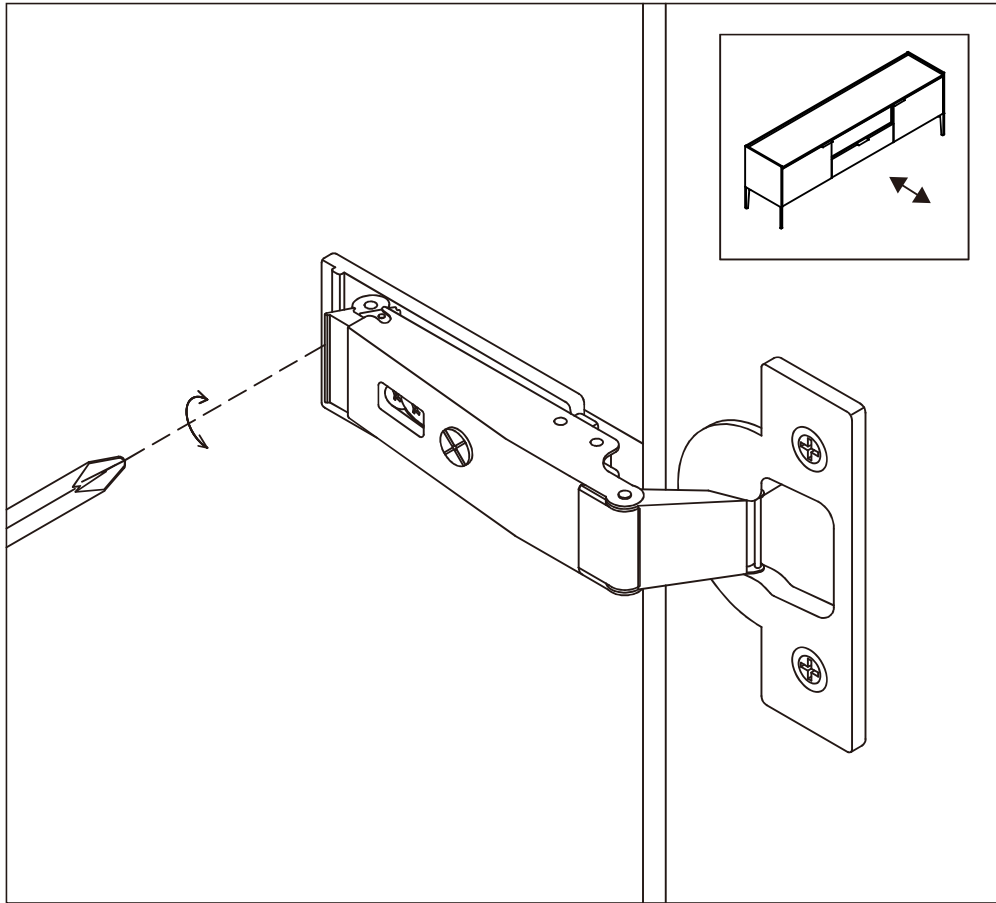


I
M4*12=8









K4
=4

