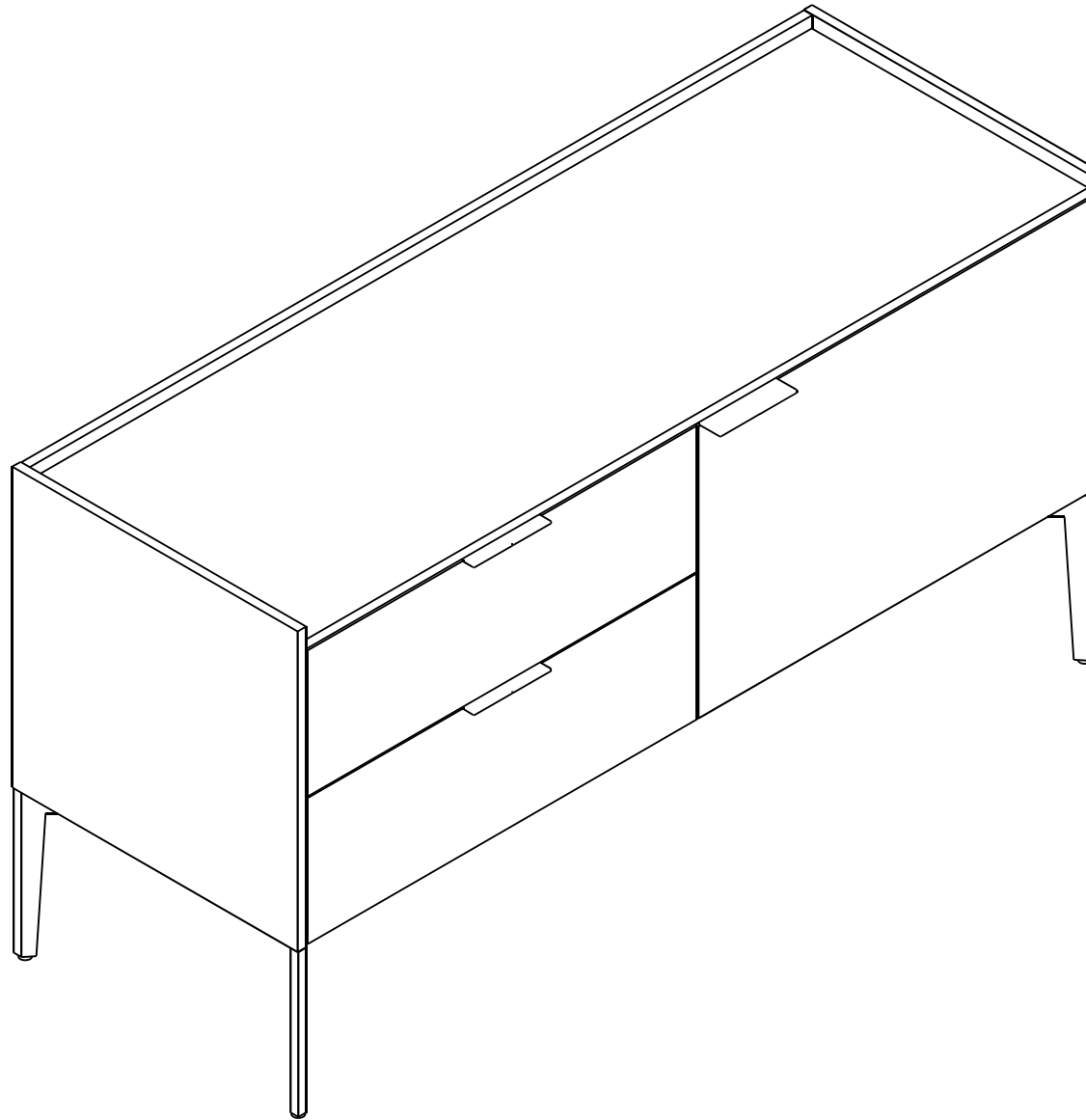


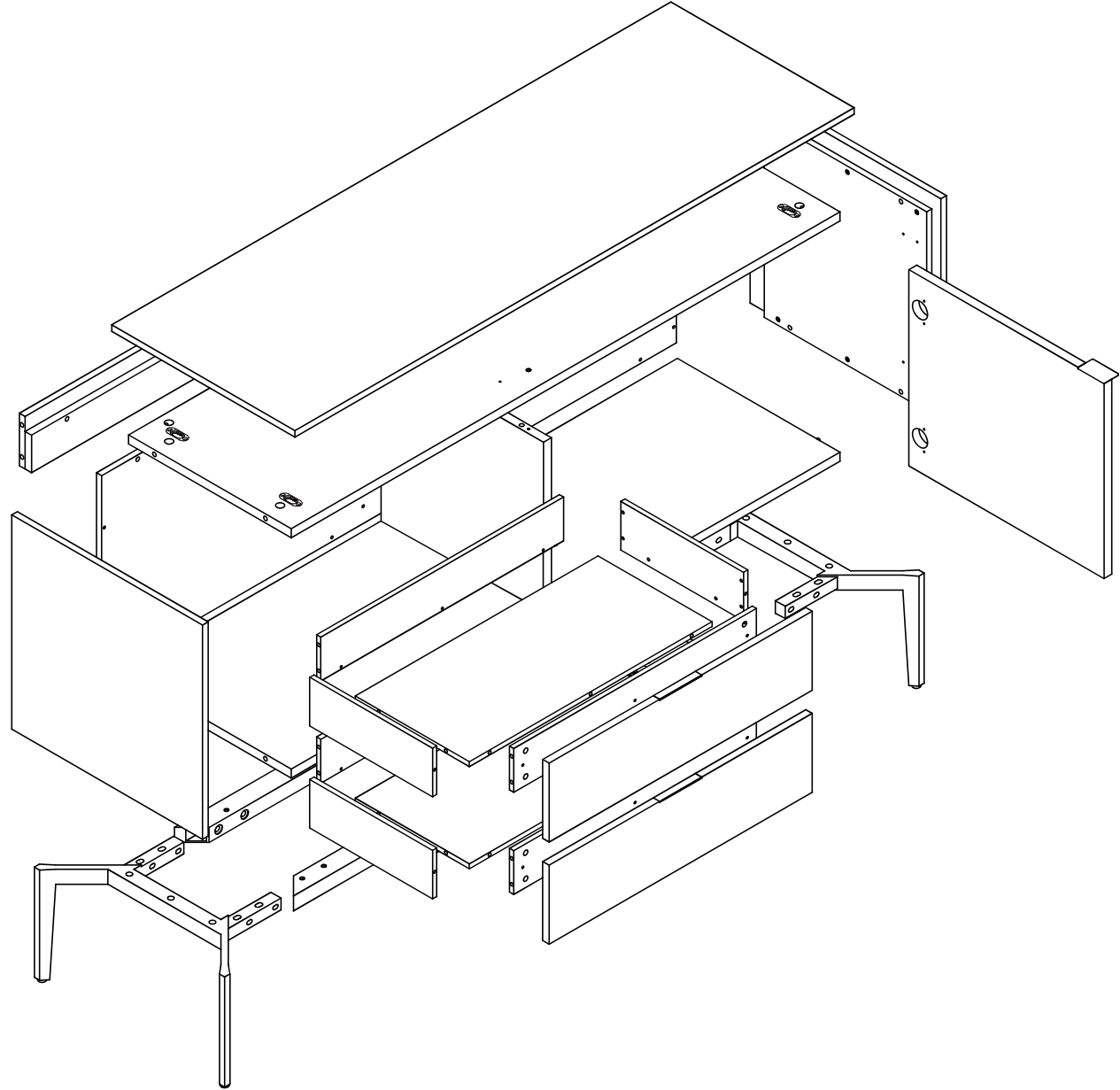
MATRIX

C04H0801.

Install Instruction



CAMERICH



A
 $\Phi 8 \times 30 = 4$

B
 $M5 \times 50 = 14$

C
 $3\text{mm} = 1$

D1
 $15\text{mm} = 11$
D2
 $= 11$

E1
 $12\text{mm} = 40$
E2
 $= 40$

F
 $M8 \times 35 = 8$

G
 $5\text{mm} = 1$

H
 $M8 \times 40 = 6$

I
 $M4 \times 12 = 24$

J1
 $= 2$

J2
 $= 2$

J3
 $= 2$

J4
 $= 2$

K
 $= 2$

L
 $\Phi 6 \times 30 = 4$

M
 $M4 \times 25 = 6$

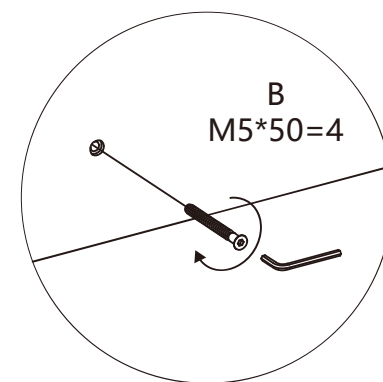
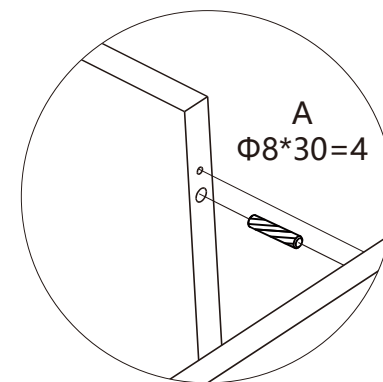
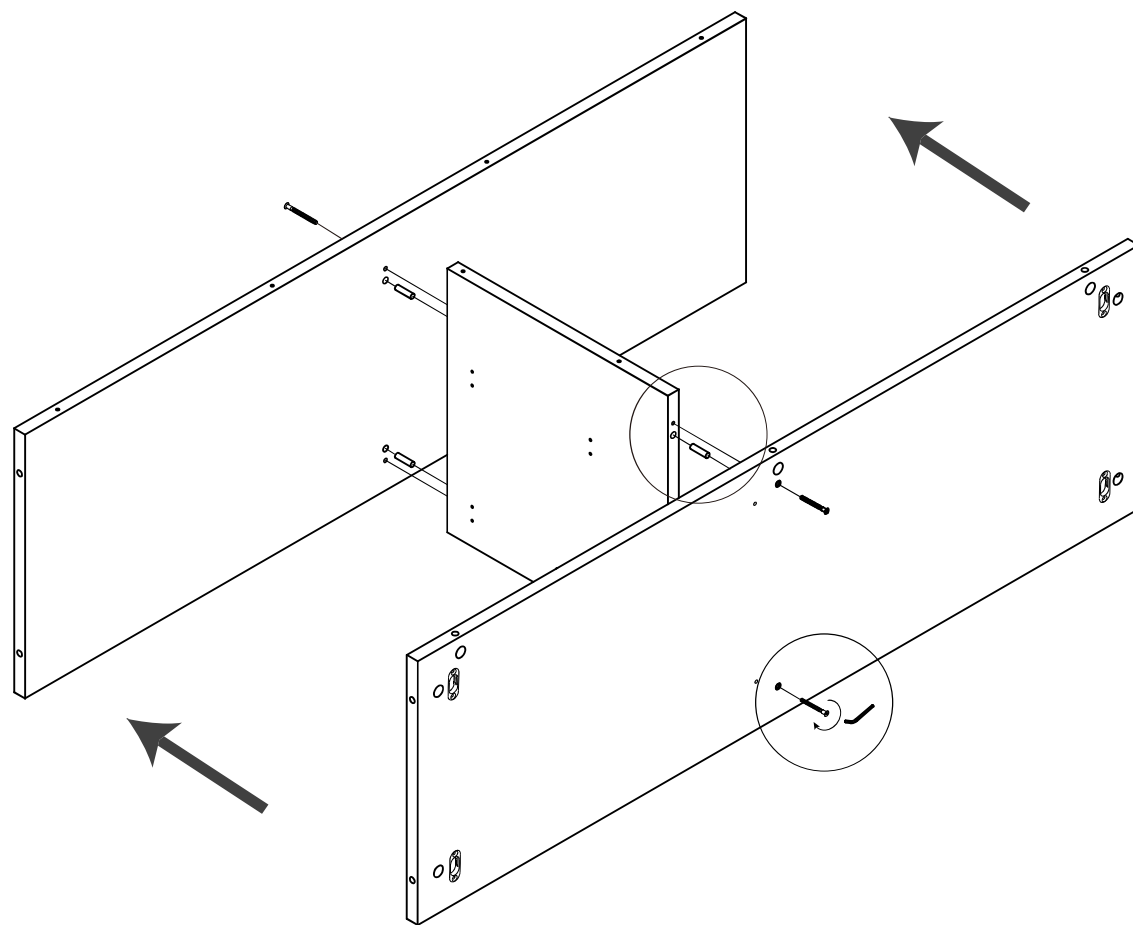
N
 $2.5\text{mm} = 1$

O
 $= 2$

P
 $= 4$


Q
 $M4 \times 16 = 12$

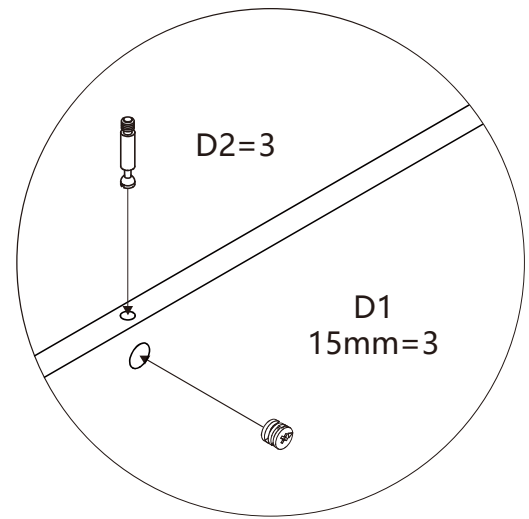
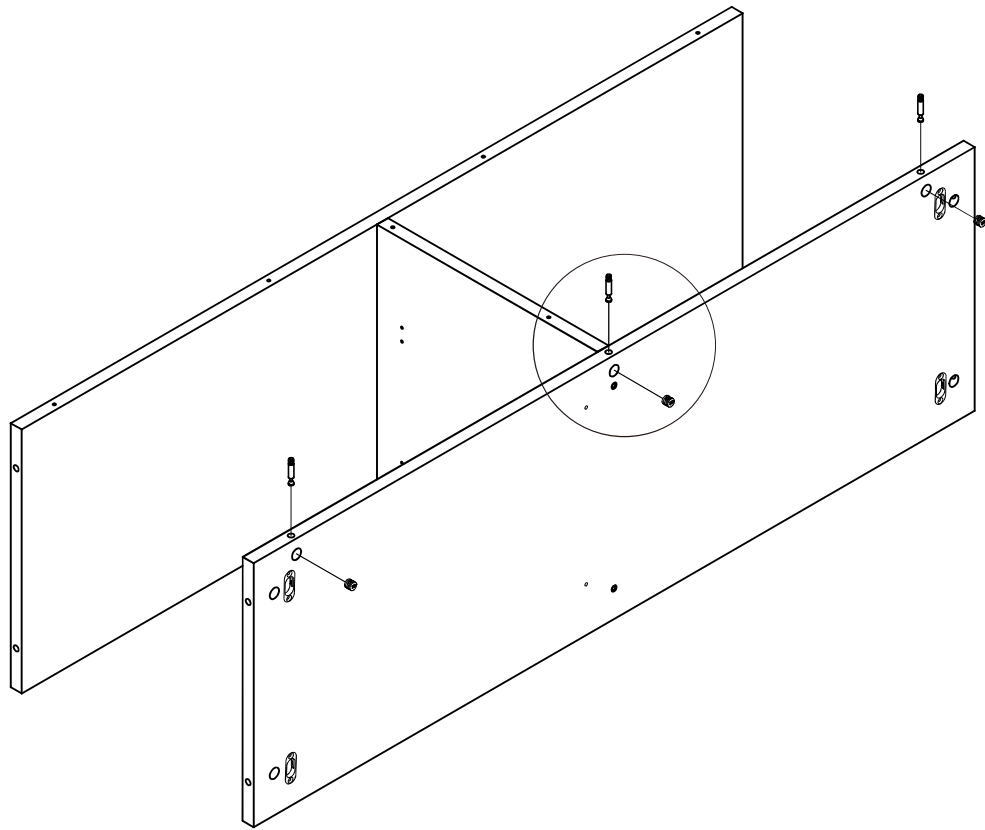
R
 $M4 \times 25 = 2$



 A
Φ8*30=4

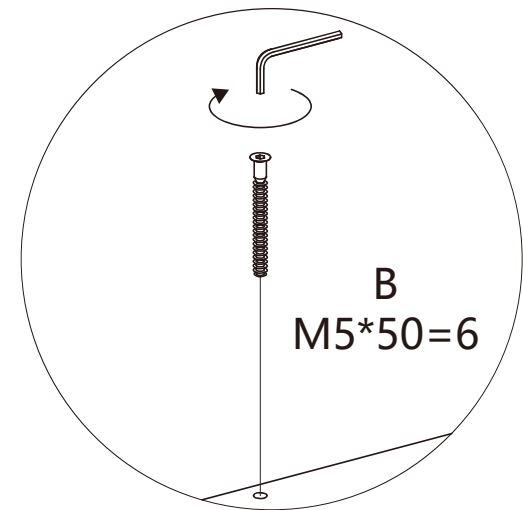
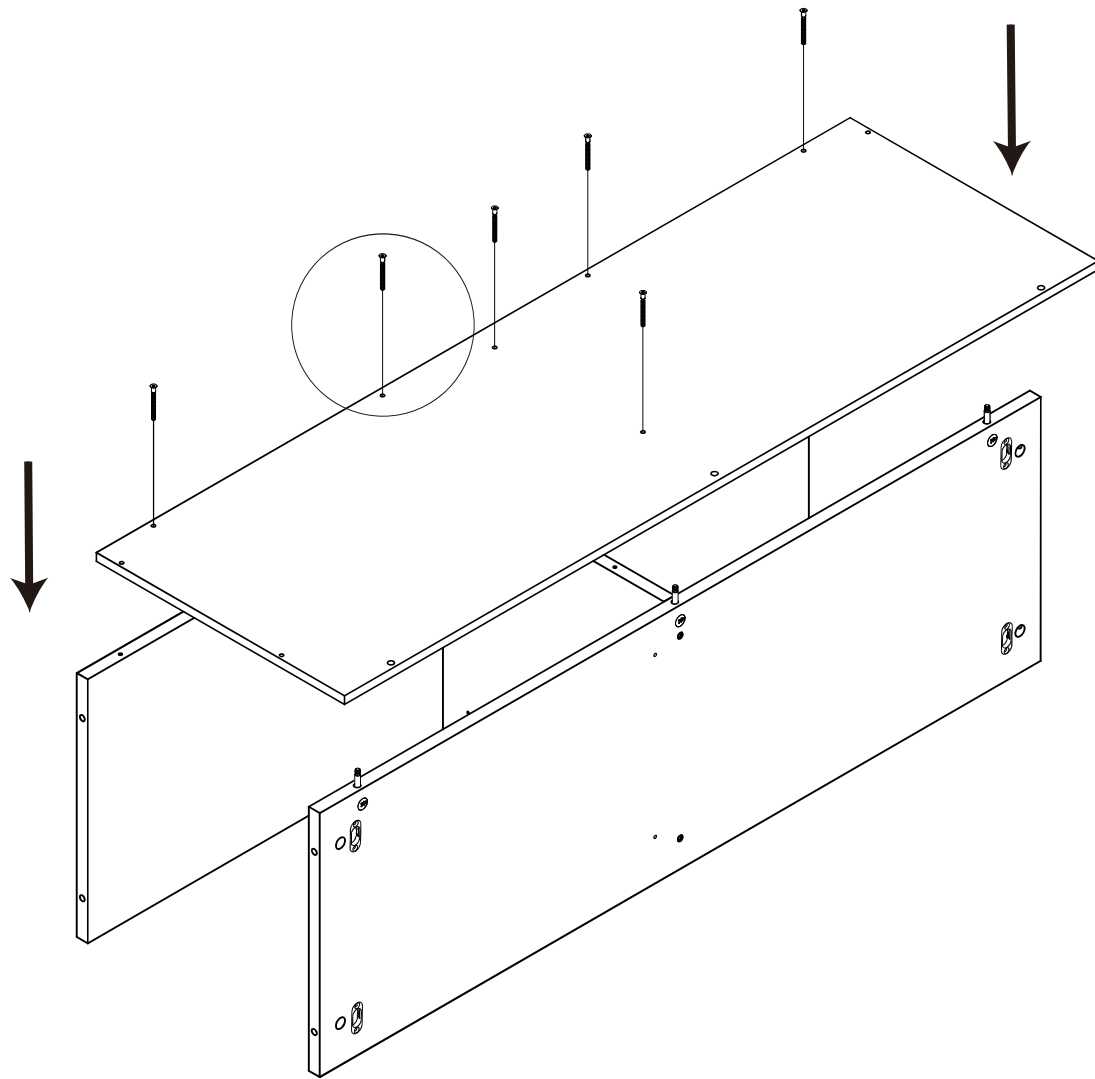
 B
M5*50=4

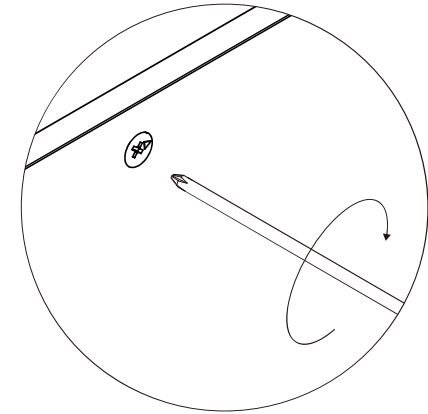
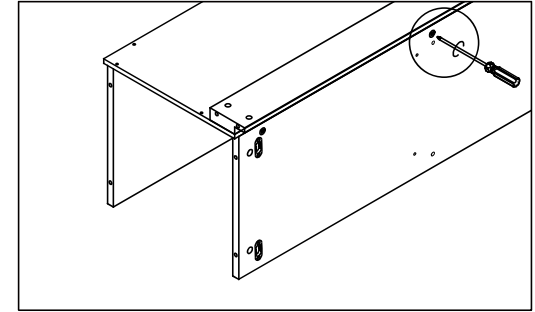
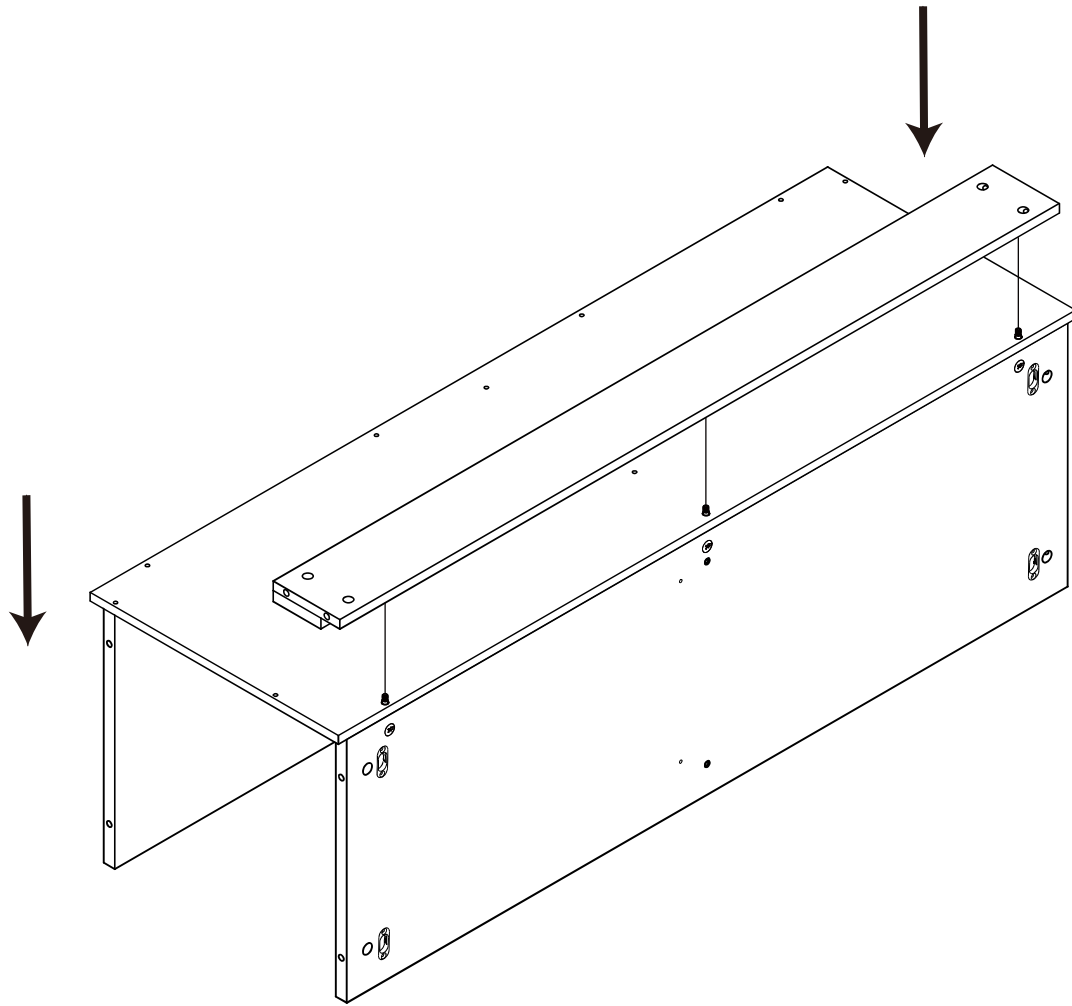
 C
3mm=1

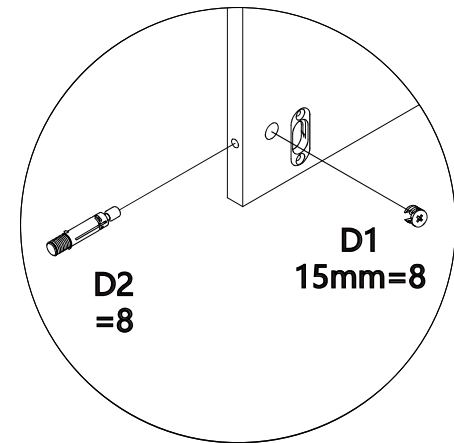
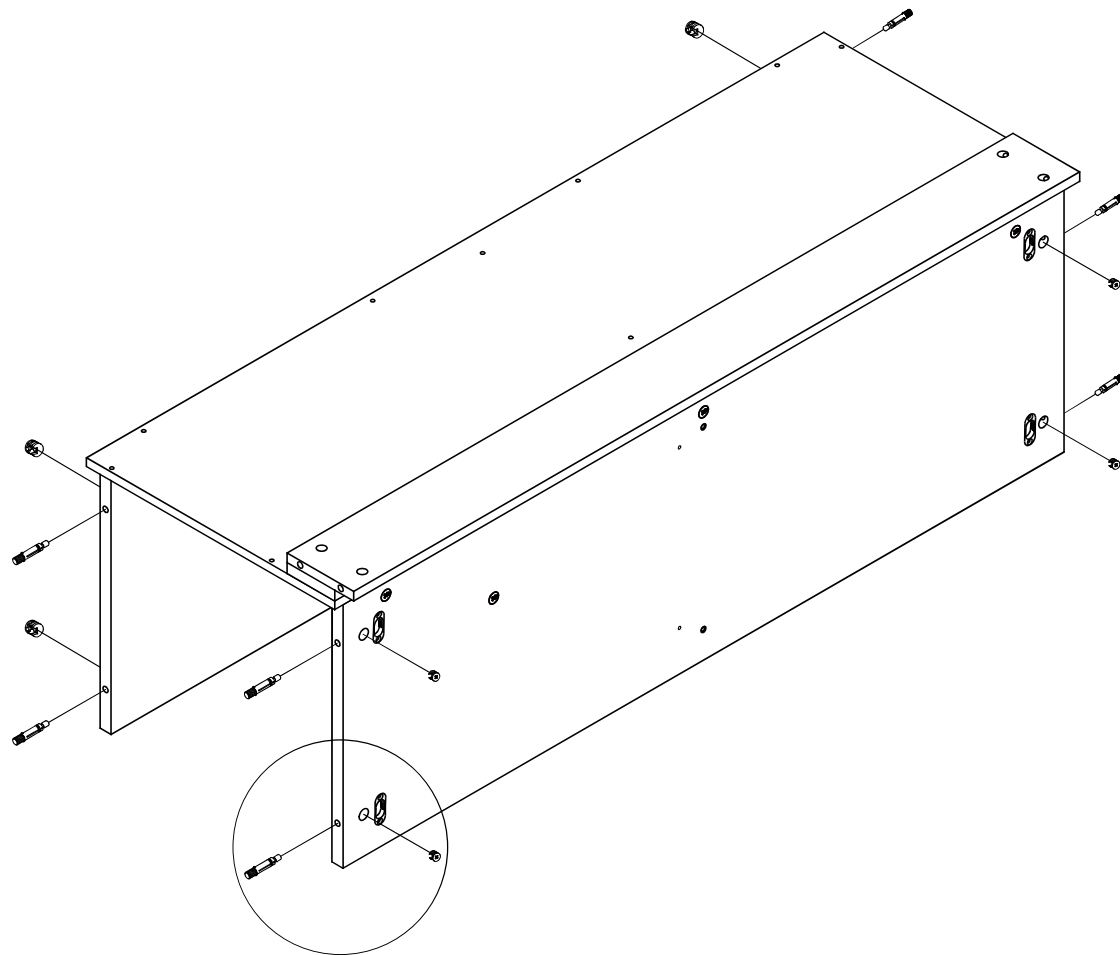


D1
15mm=3

D2
=3

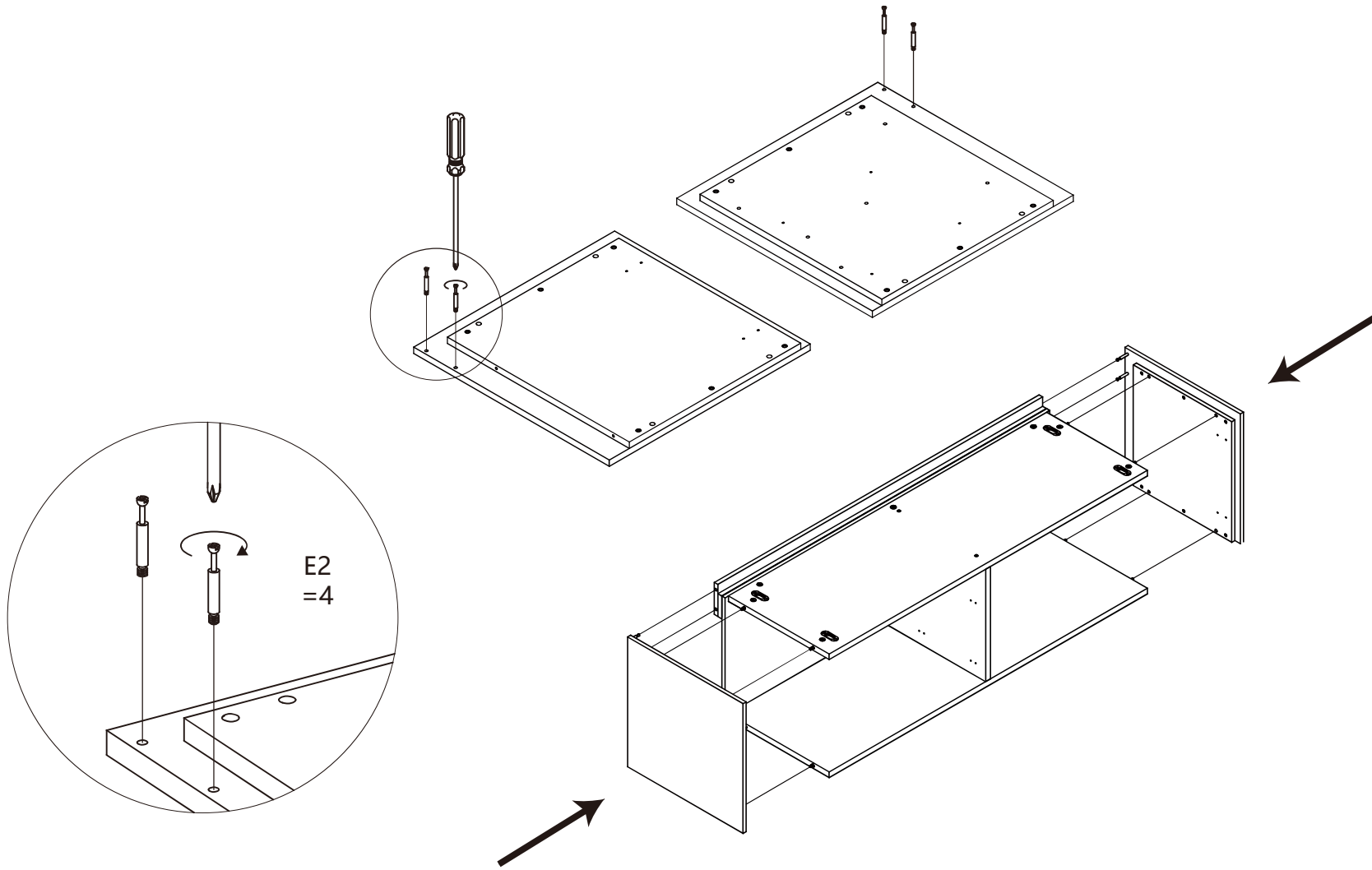




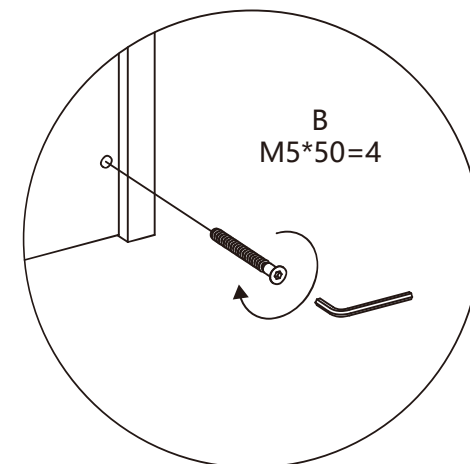
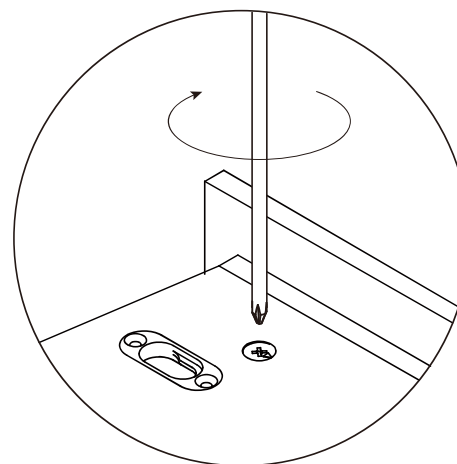
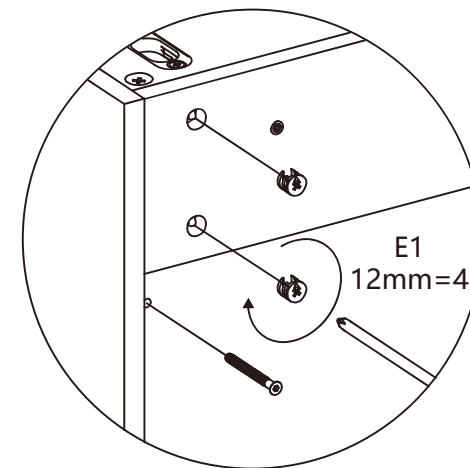
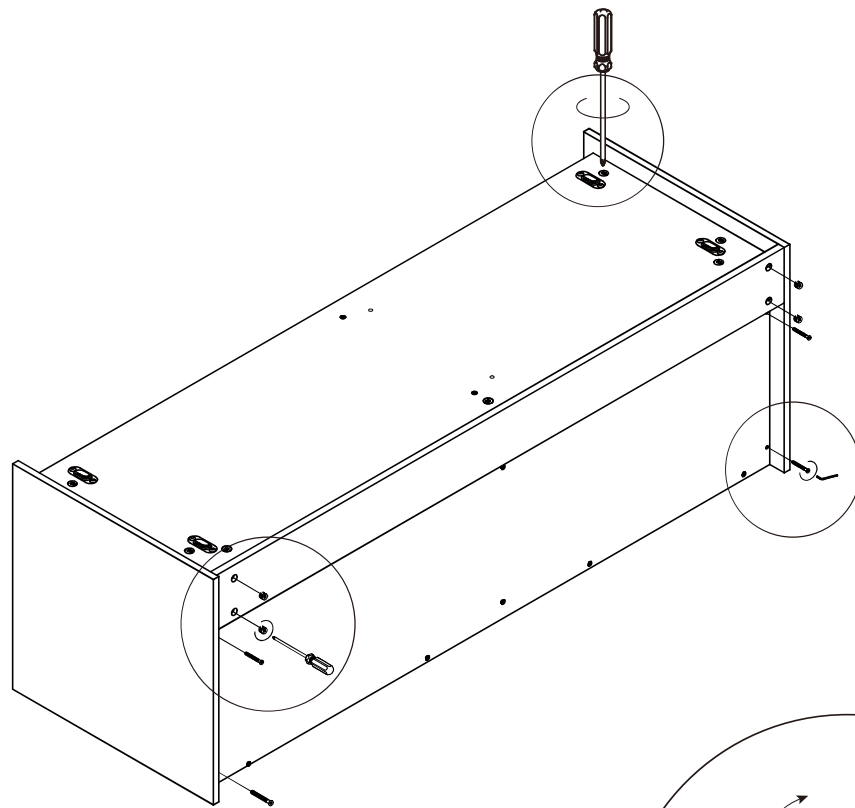


 D1
15mm=8

 D2=8



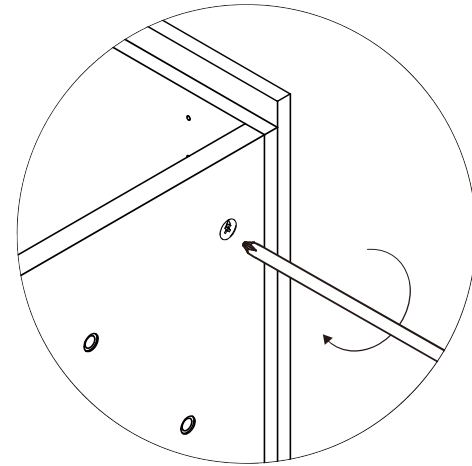
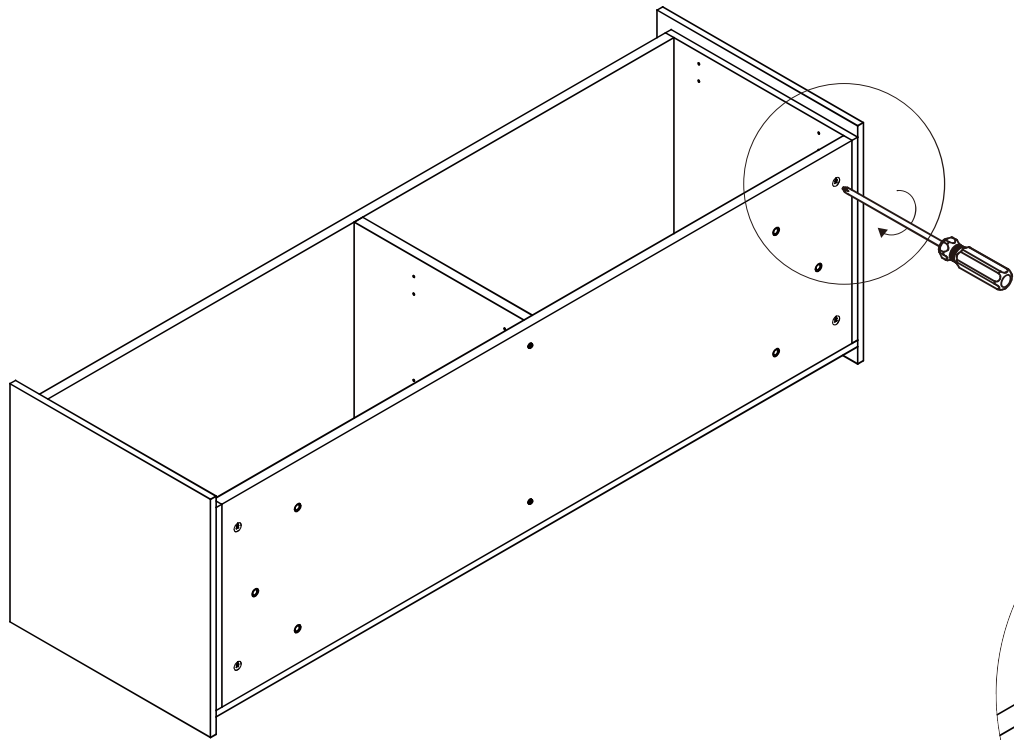
E2
=4

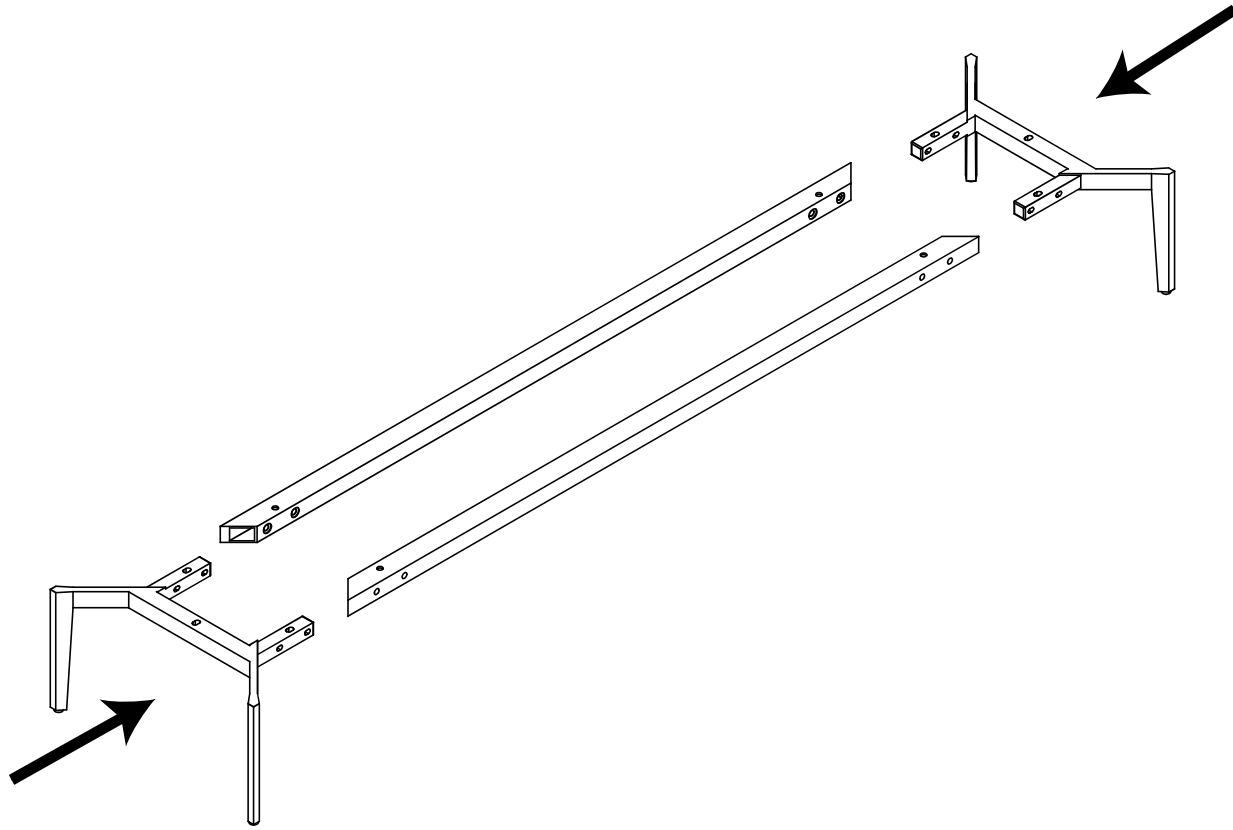


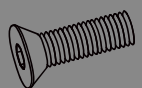
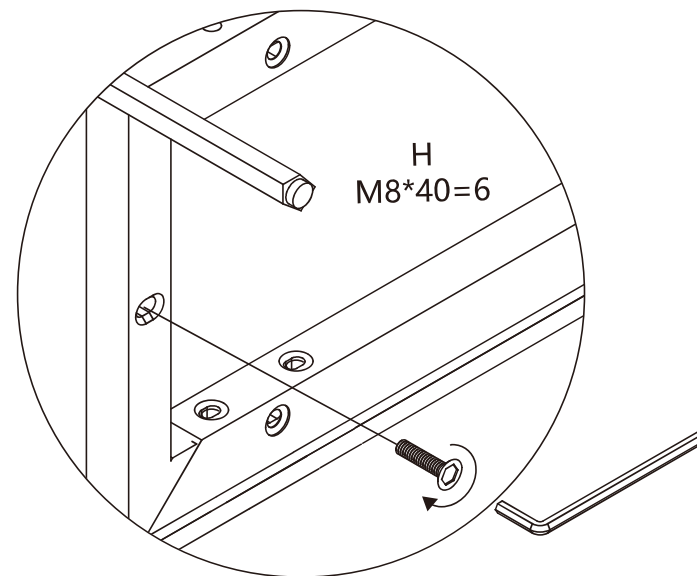
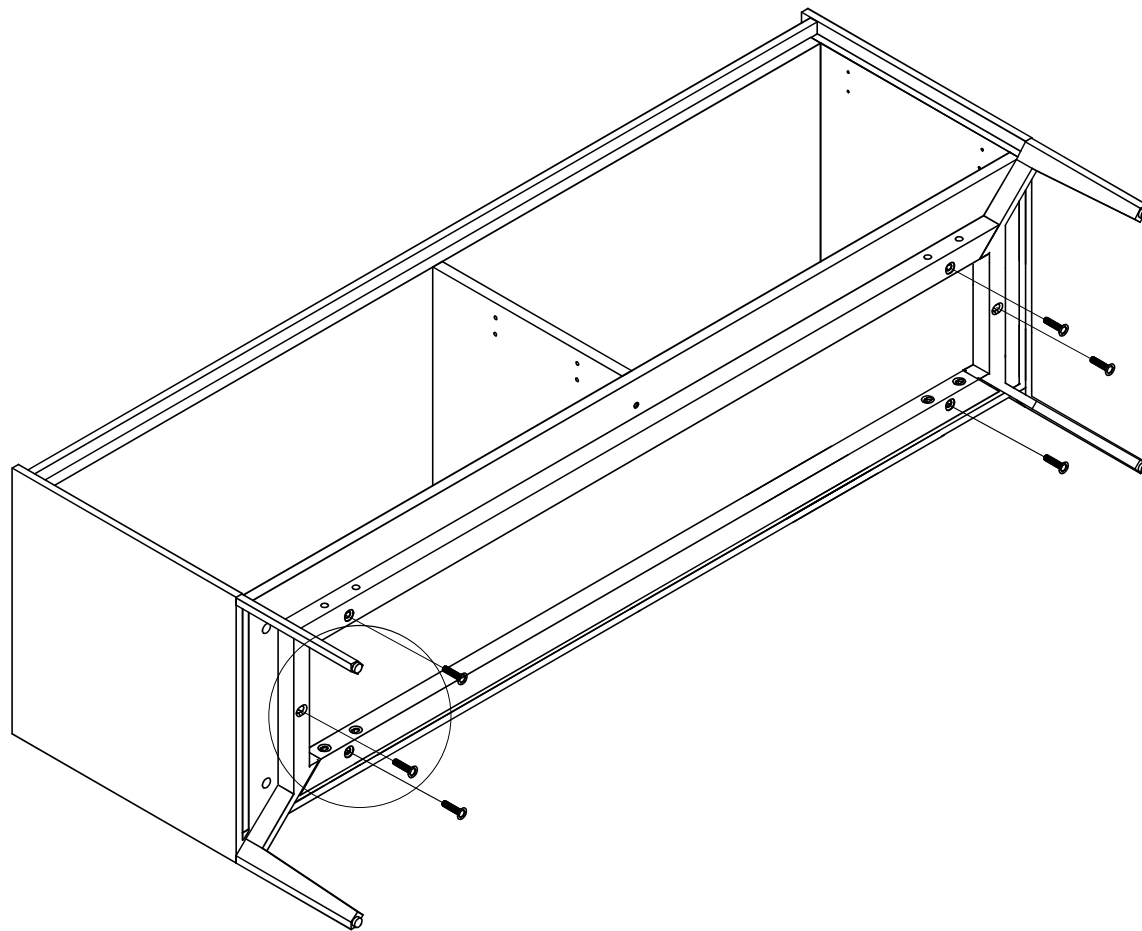
B
M5*50=4



E1
12mm=4



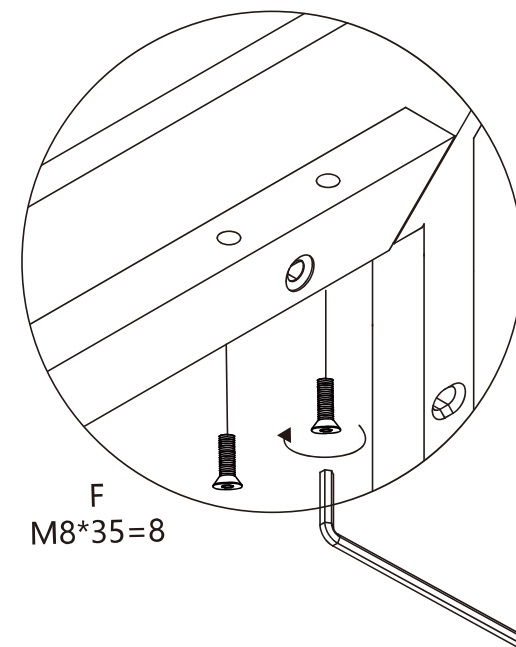
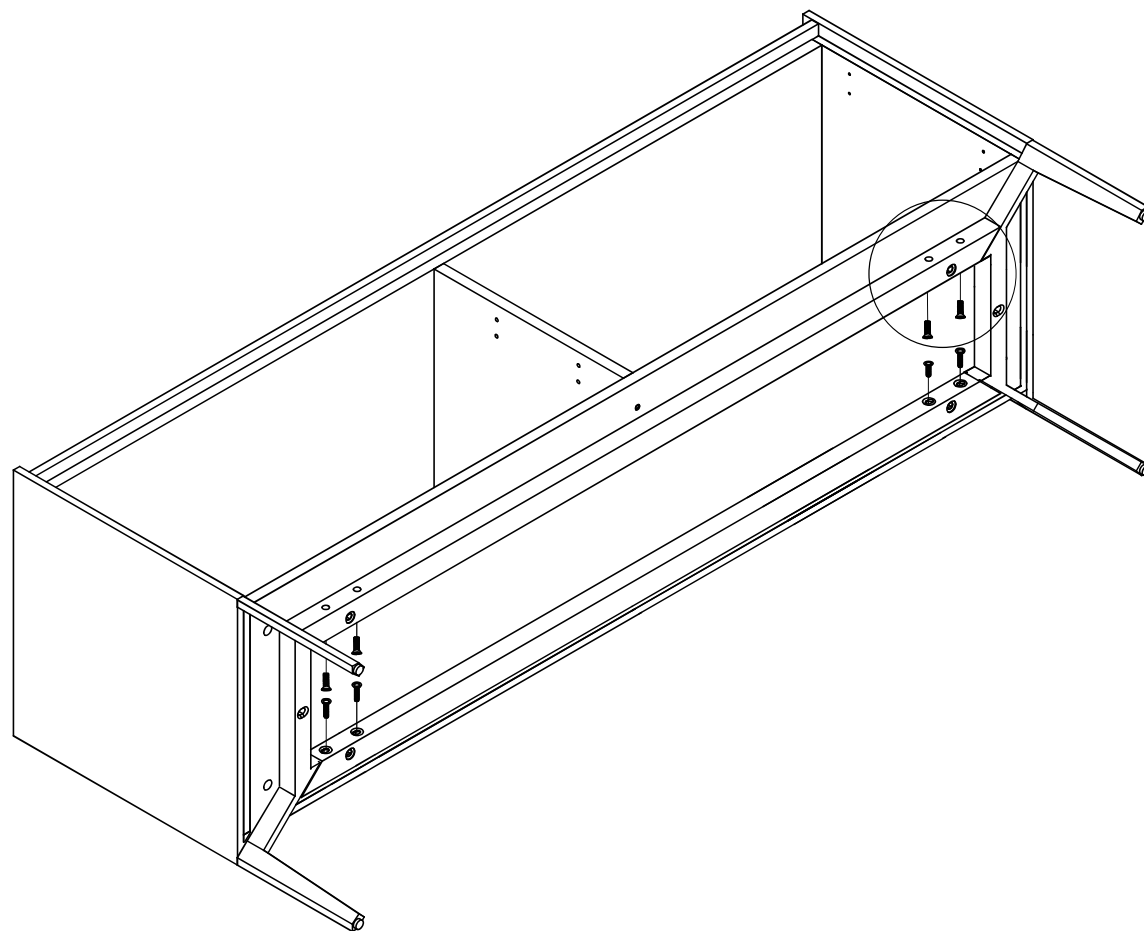




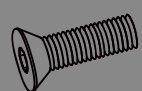
H
M8*40=6



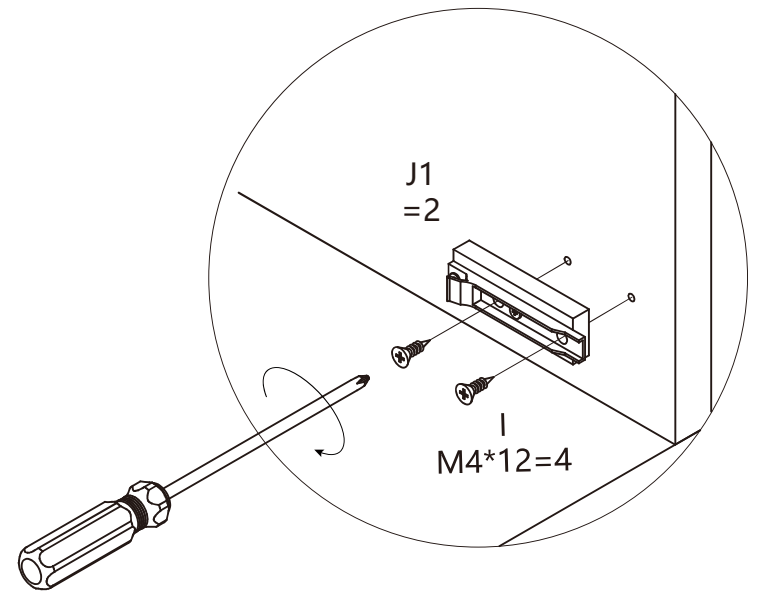
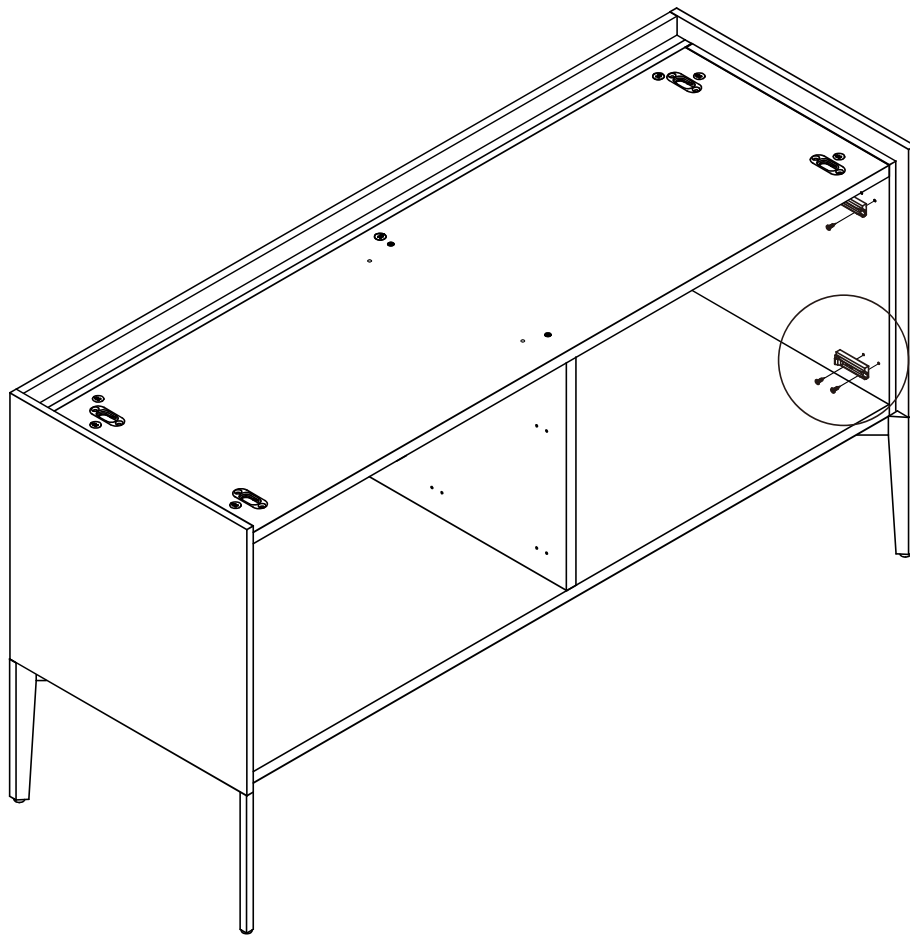
G
5mm=1



F
M8*35=8



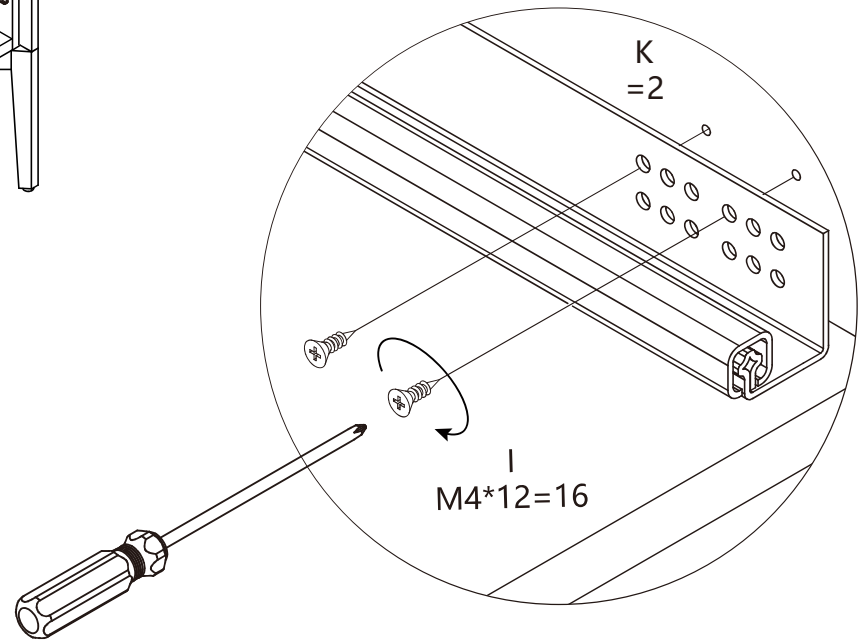
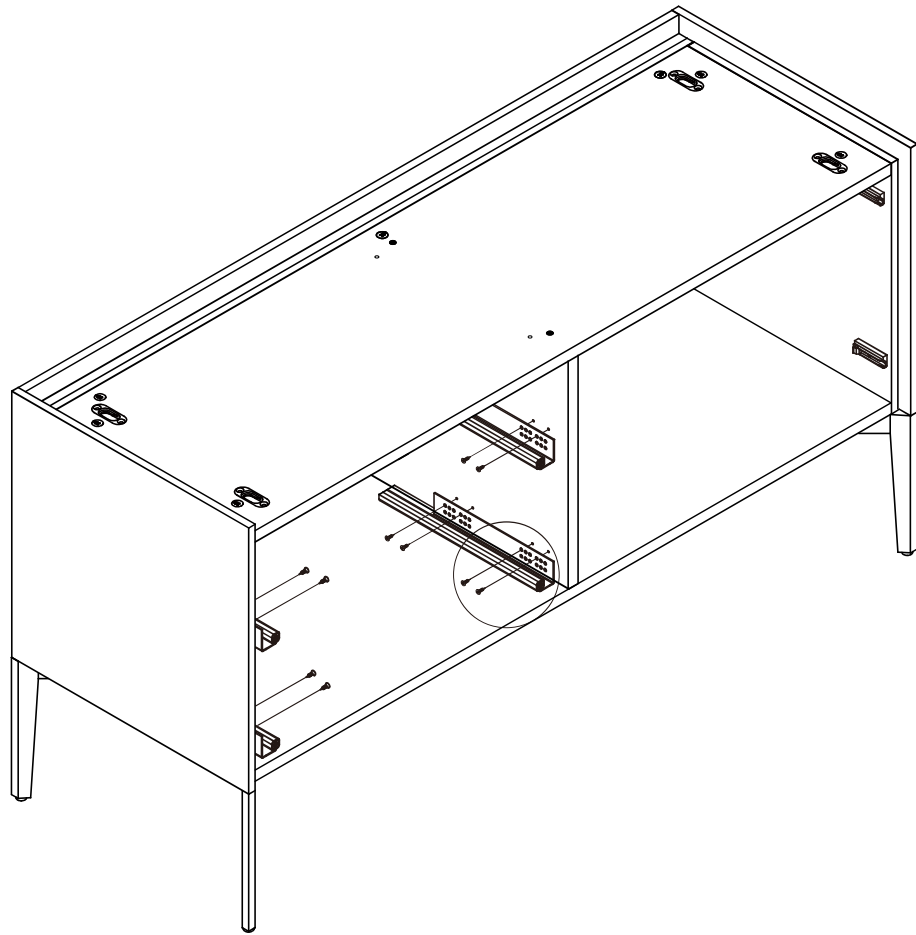
F
M8*35=8




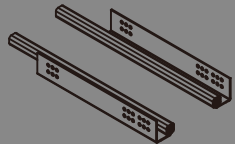
 |
M4*12=4

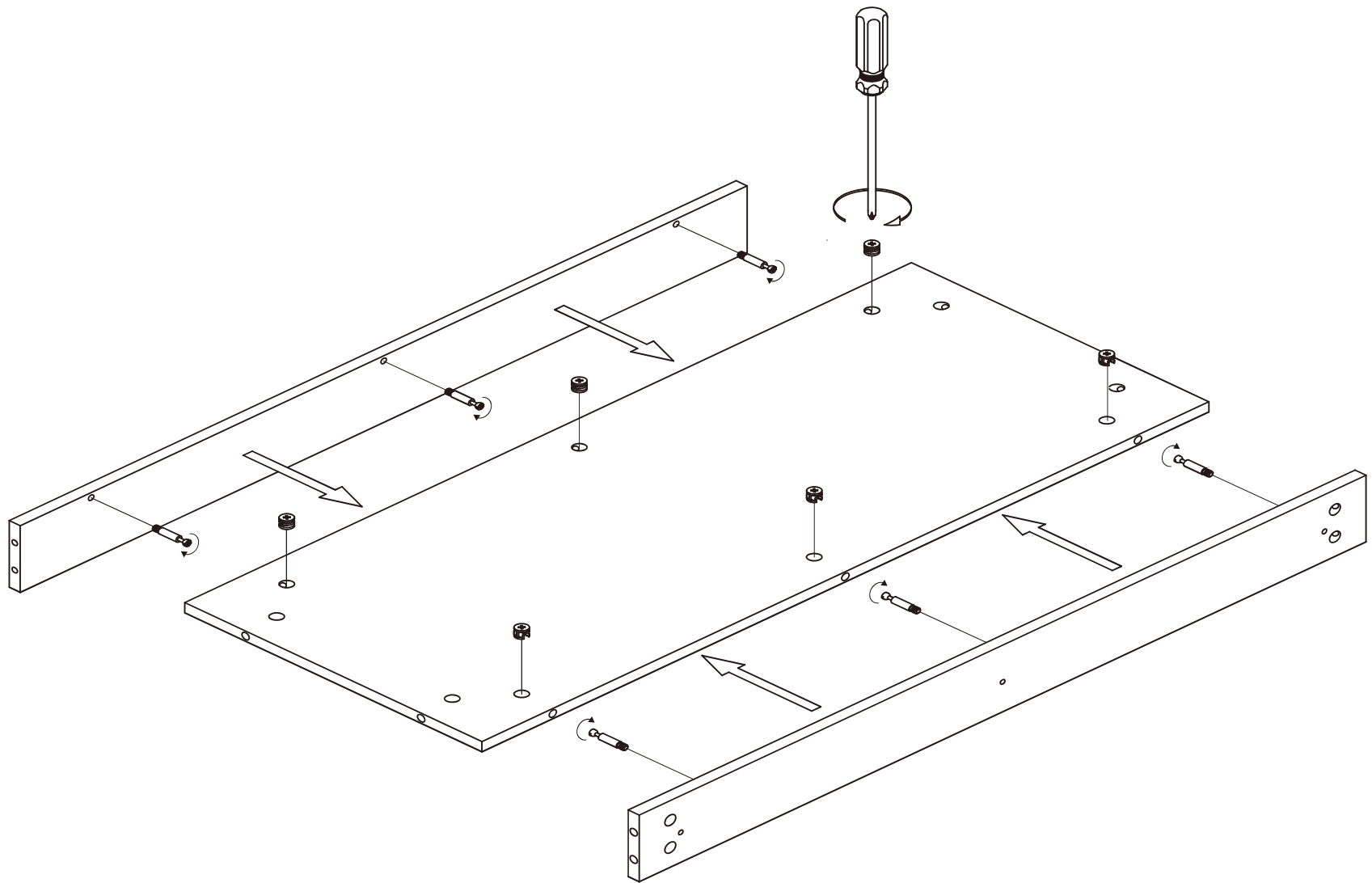


J1
=2

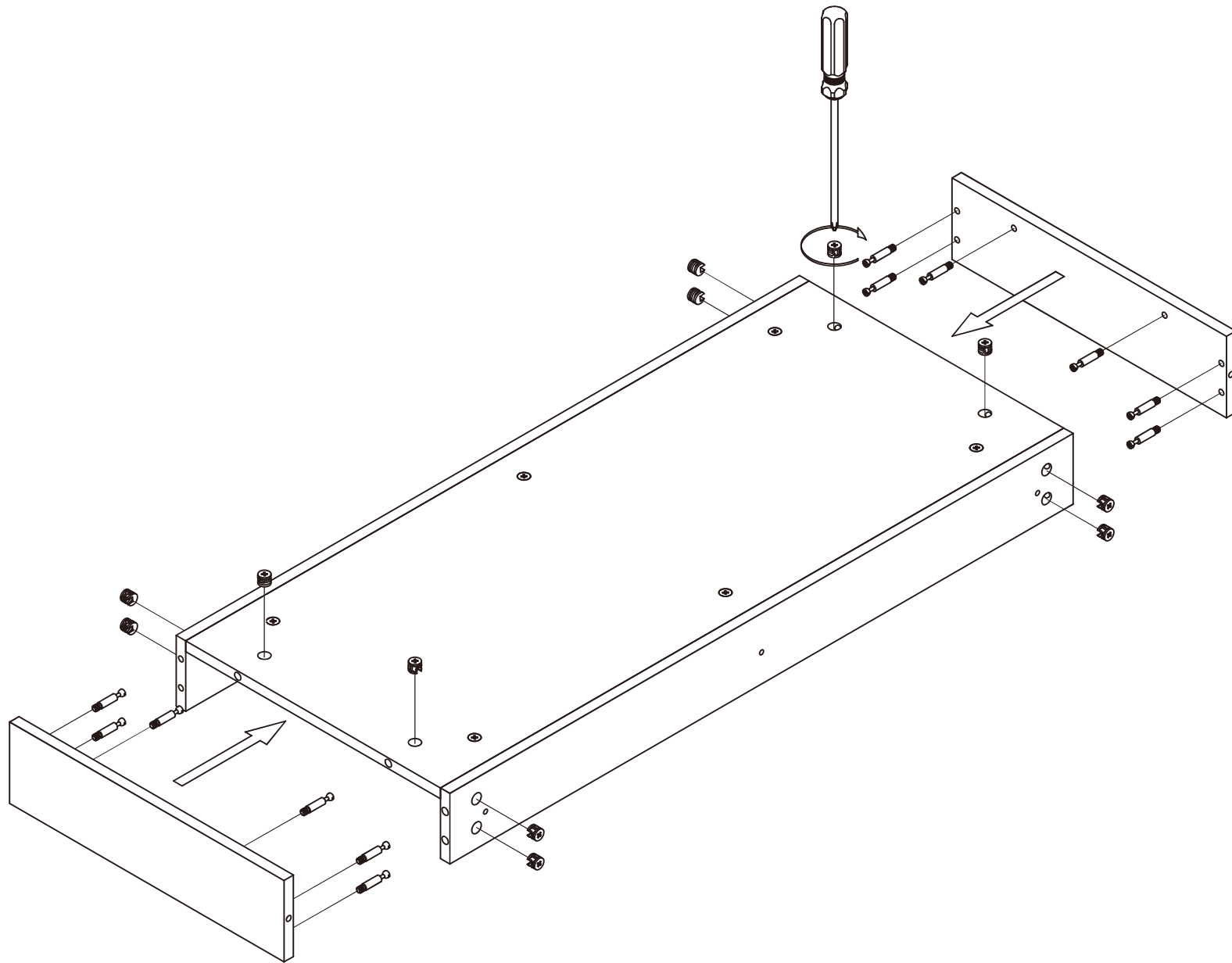


 I
M4*12=16

 K
=2

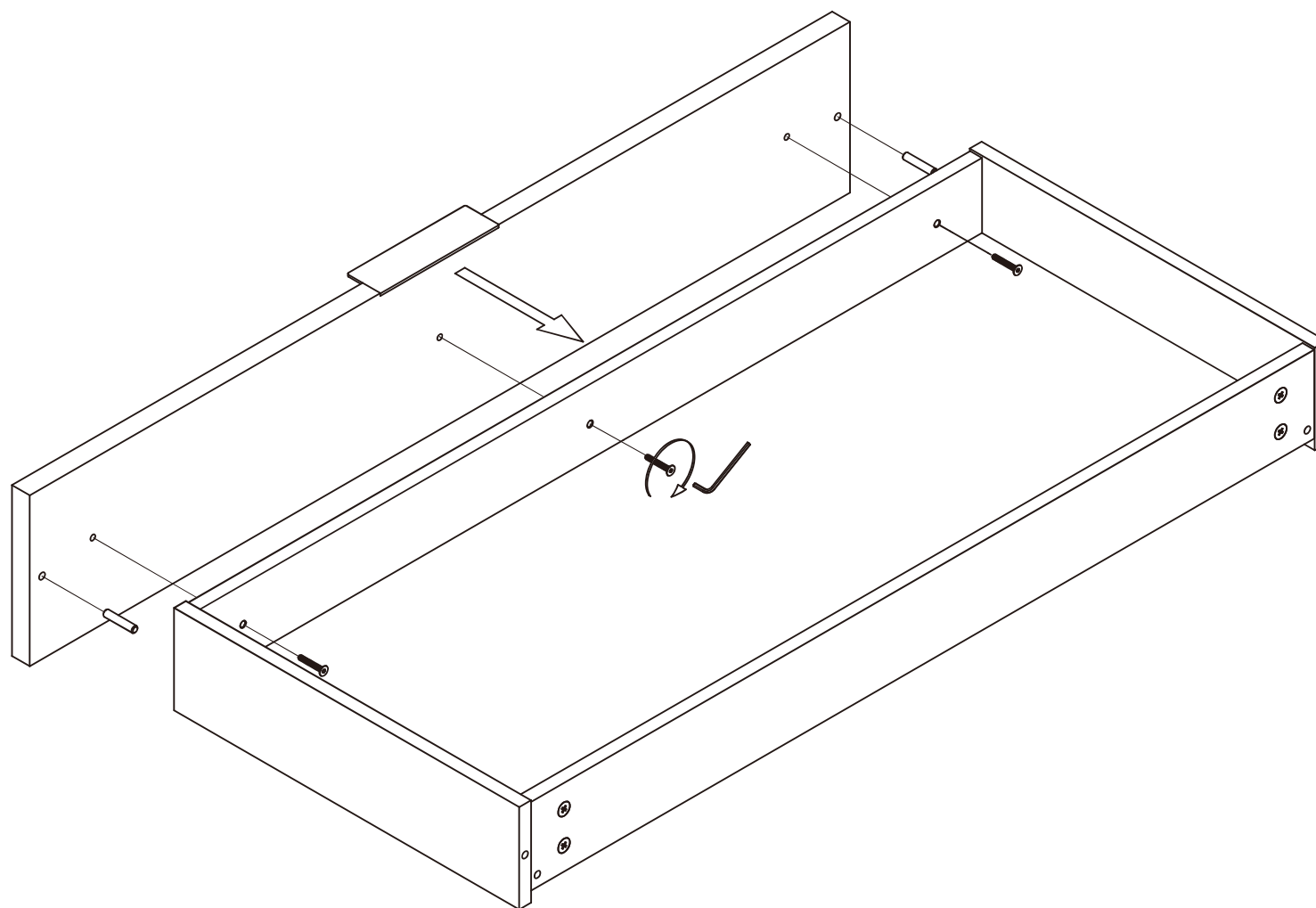



E1
12mm=6
E2
=6




E1
12mm=12

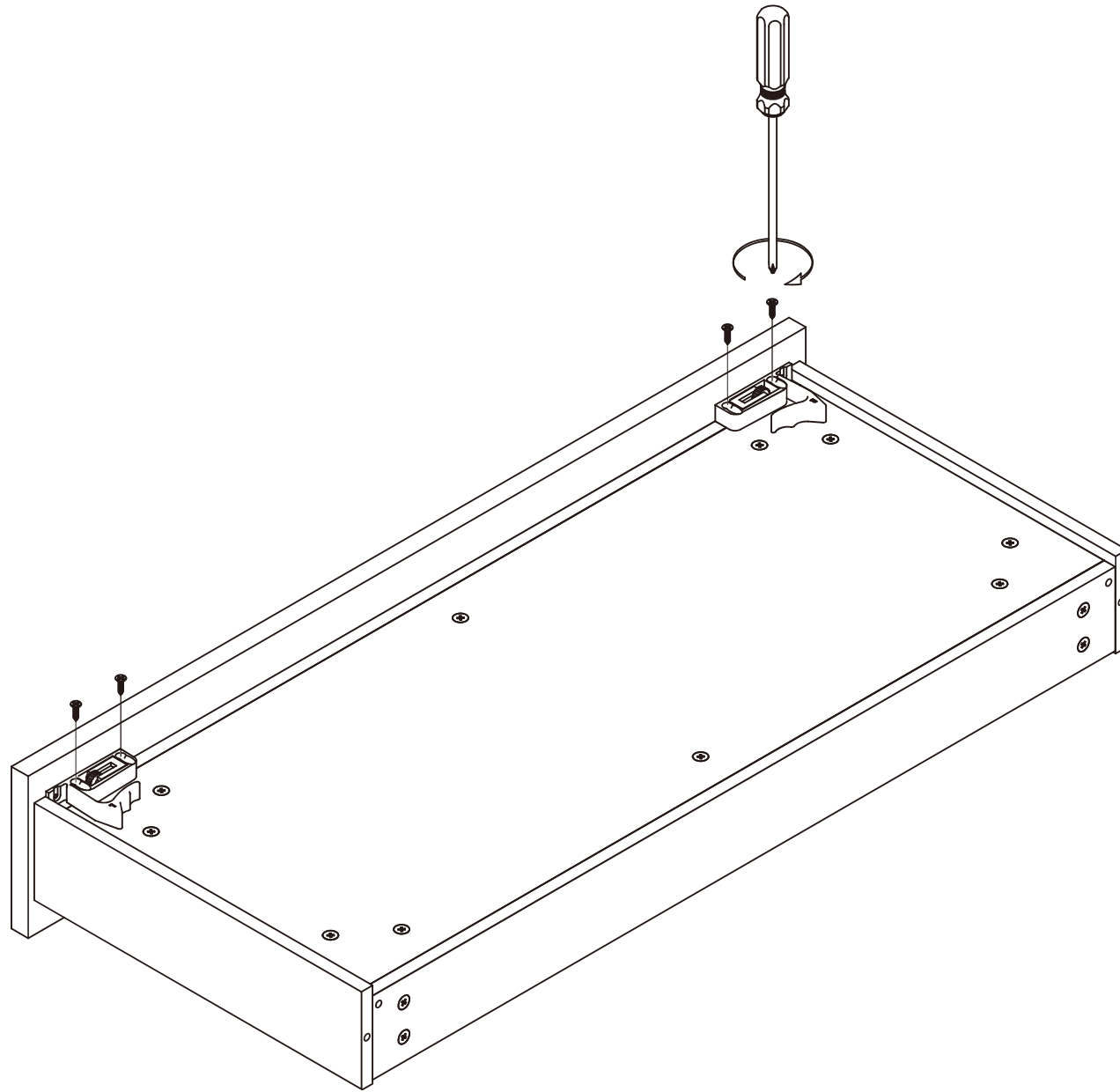
E2
=12





 L
Φ6*30=2

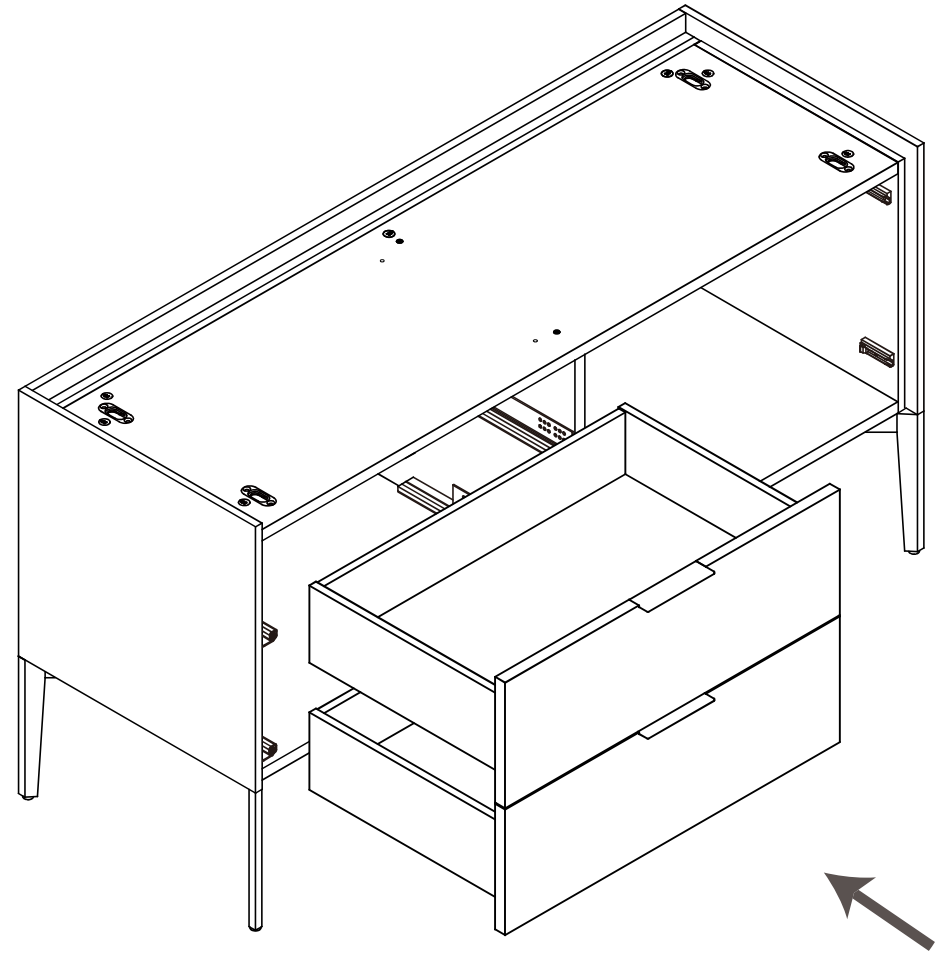
 M
M4*25=3

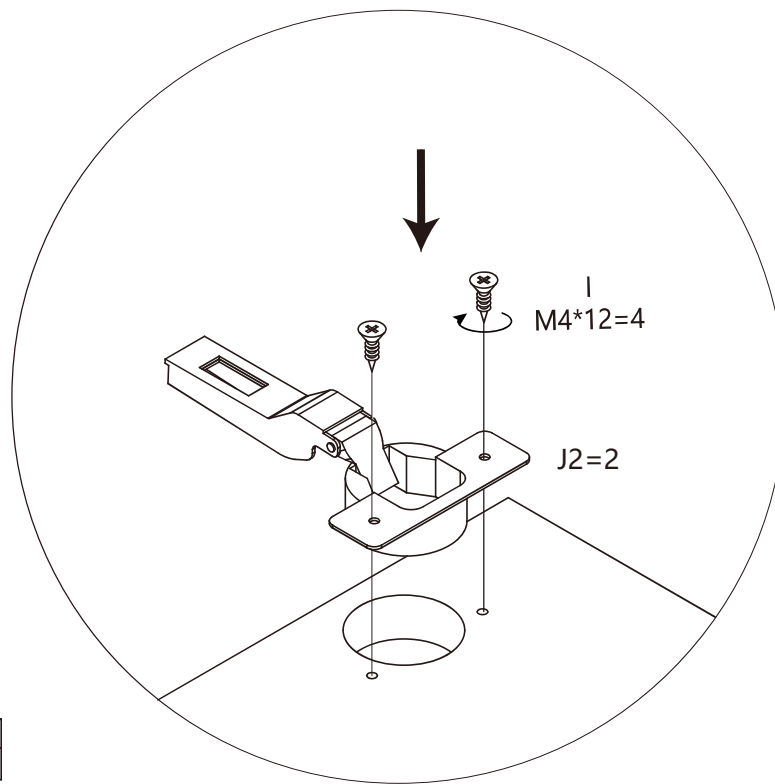
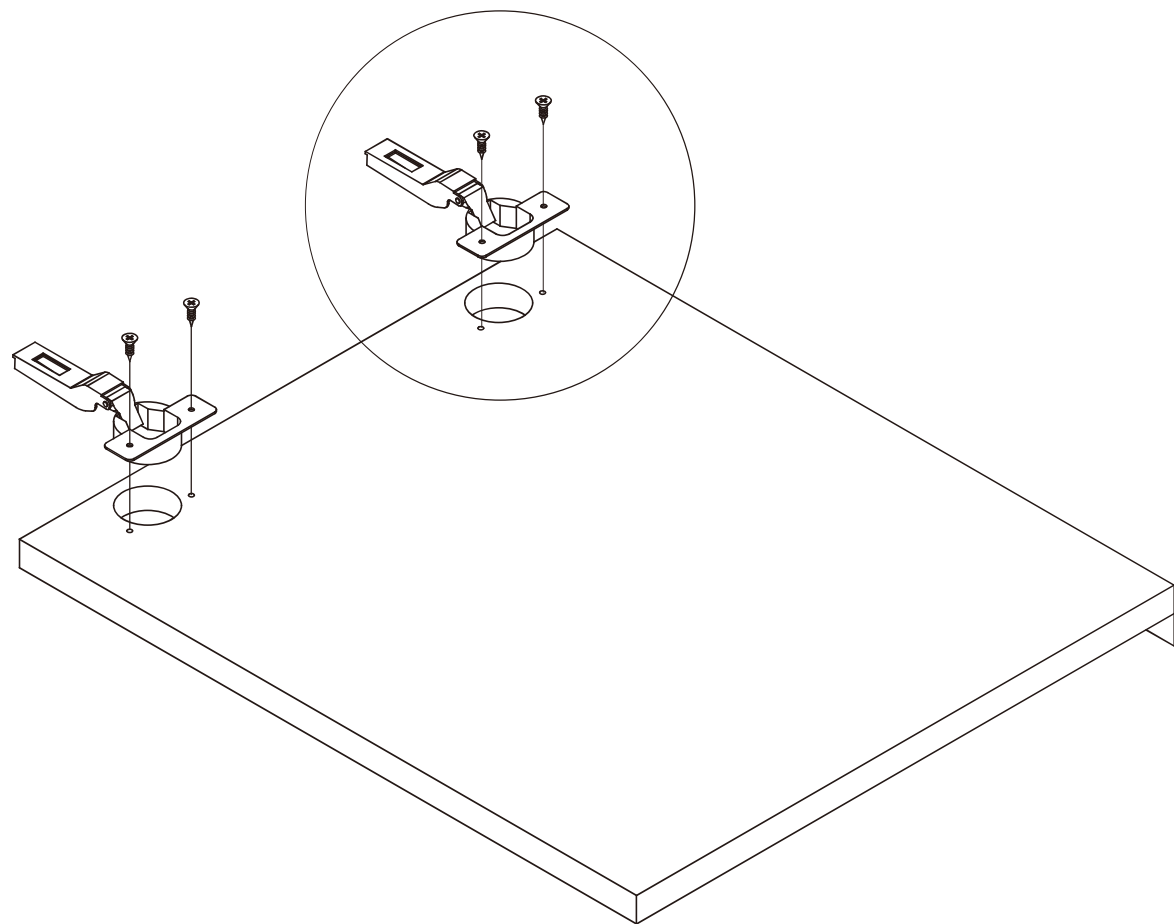
 N
2.5mm=1



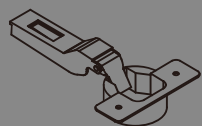
 Q
M4*16=4

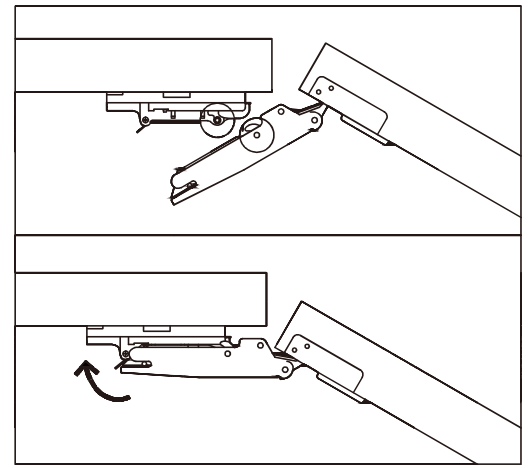
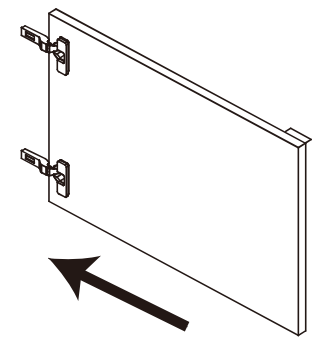
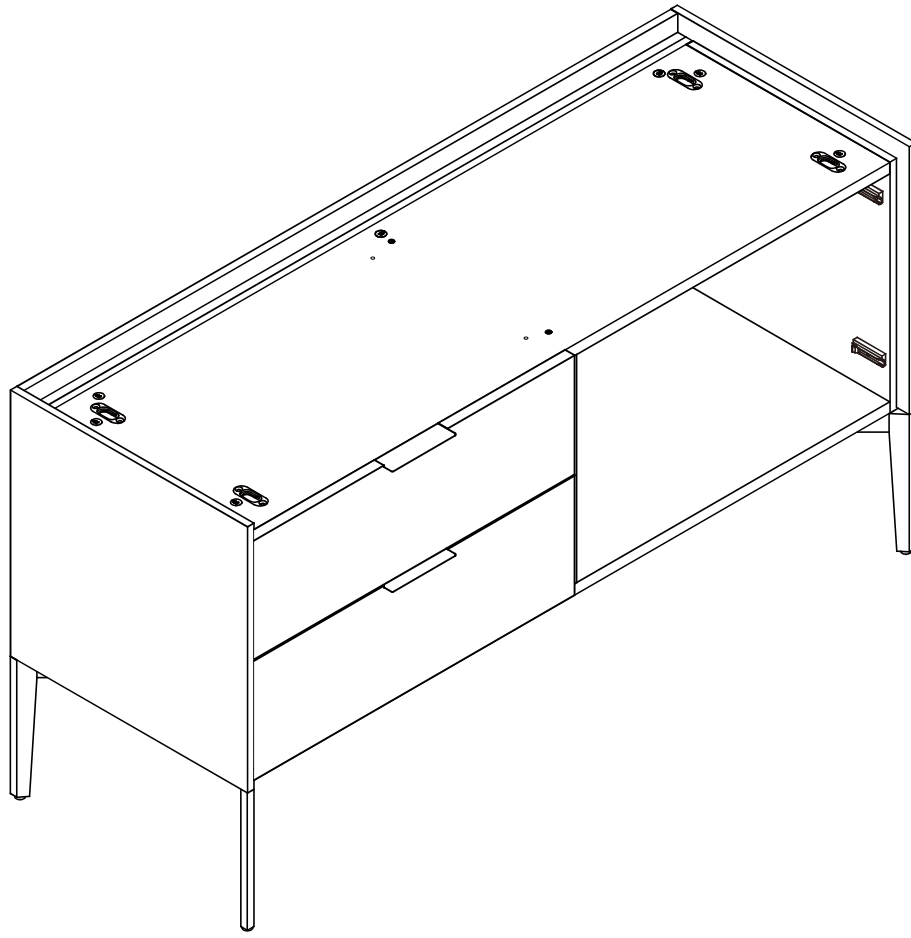
  O
=1

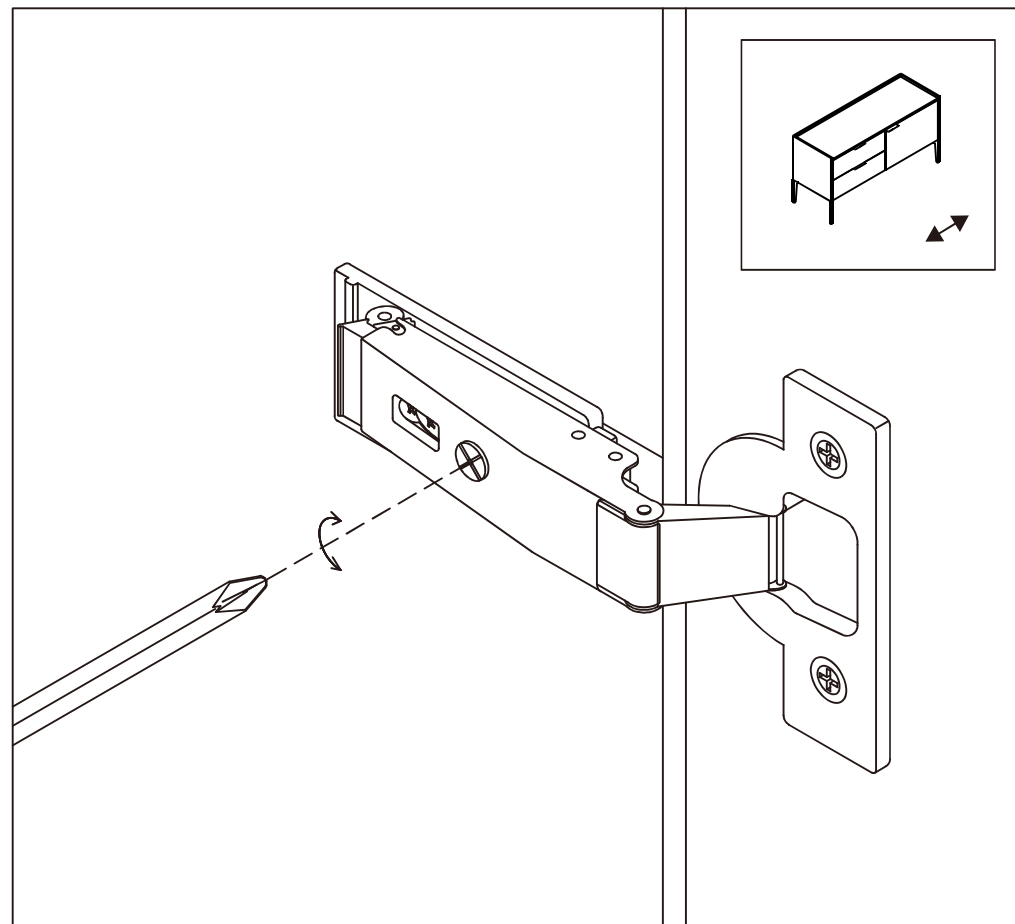
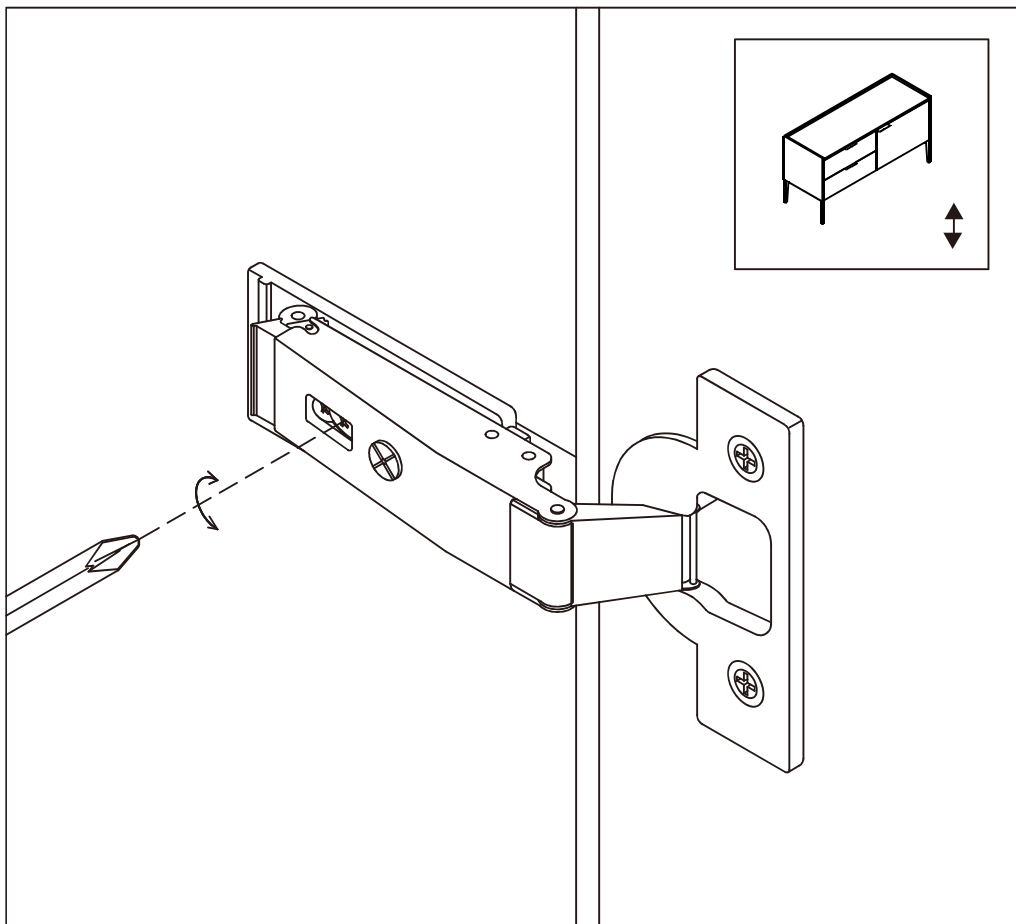


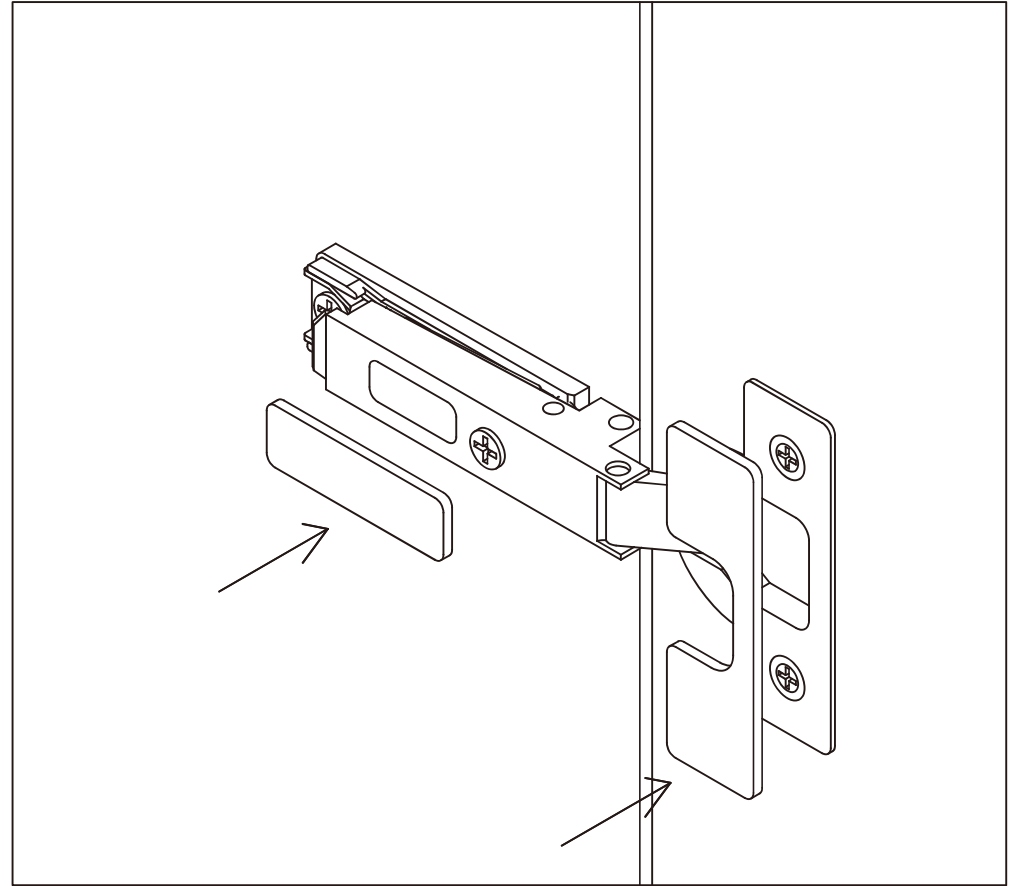
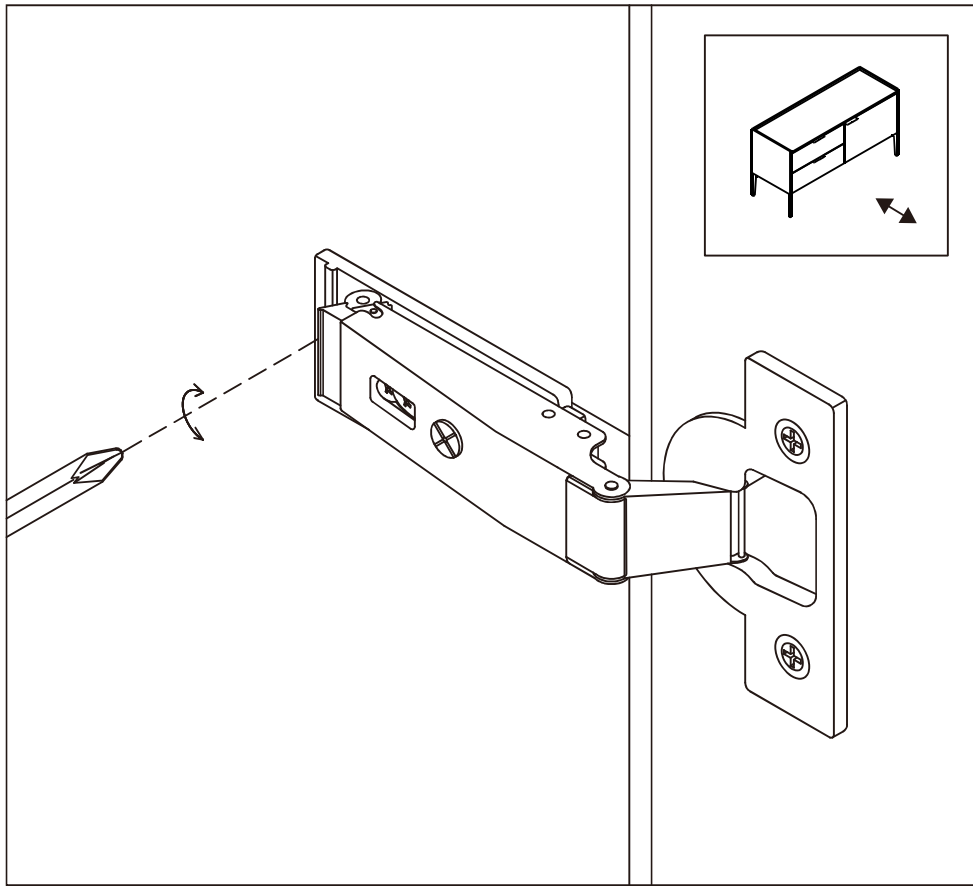


 $M4*12=4$

 $J2=2$







J4
=2

J3
=2

