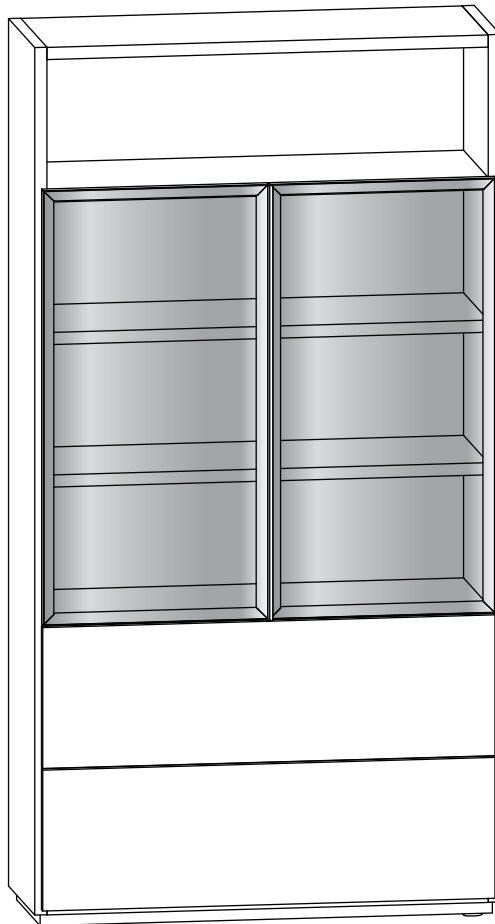


CONTENT

C0400104.

Installation Instruction



CAMERICH

Φ6*30mm



15X

M4X16mm



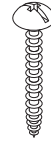
40X

M4X9mm



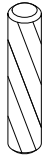
±8X

M4X30mm



24X

Φ8*40mm

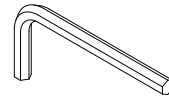


8X

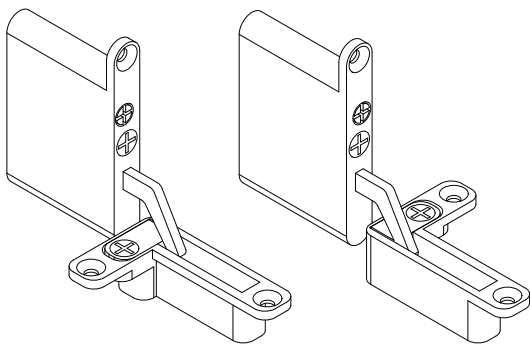
4mm



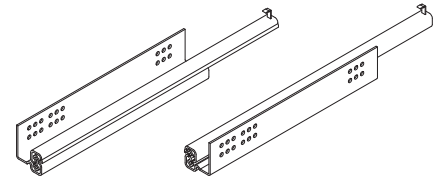
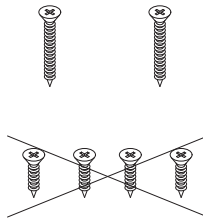
24X



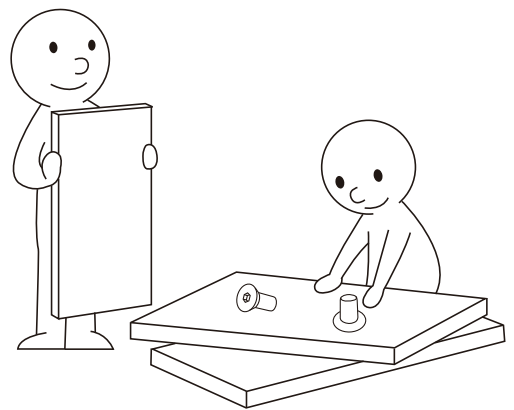
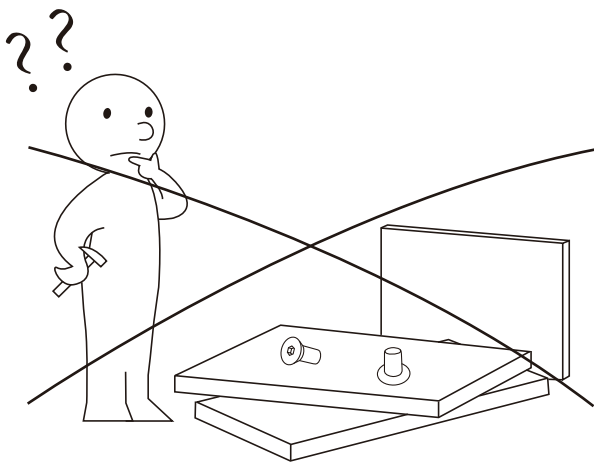
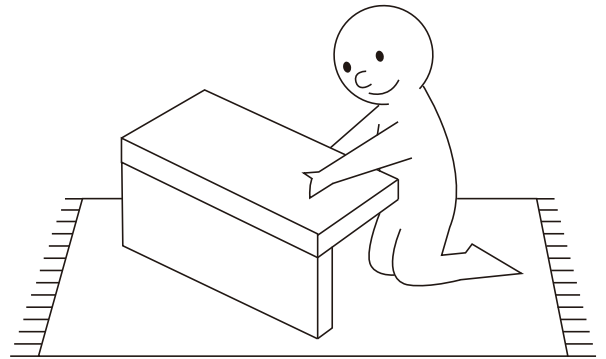
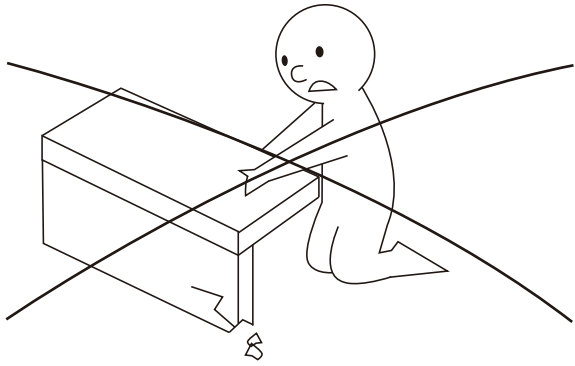
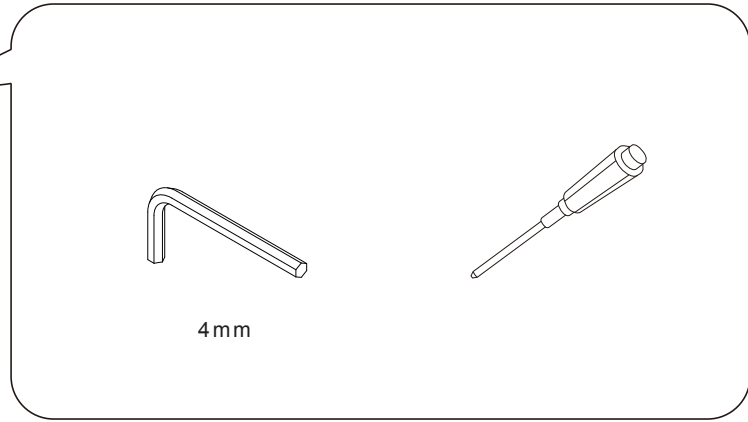
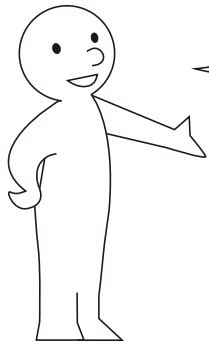
1X

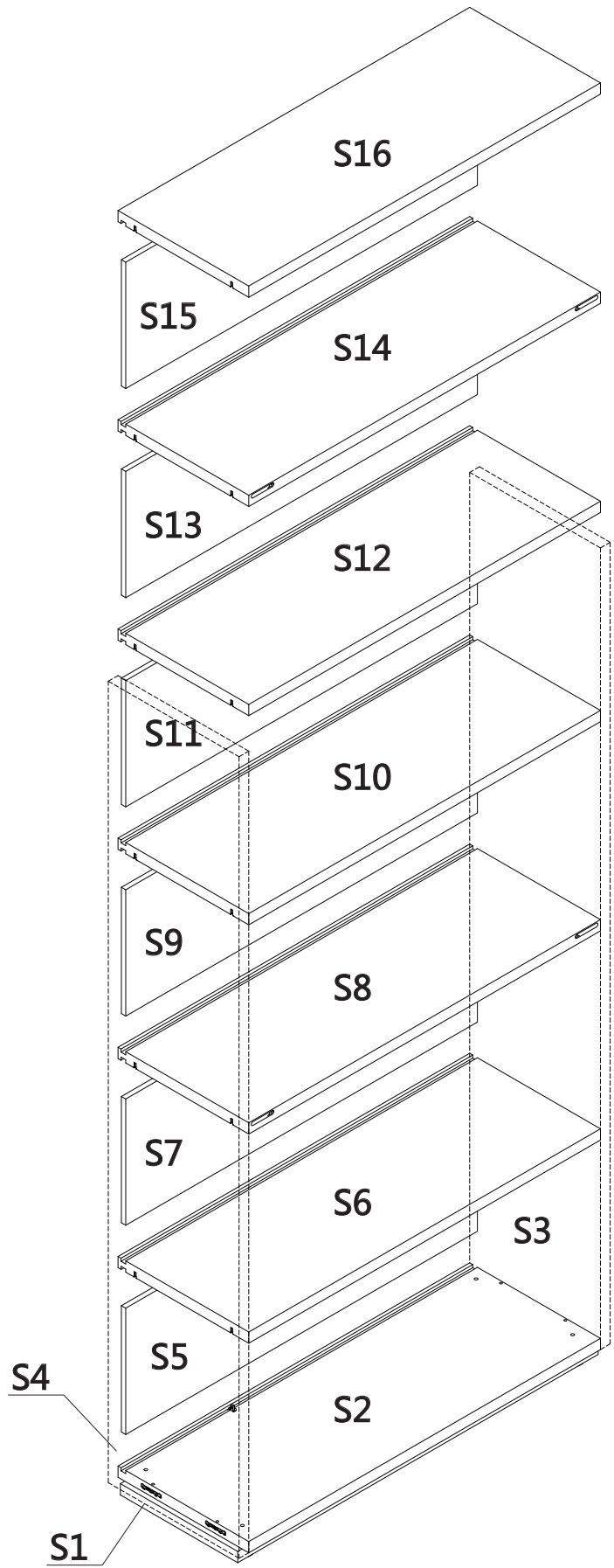


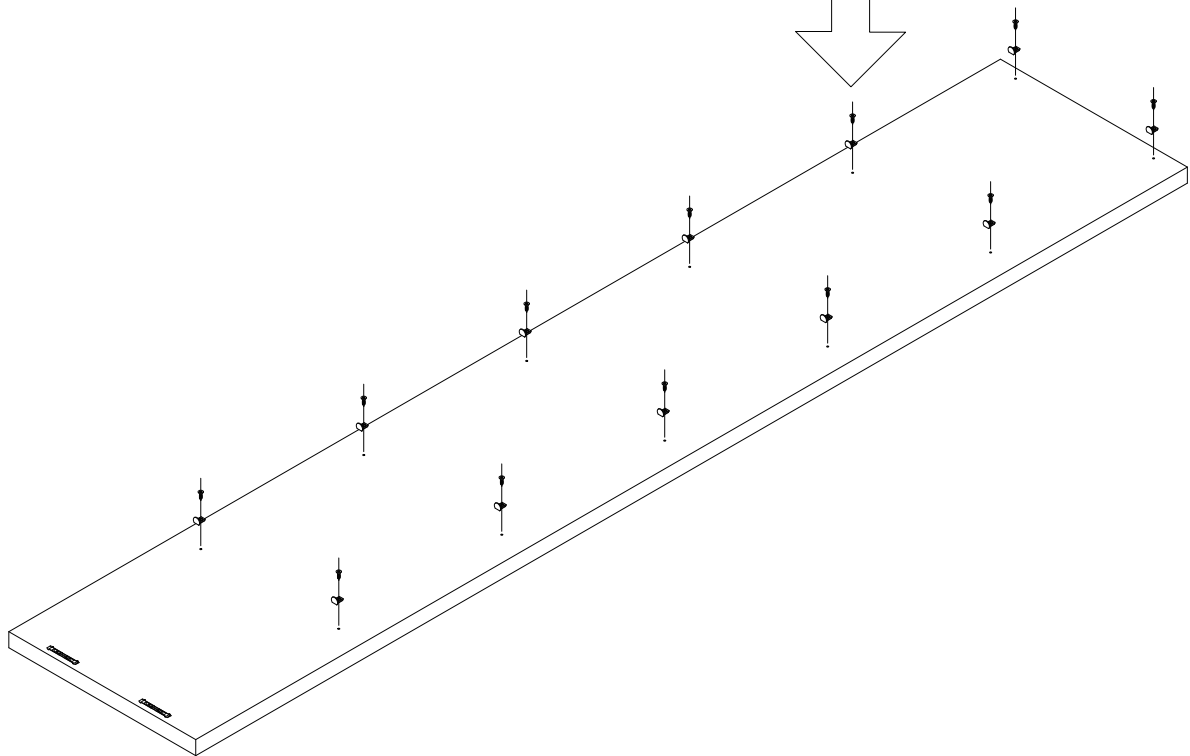
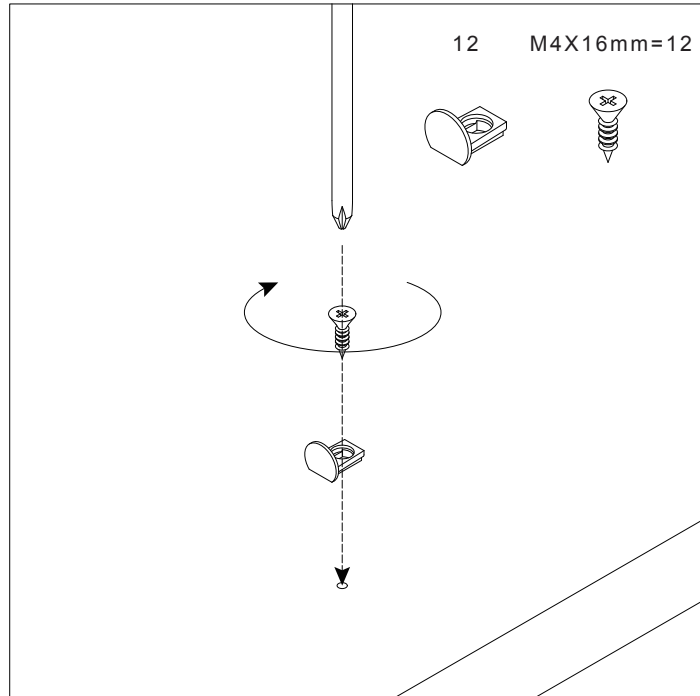
2X

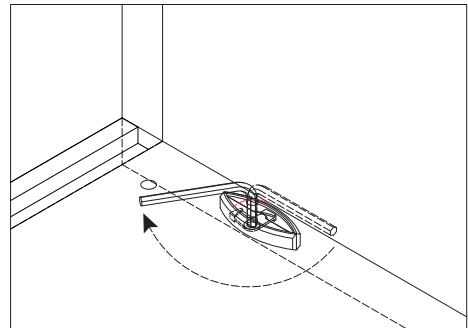
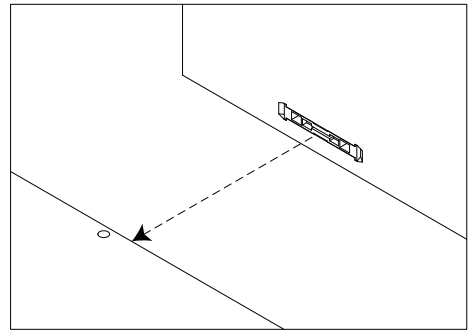
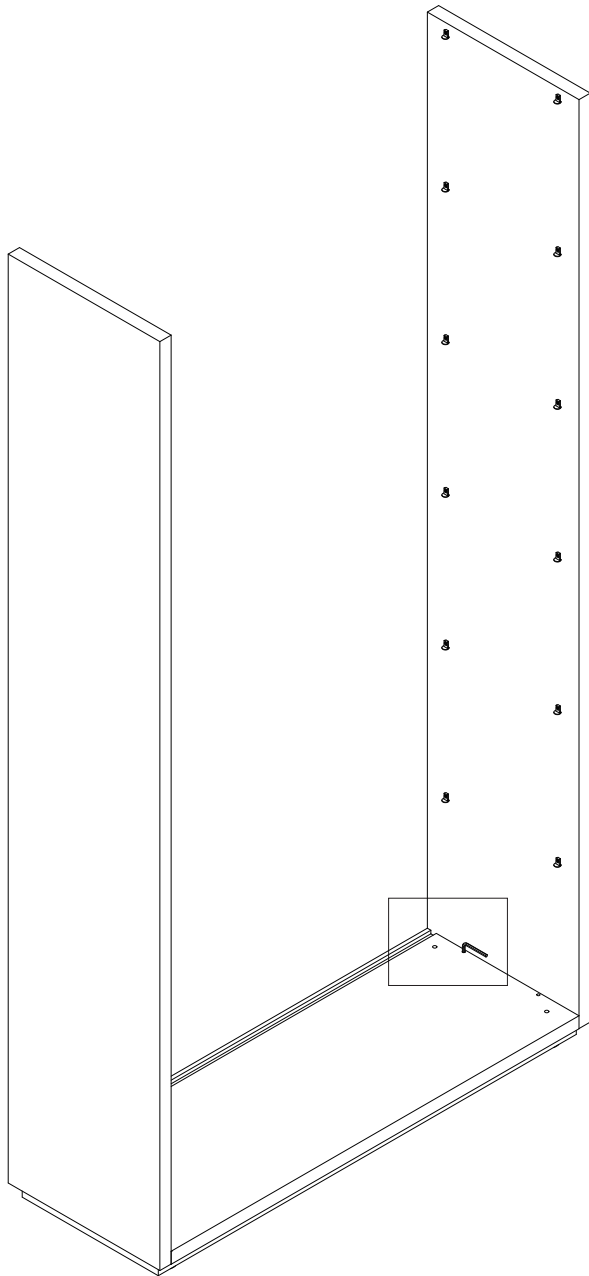


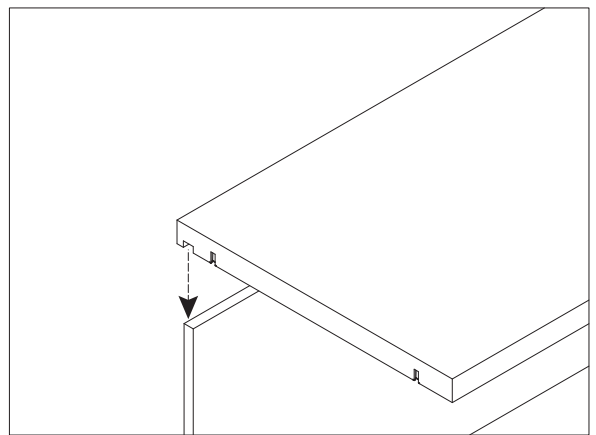
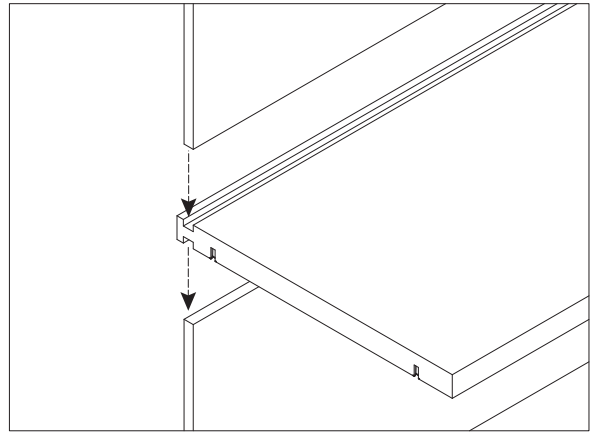
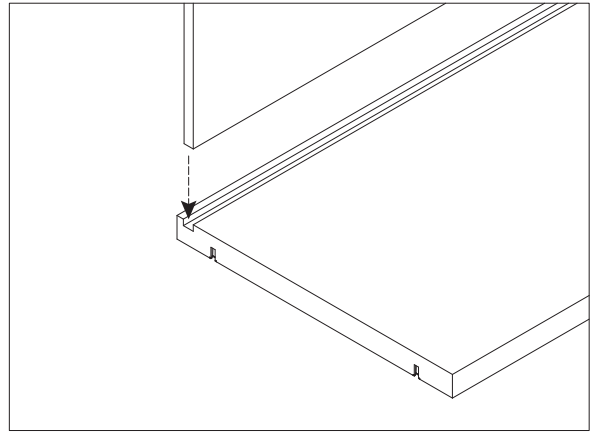
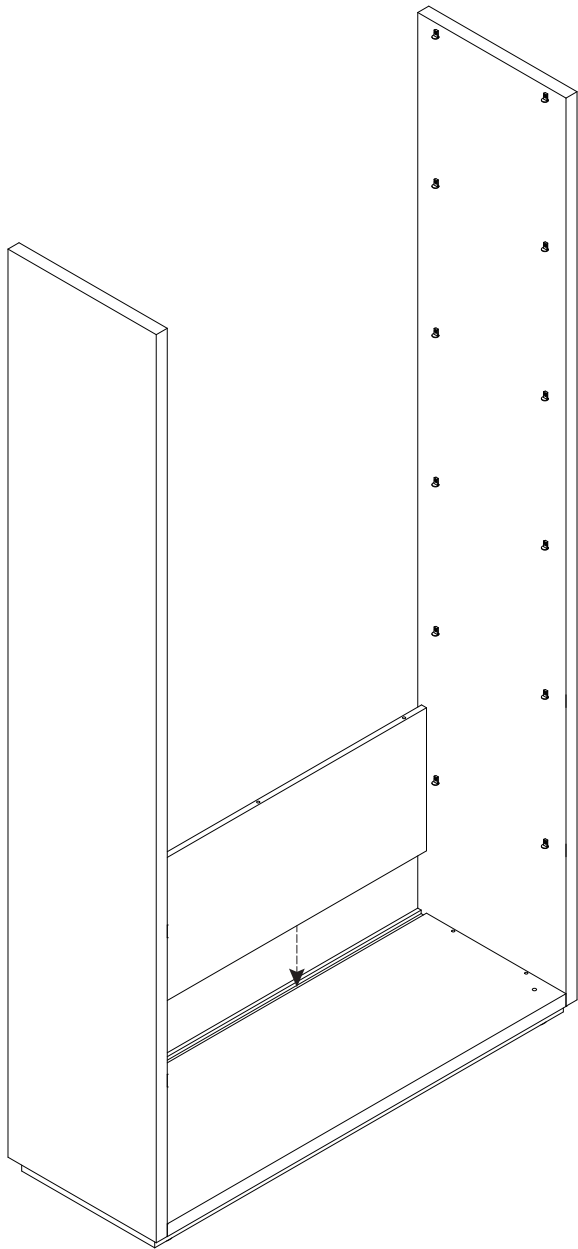
2X

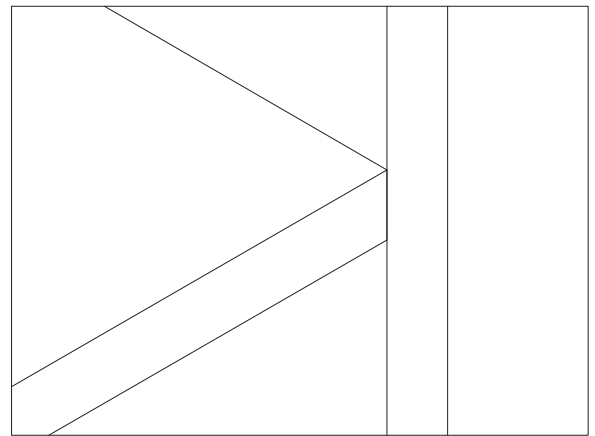
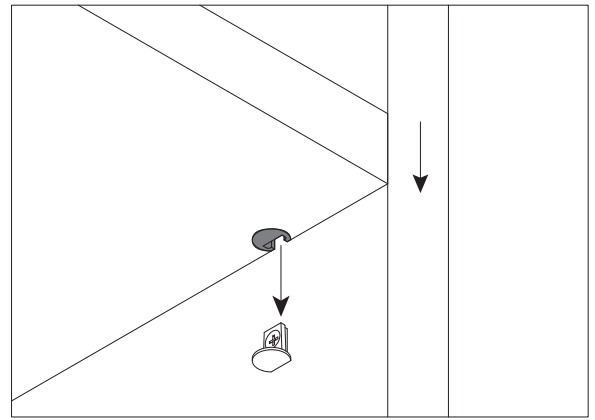
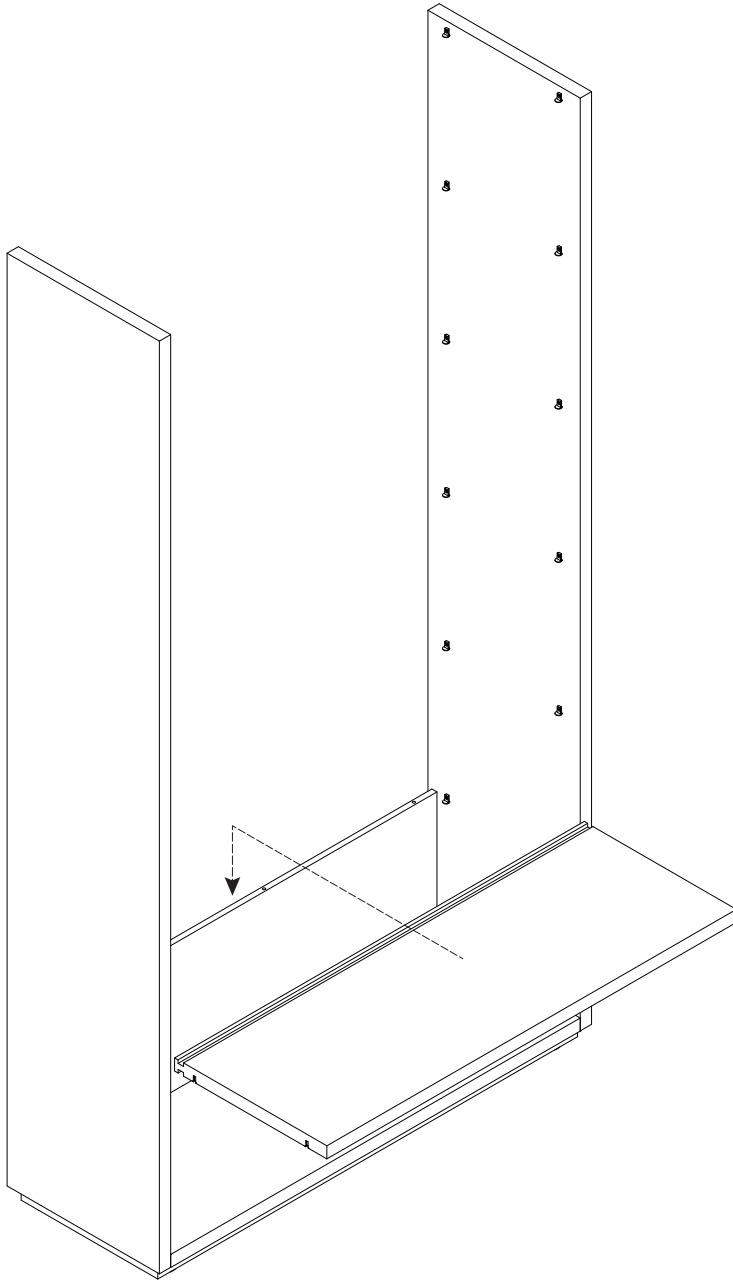


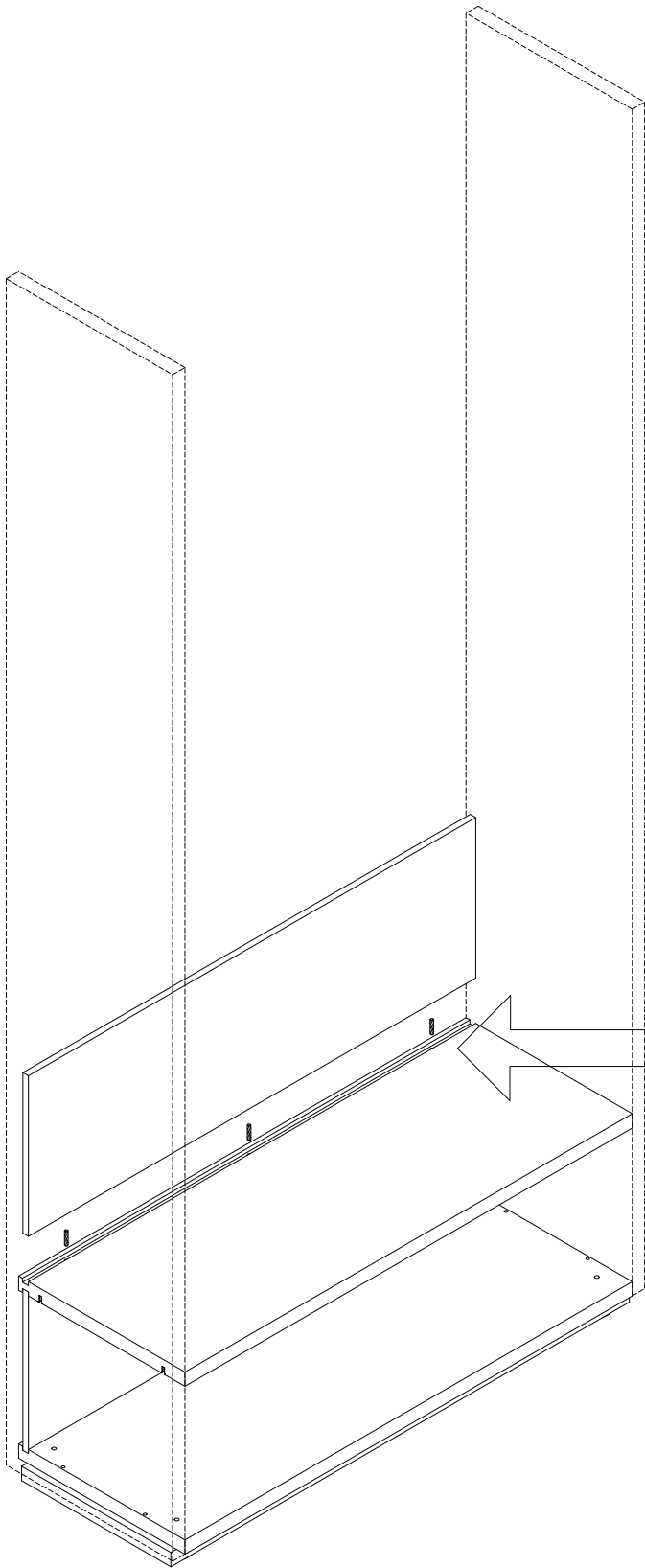




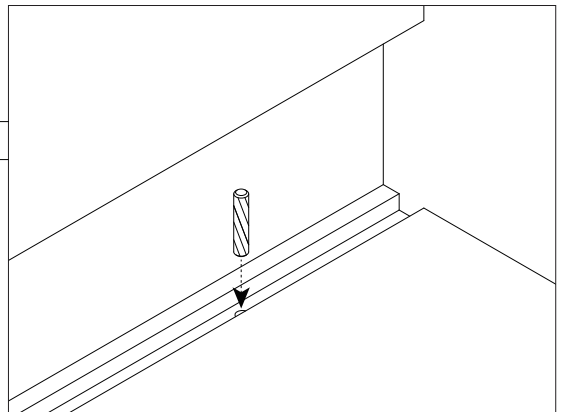


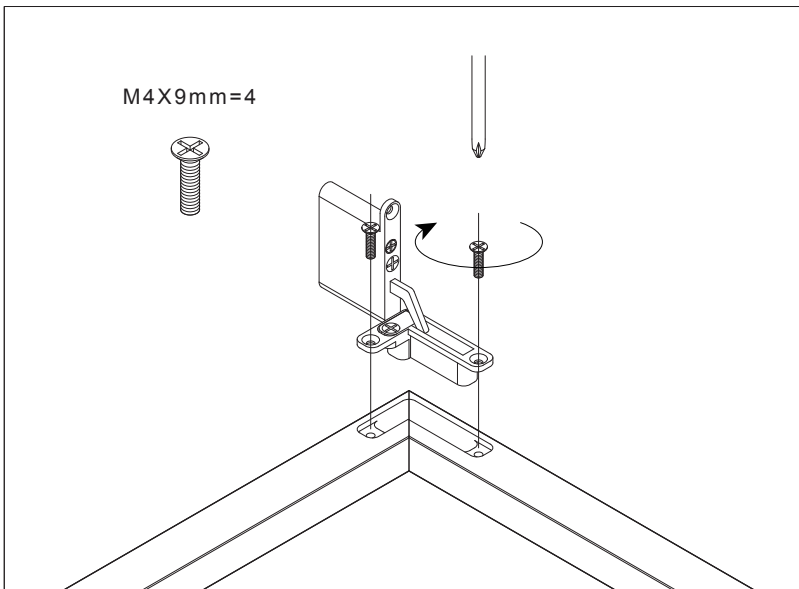
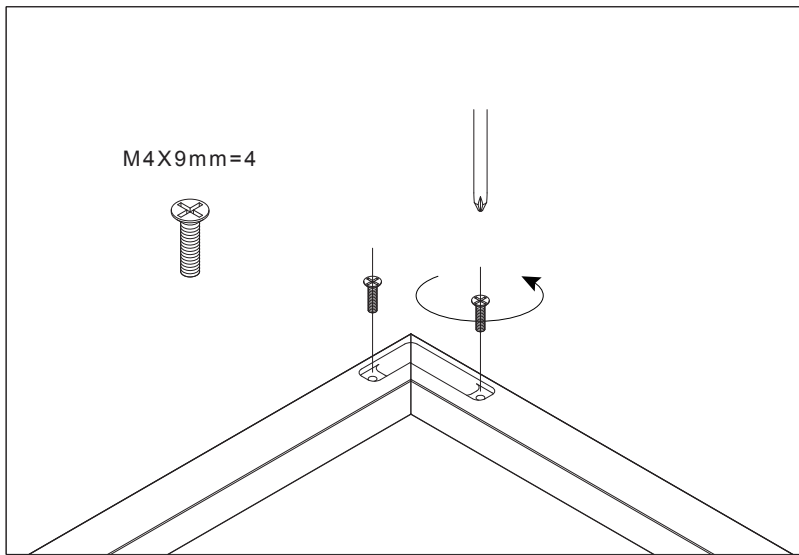
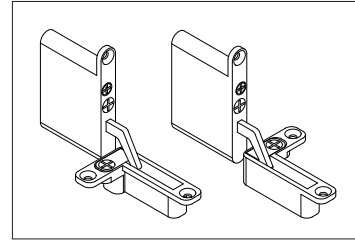
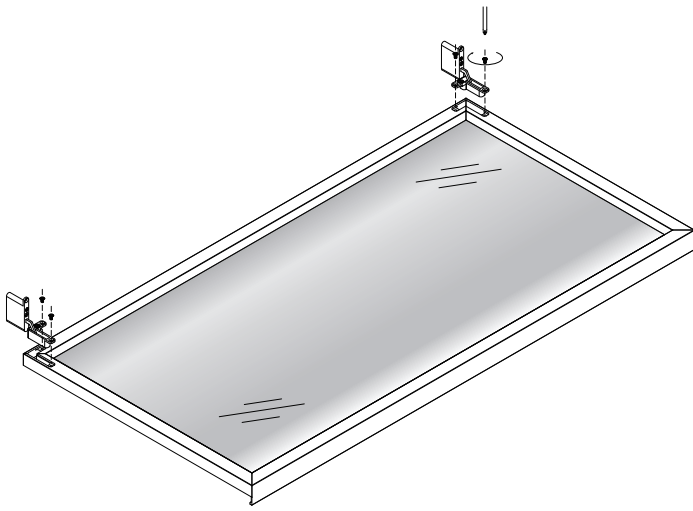


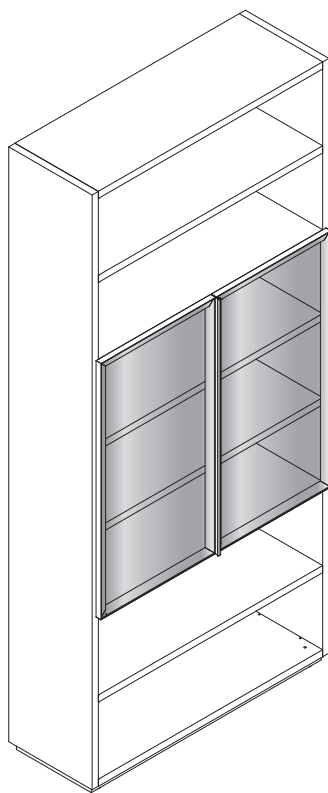
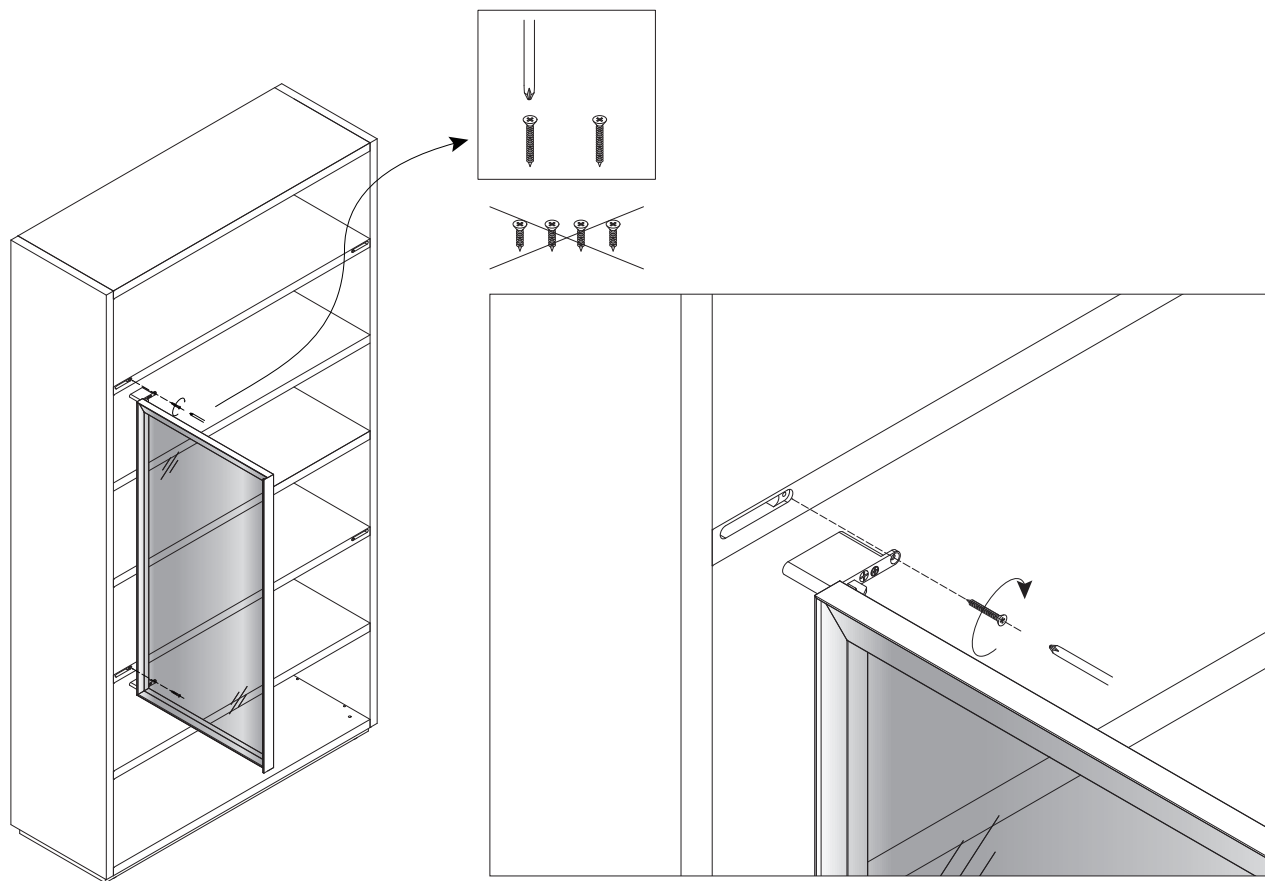


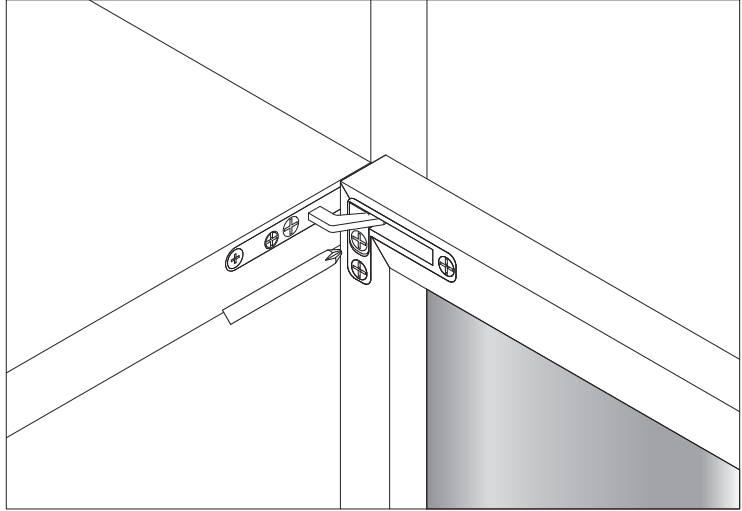
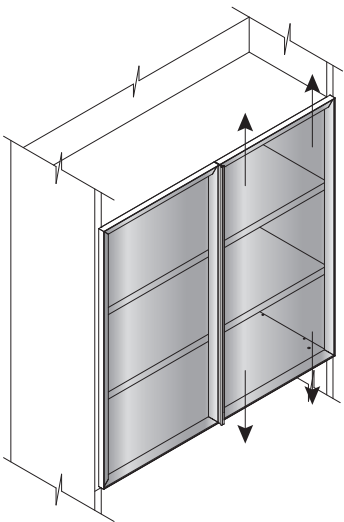
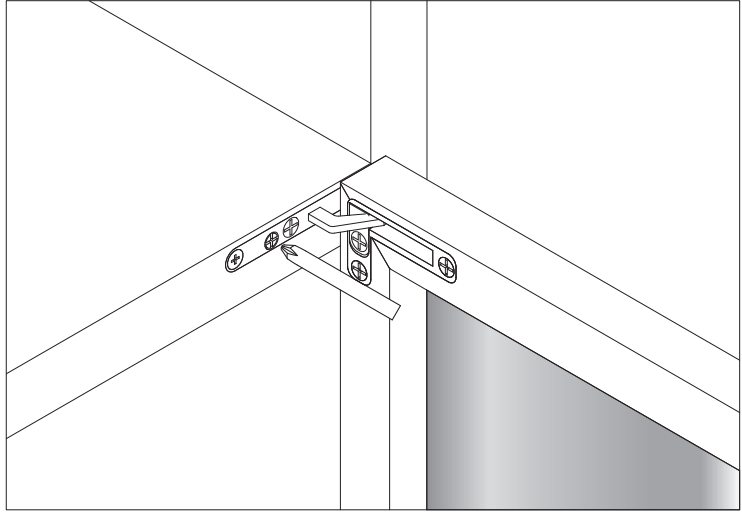
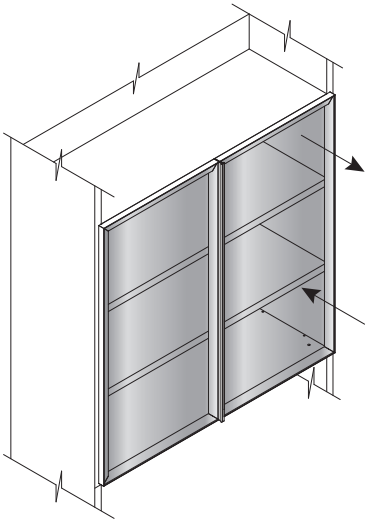
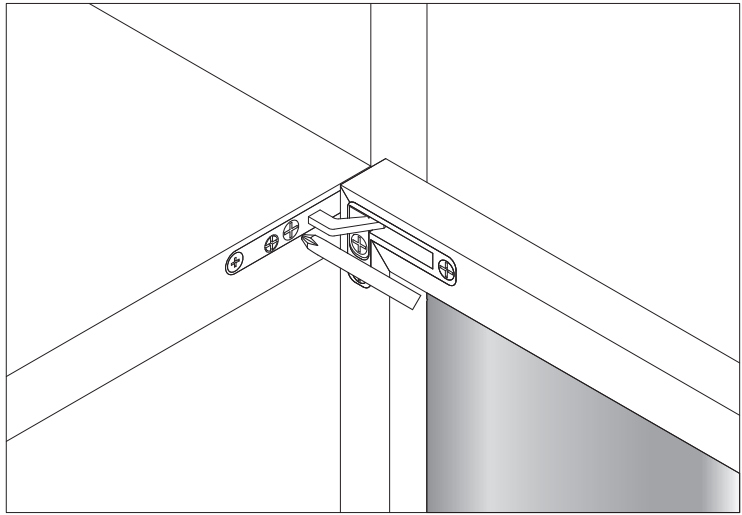
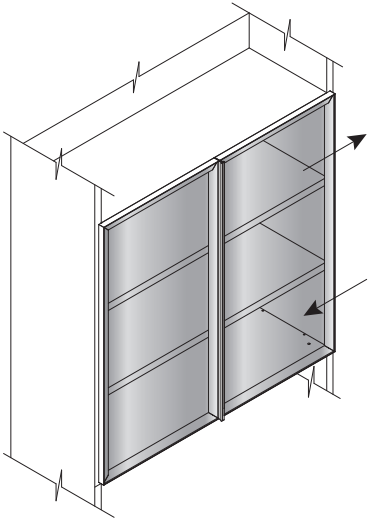


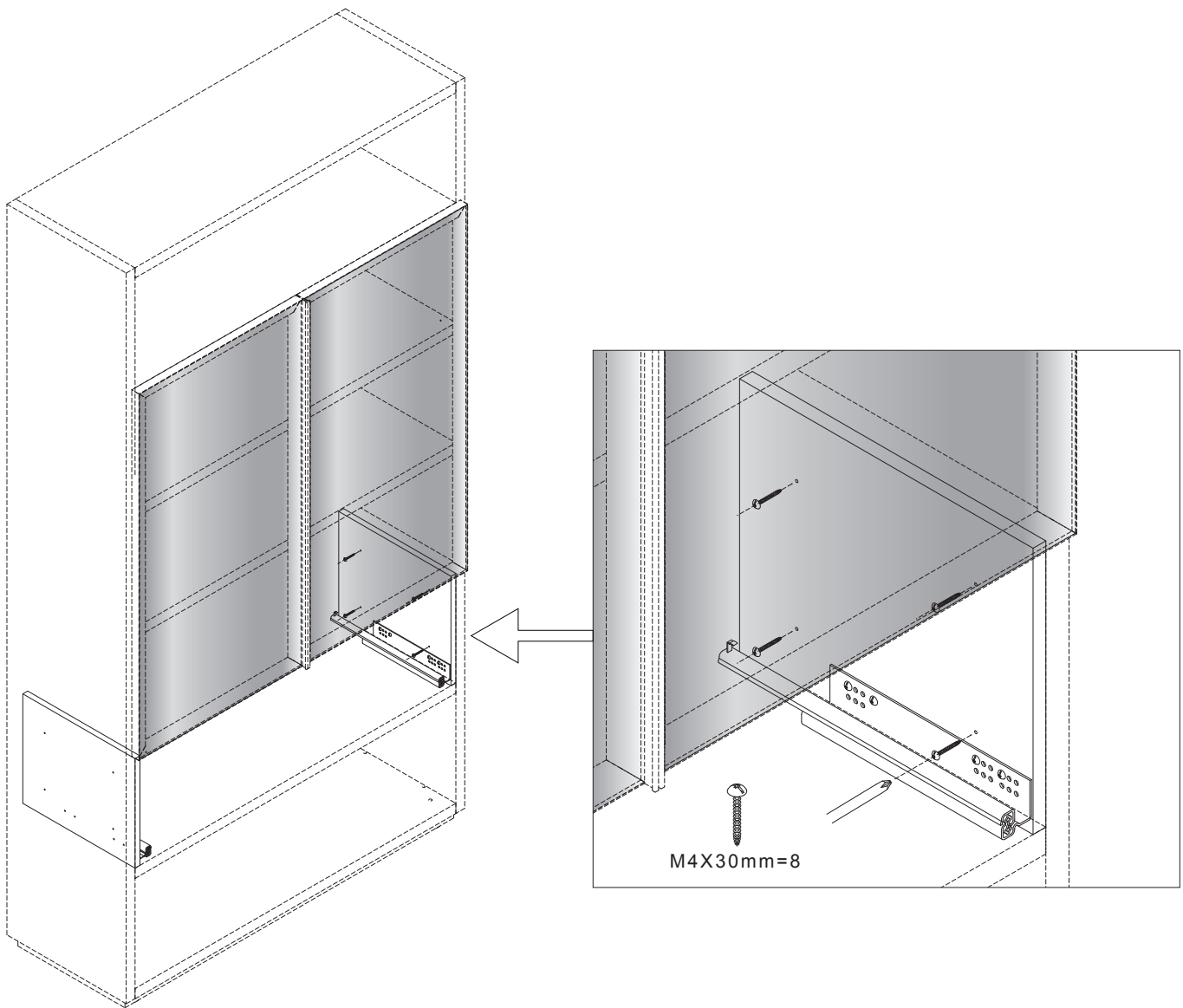
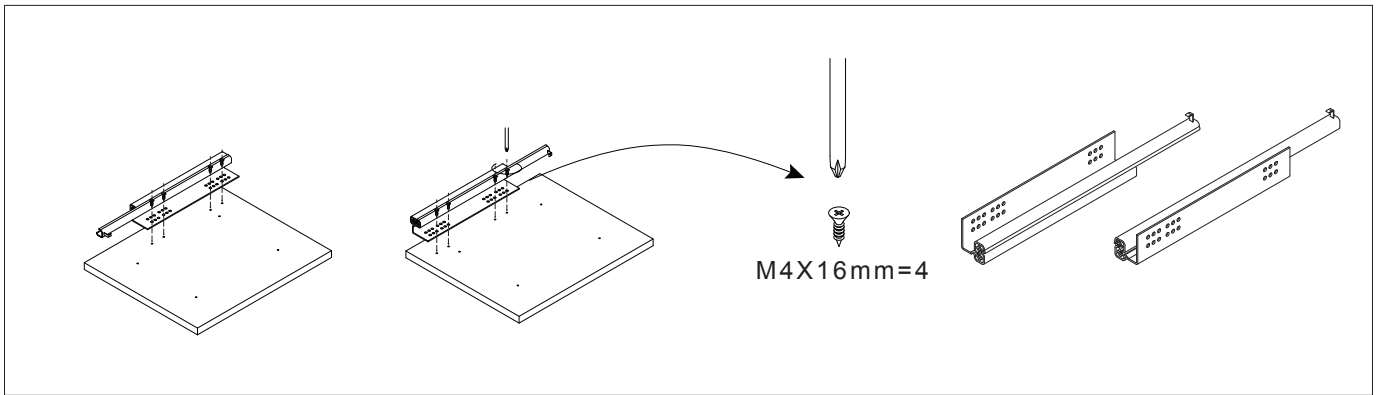
$\Phi 6 \times 30 \text{mm} = 3$

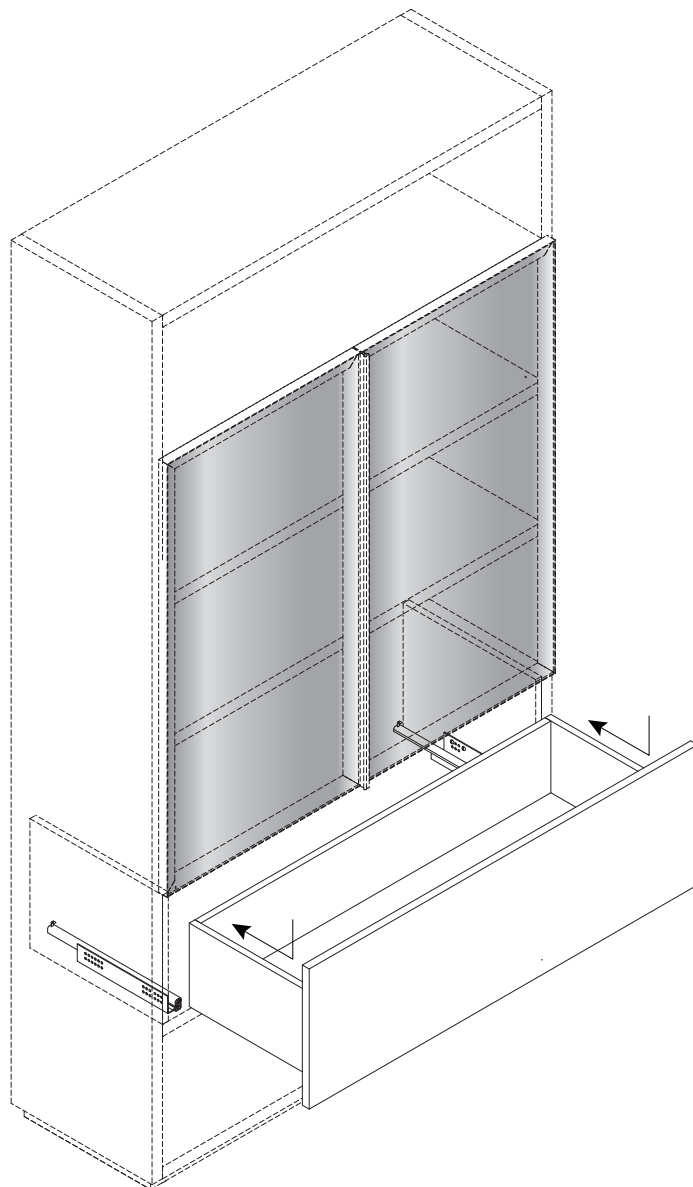
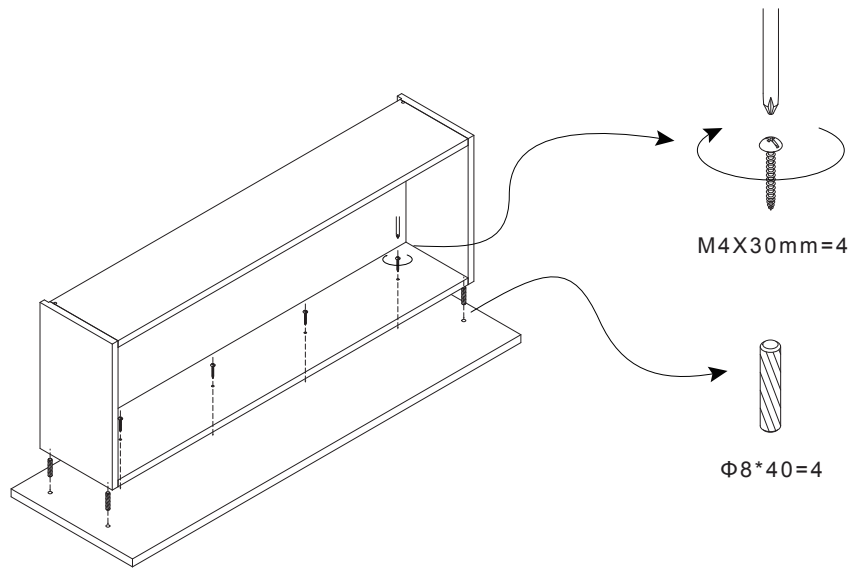


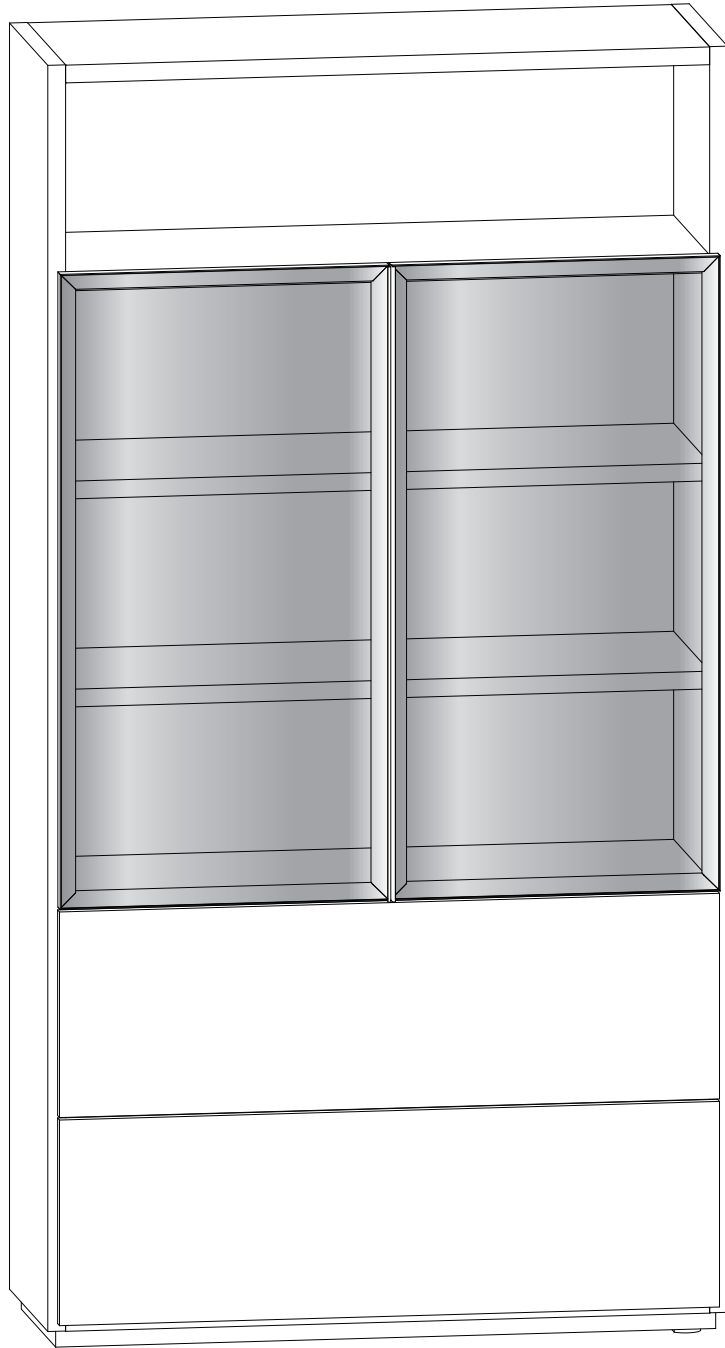














CAMERICHfurniture



camerich_official