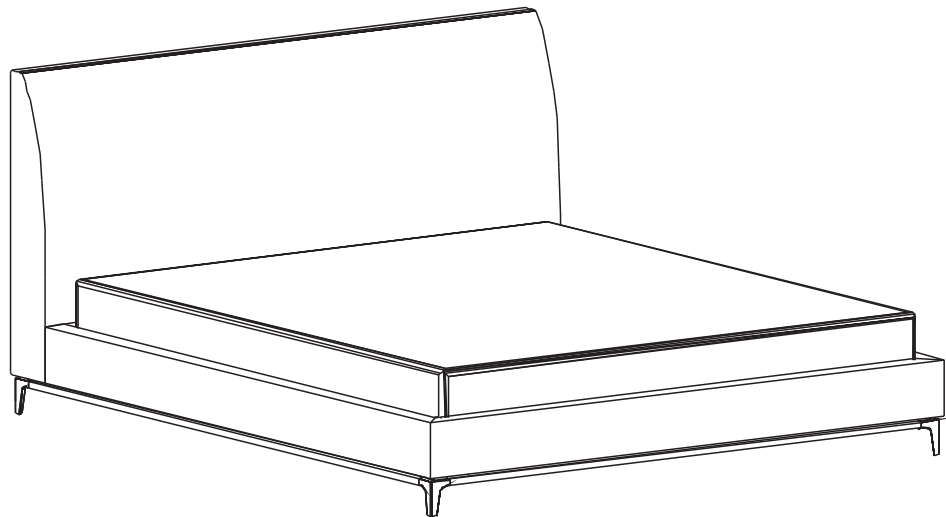


**CAMERICH**

**CRESCENT BED**

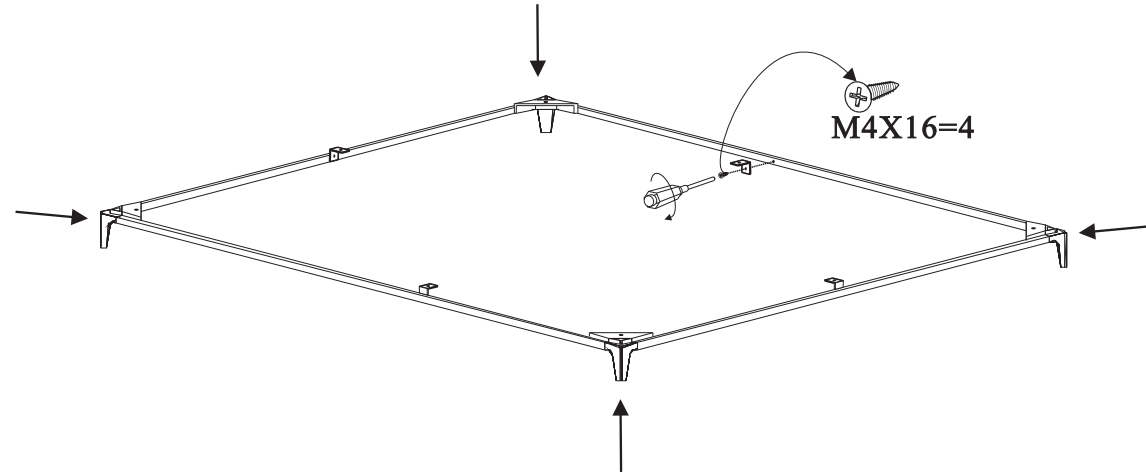
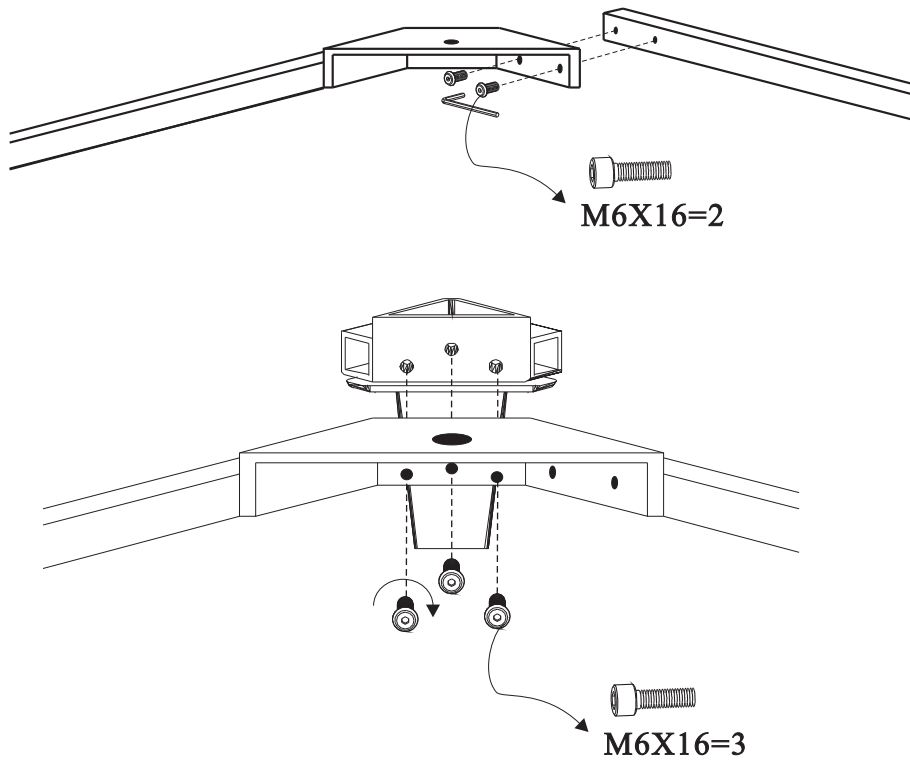
**C0330081. C0330083. C0330084. C0330085.**

Install Instruction



# CRESCENT BED

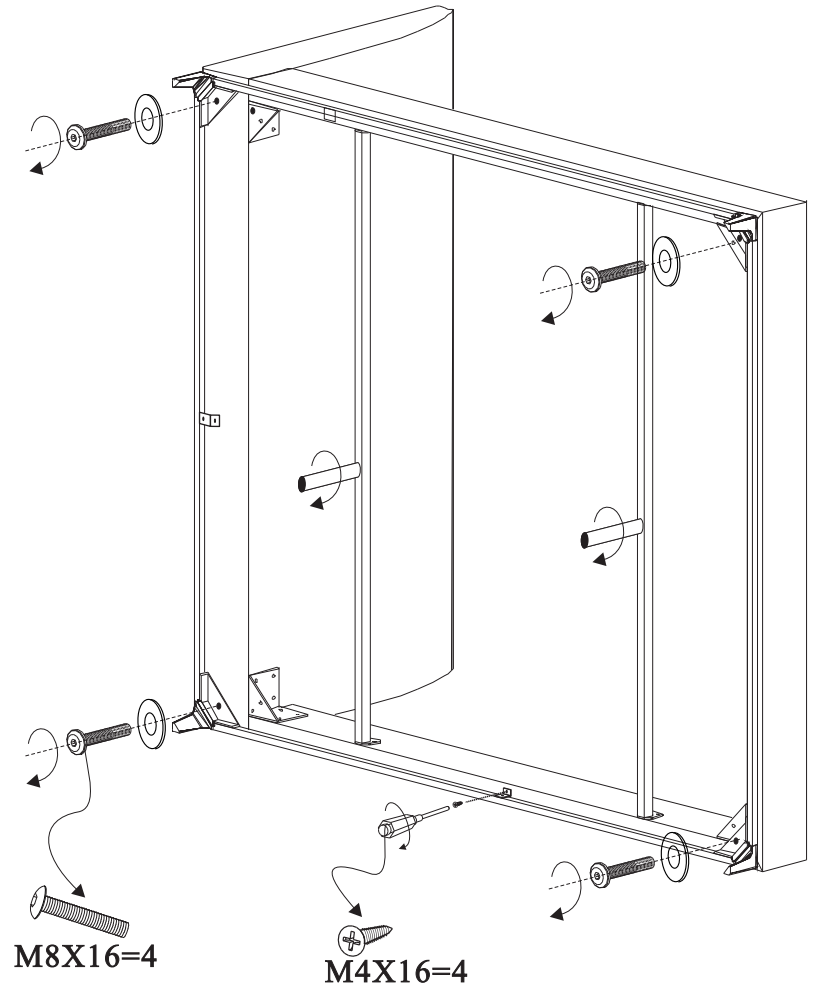
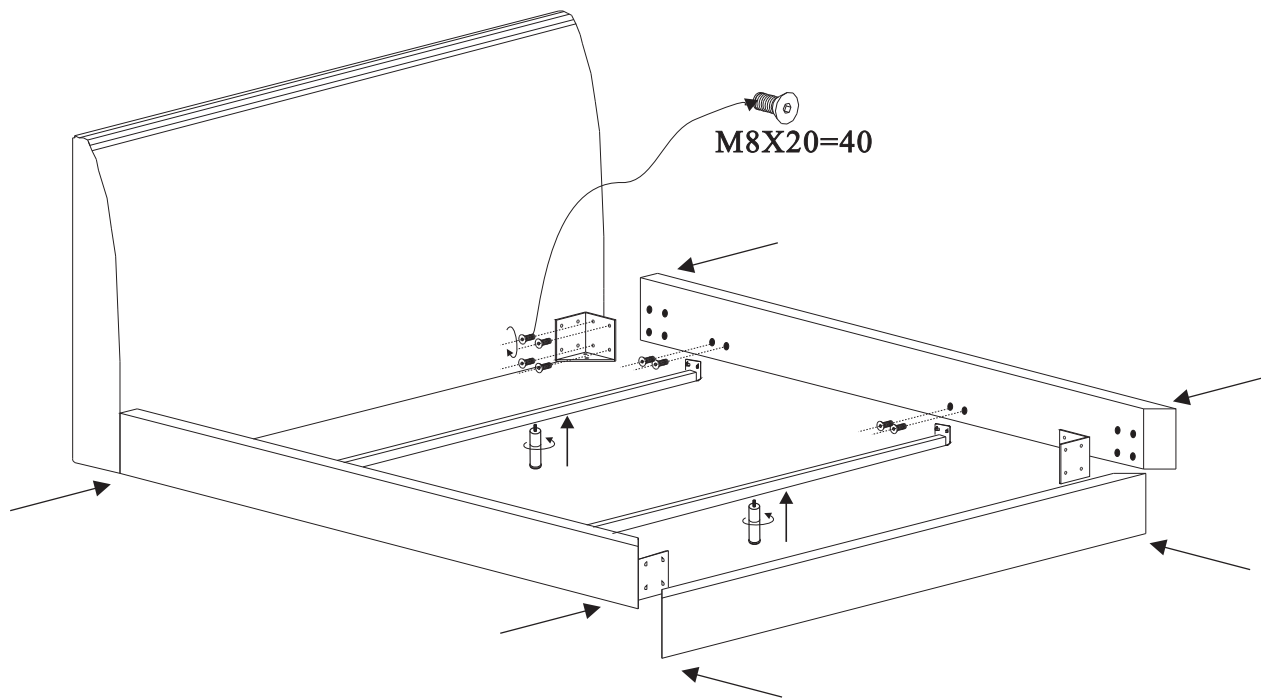
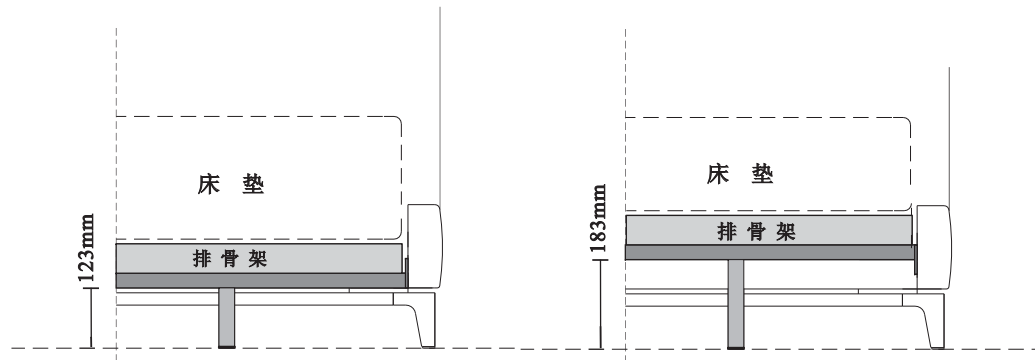
1



M8X20=40	M6X16=16	M8X16=4	M8X80=2	M4X16=8	4	4	Φ10=8	2	L=Φ32X123MM=2	L=Φ32X183MM=2	M5	4

# CRESCENT BED

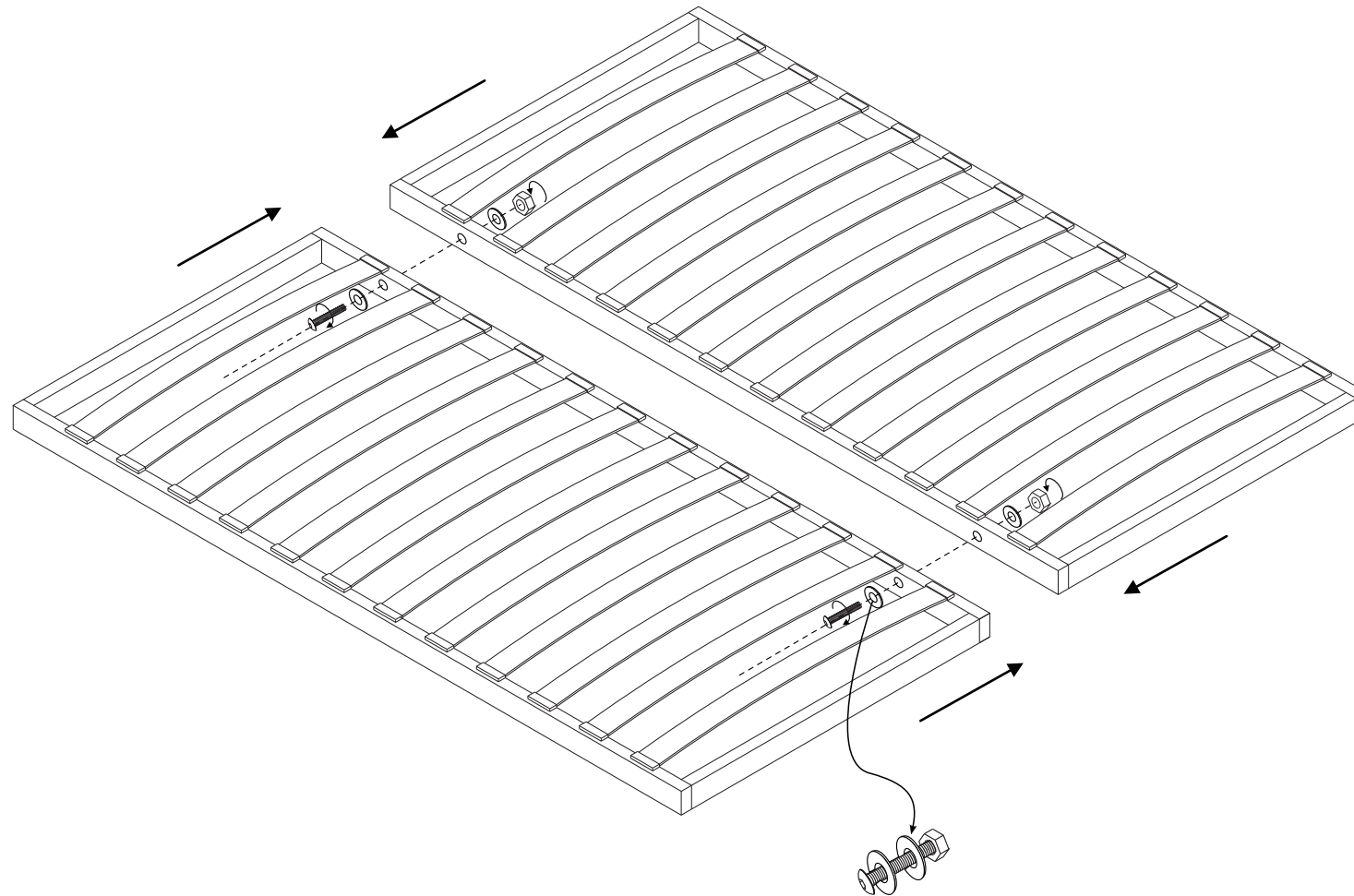
2



M8X20=40	M6X16=16	M8X16=4	M8X80=2	M4X16=8	4	4	Φ10=8	2	L=Φ32X123MM=2	L=Φ32X183MM=2	M5	4

# CRESCENT BED

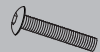
3



M8X20=40



M6X16=16



M8X16=4



M8X80=2



M4X16=8



4



4



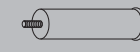
Φ10=8



2



L=Φ32X123MM=2



L=Φ32X183MM=2



M5



4