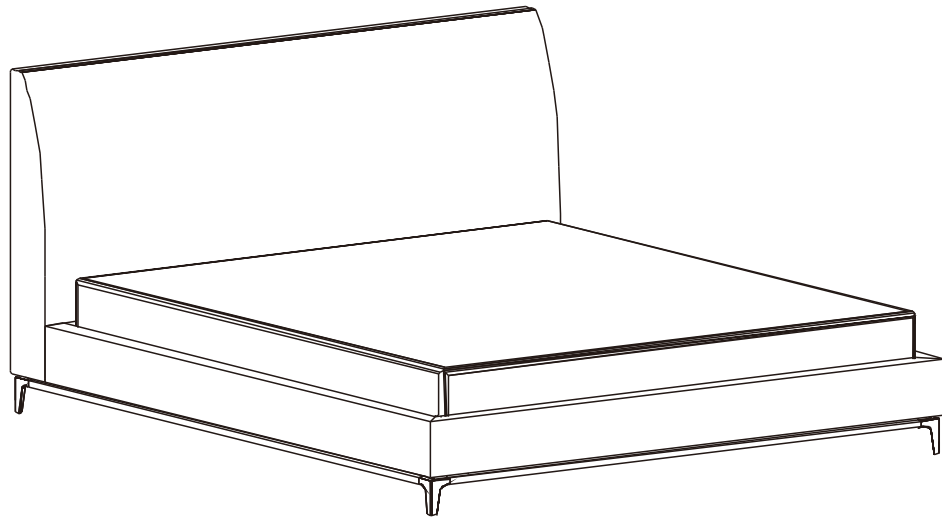


**CAMERICH**

**CRESCENT BED**

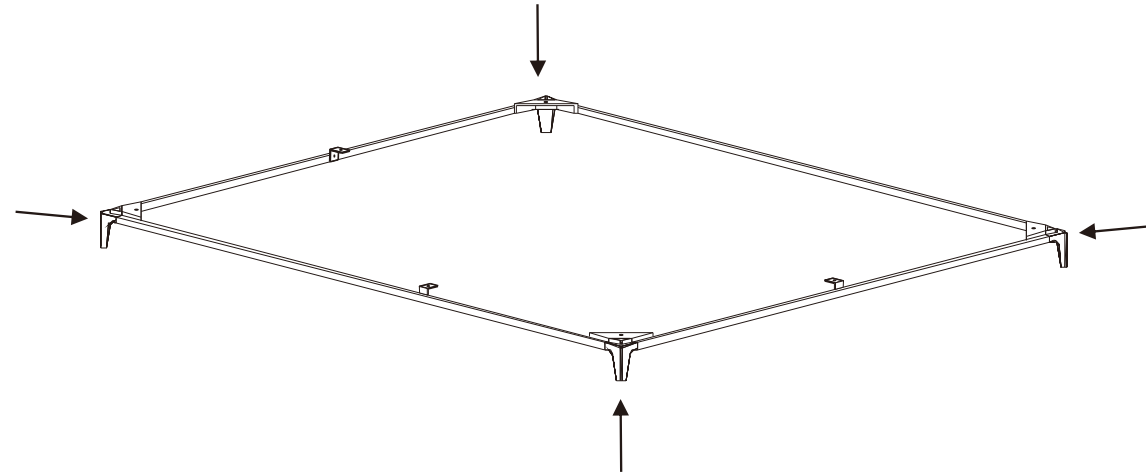
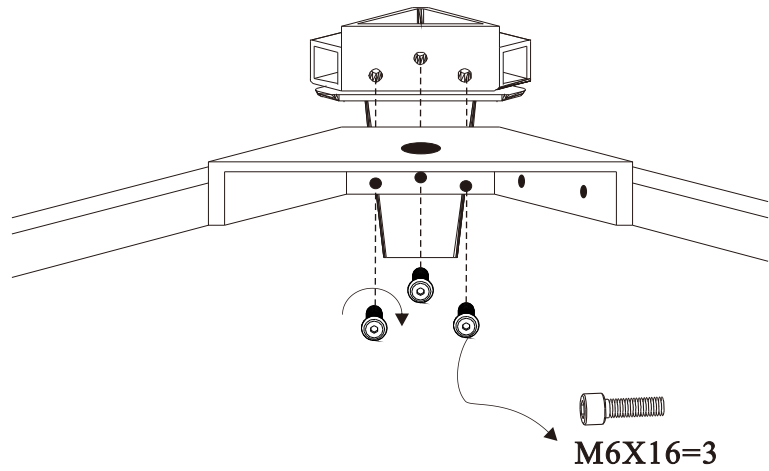
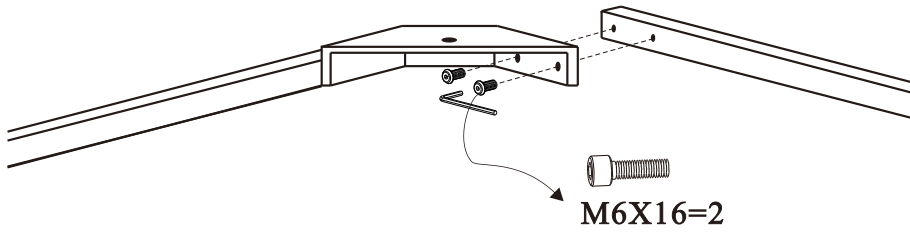
C0330081. C0330083. C0330084. C0330085.












Install Instruction



# CRESCENT BED

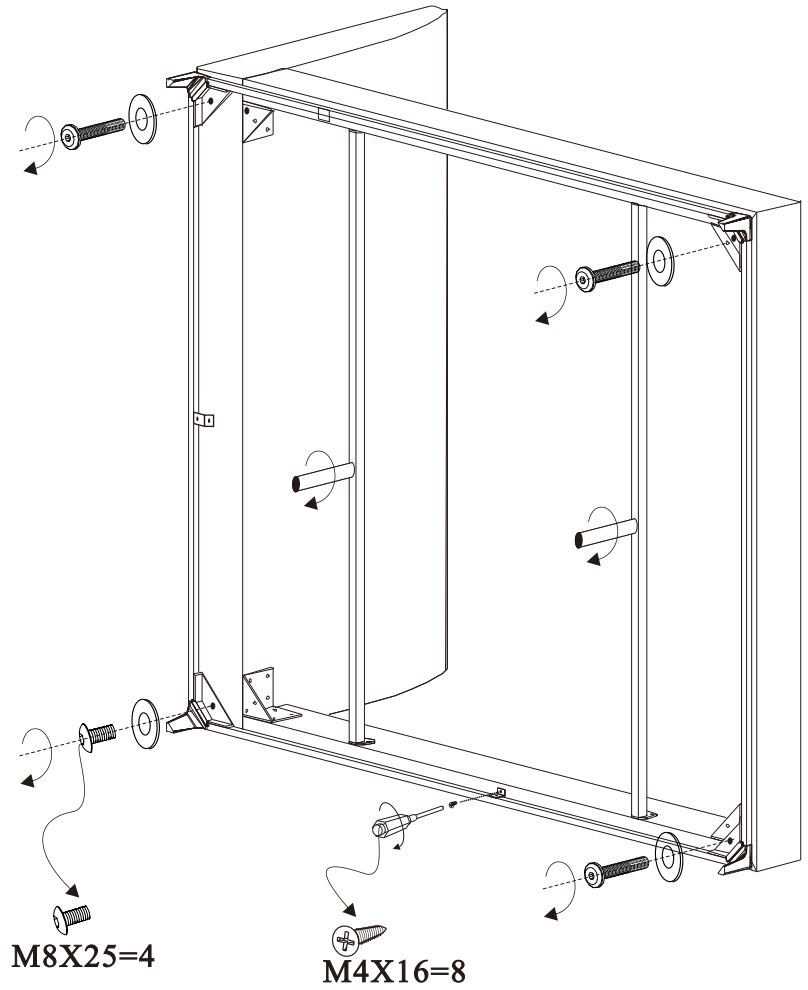
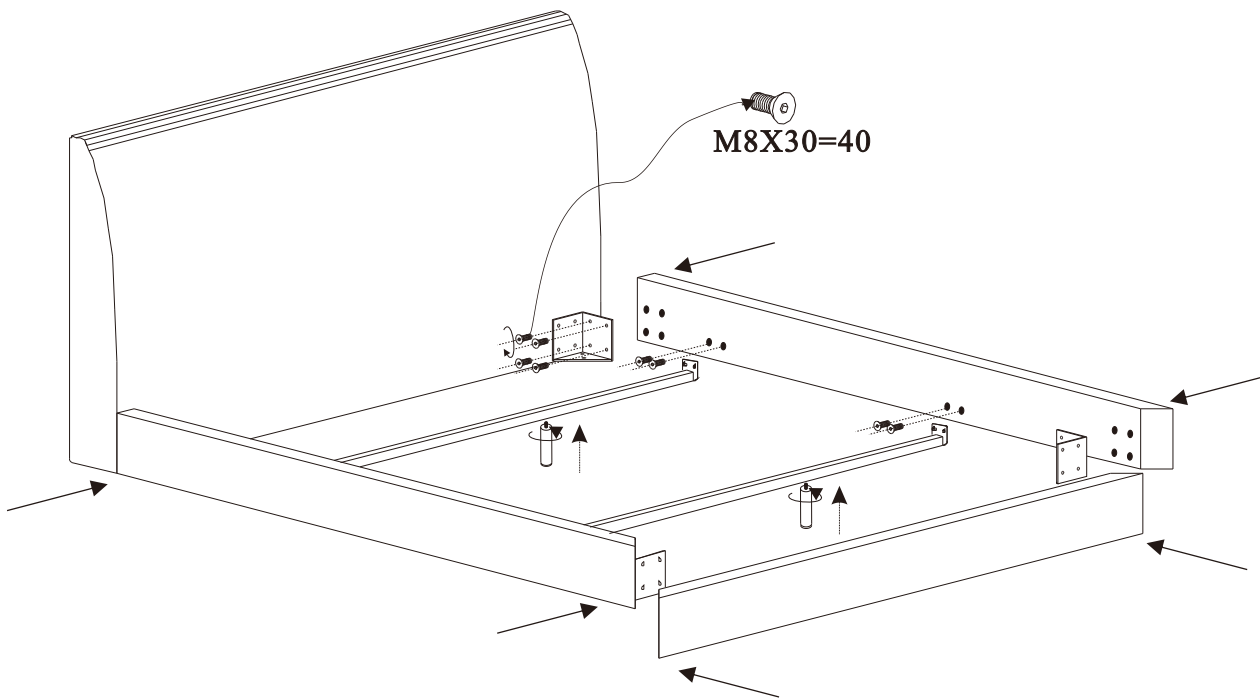
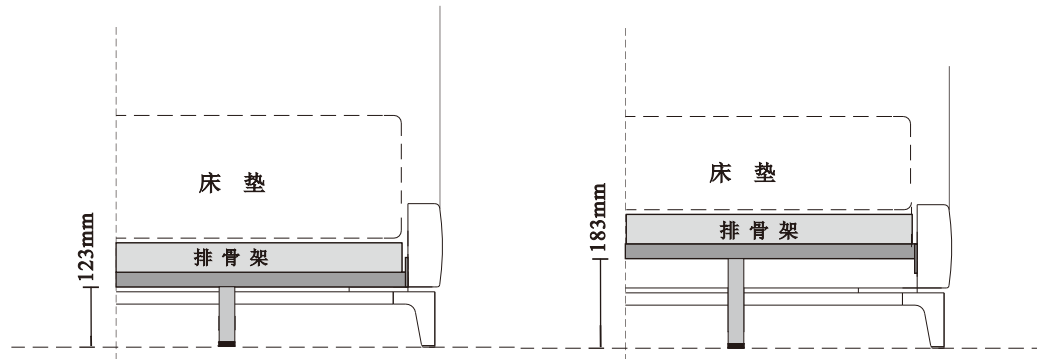
1



										
M8X30=40	M6X16=20	M8X25=4	M4X16=8	4	4	Φ10=4	L=Φ32X125MM=2	L=Φ32X185MM=2	M5	4

# CRESCENT BED

2



M8X30=40

M6X16=20

M8X25=4

M4X16=8

4

4

Φ10=4

L=Φ32X125MM=2

L=Φ32X185MM=2

M5

4