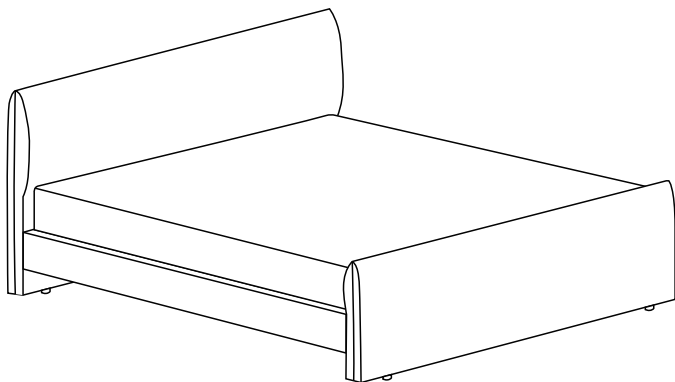


# **ERA BED PLUS**

---

C03J0501. / C03J0502. / C03J0504. / C03J0505.

Installation Instruction



**CAMERICH**

D35X125mm

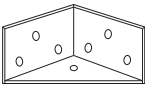
M8X30mm



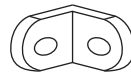
44X



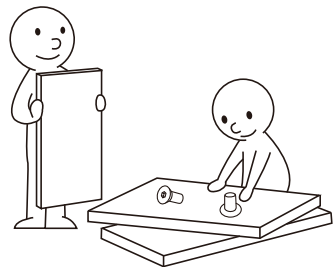
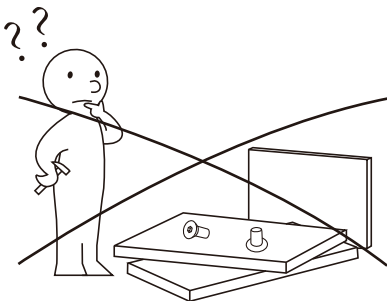
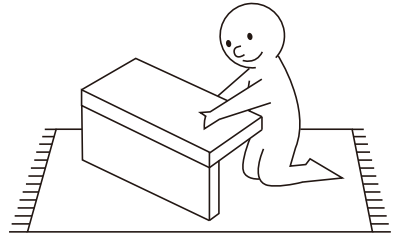
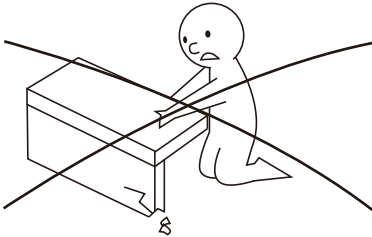
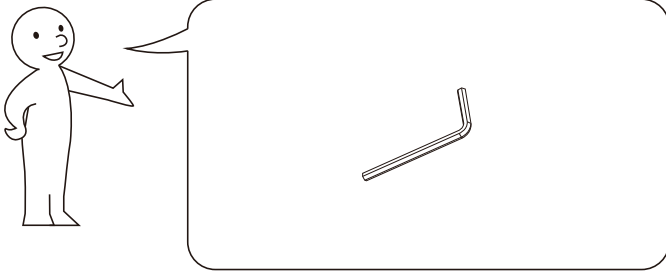
2X

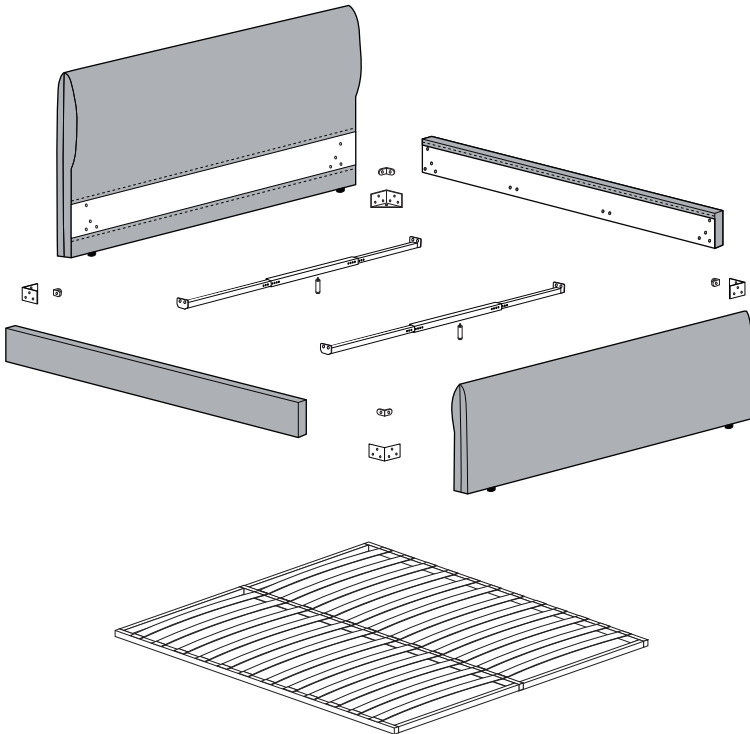
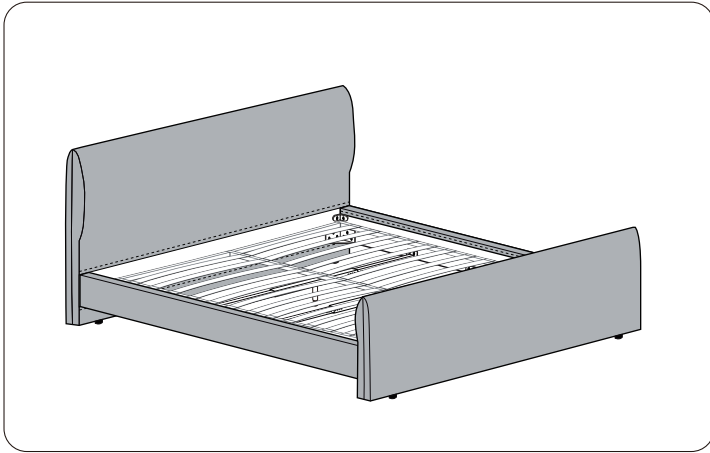


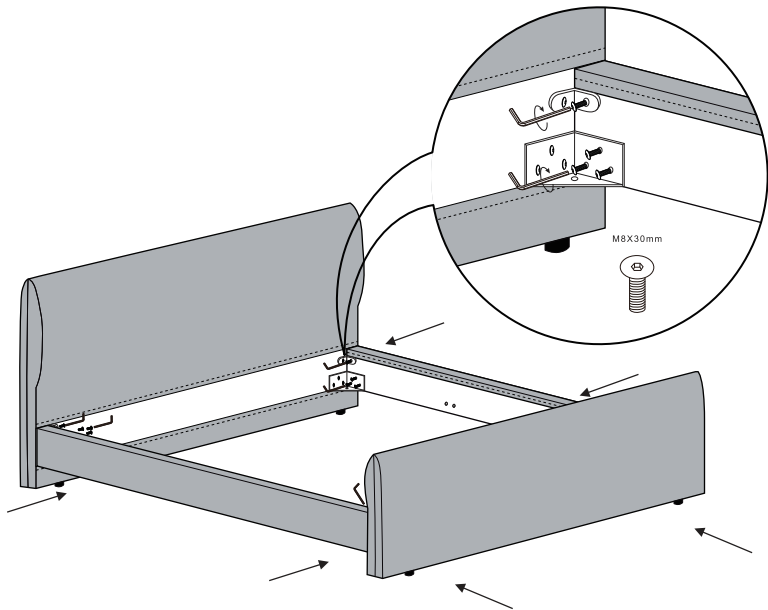
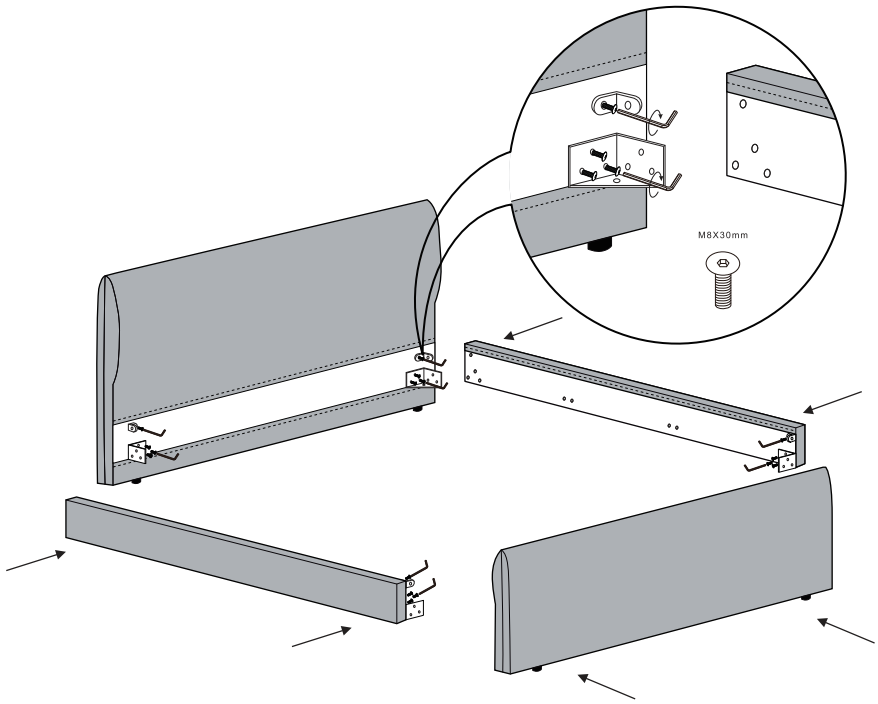
4X

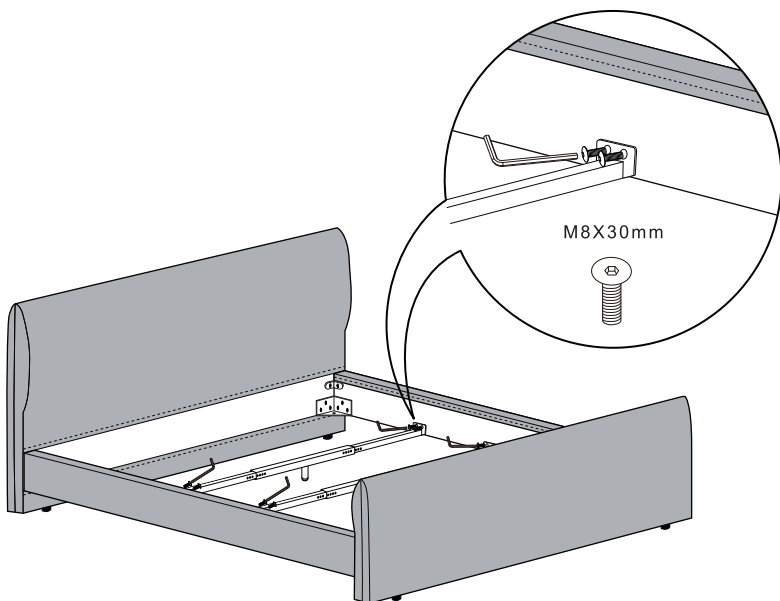
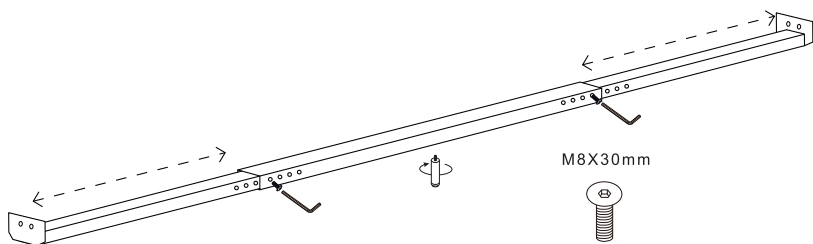


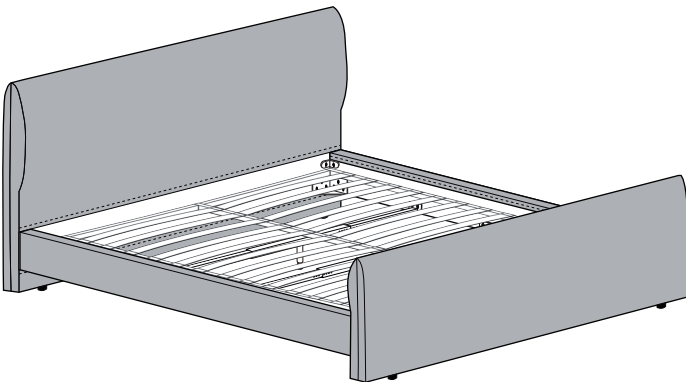
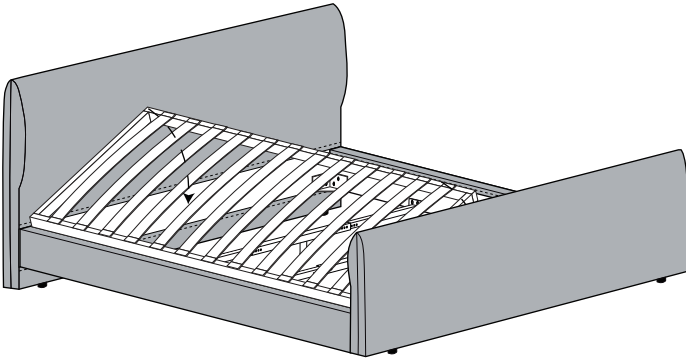
4X













CAMERICHfurniture



camerich\_official